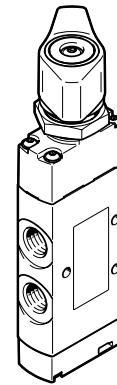
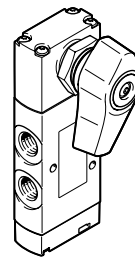
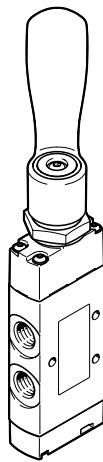
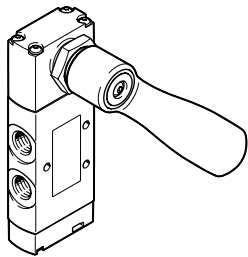
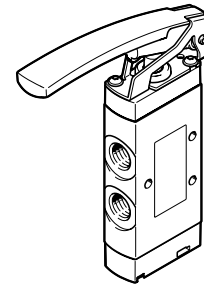
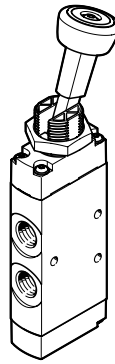
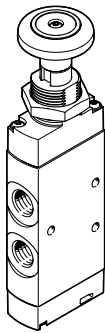


## Manually actuated valves VHEF

**FESTO**



Key features



**Innovative**

- Small and compact for a wide range of pneumatic applications
- Numerous selectable valve functions: 3/2-way and 5/2-way functions
- With flow rates of up to 1200 l/min, the valves VHEF offer outstanding pneumatic performance for a wide range of applications
- Light weight
- Minimal actuating forces

**Versatile**

- Flexibility of the pneumatic working ports provides a practical solution to different requirements
- The 3/2-way valve can be used as normally closed (NC) or normally open (NO)
- Round silencer or ducted exhaust air
- Suitable for vacuum
- Reverse operation possible
- Pressure range from vacuum to 10 bar possible
- Design:
  - Pushbutton valve
  - Toggle lever valve
  - Finger lever valve
  - Hand lever valve, sideways
  - Hand lever valve
  - Selector valve, sideways
  - Selector valve

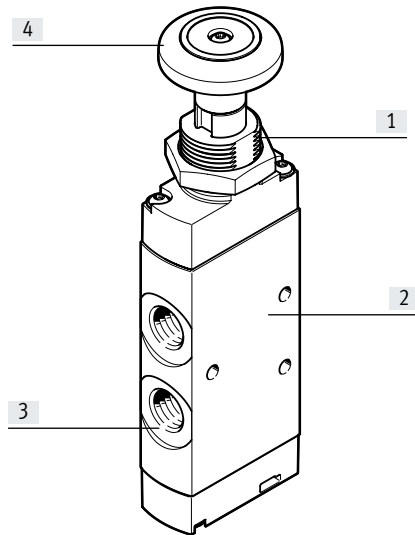
**Operational safety**

- Durable with tried-and-tested piston spool valves and poppet valves
- Robust design: basic valve made from metal with plastic cover

**Easy to install**

- Mounted using mounting holes
- Front-panel mounting possible for nearly all valves (not possible for finger lever valve)

## Key features



- [1] Front-panel mounting possible
- [2] Quick to mount: via retaining bracket or screwed in directly via through-hole
- [3] Practical connection with threaded connection or connecting pieces
- [4] Manually operated

## Equipment options

## Common features

- Mechanical spring
- Vacuum operation possible
- Reversible
- Directly actuated
- Ducted exhaust air

## Differences

## 3/2-way valve

## monostable (M32)

- Normally open/closed (NO, NC)
  - Non-detenting (monostable)
- bistable (B32)
- Detenting (bistable)

## 5/2-way valve

## monostable (M52)

- resetting
  - Non-detenting (monostable)
- bistable (B32)
- Detenting (bistable)

## 5/3-way valve

## detenting (B53C)

- Mid-position closed
- detenting (B53E)
- Mid-position exhausted

## 5/3-way valve

## non-detenting (P53C)

- Mid-position closed
- non-detenting (P53E)
- Mid-position exhausted

## Valve selection

→ Internet: [www.festo.com](http://www.festo.com)

You can order mechanically and manually operated directional control valves using the order code:

Ordering system for valves

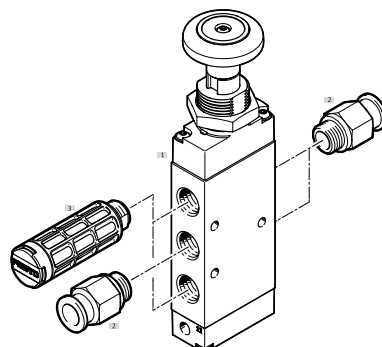
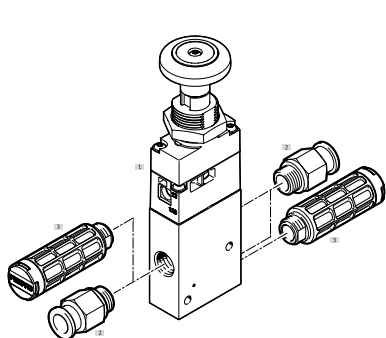
→ Internet: [vhf](http://vhf)

## Peripherals overview

### Pushbutton valve, manually operated

3/2-way valve

5/2-way valve

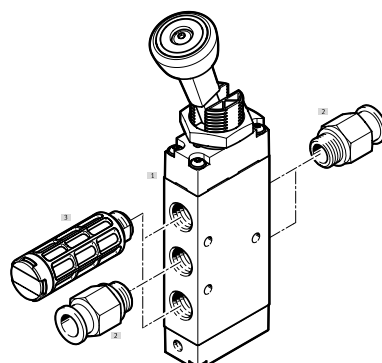
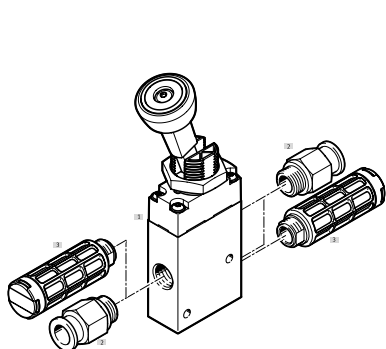


		Brief description	→ Page/Internet
[1]	3/2-way valve	VHEF-PTC-M32... , VHEF-PTCZ-M32...	12
	5/2-way valve	VHEF-P-M52...	13
[2]	Fitting	For supply air/exhaust ports (1, 3, 5) and working ports (2, 4)	52
[3]	Silencers	For exhaust ports (3, 5)	52

### Toggle lever valve, manually operated

3/2-way valve

5/2-way valve



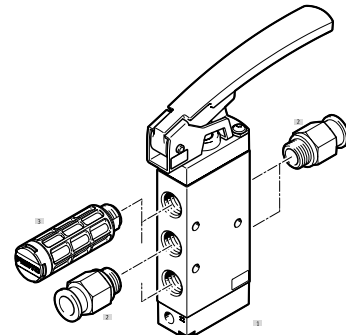
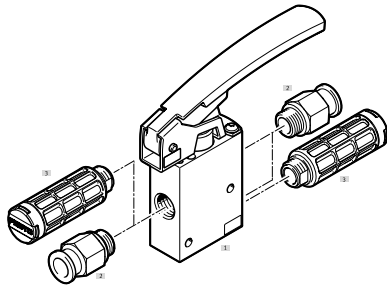
		Brief description	→ Page/Internet
[1]	3/2-way valve	VHEF-VT-M32... , VHEF-VT-B32...	19
	5/2-way valve	VHEF-V-M52... , VHEF-V-B52...	20
[2]	Fitting	For supply air/exhaust ports (1, 3, 5) and working ports (2, 4)	52
[3]	Silencers	For exhaust ports (3, 5)	52

## Peripherals overview

### Finger lever valve, manually operated

3/2-way valve

5/2-way valve

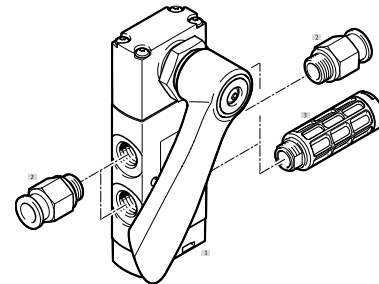
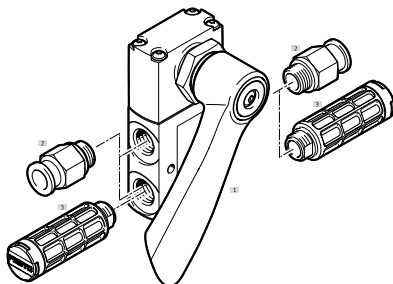


		Brief description	→ Page/Internet
[1]	3/2-way valve	VHEF-LT-M32...	25
	5/2-way valve	VHEF-L-M52...	26
[2]	Fitting	For supply air/exhaust ports (1, 3, 5) and working ports (2, 4)	52
[3]	Silencers	For exhaust ports (3, 5)	52

### Hand lever valve, sideways, manually operated

3/2-way valve

5/2-way valve, 5/3-way valve



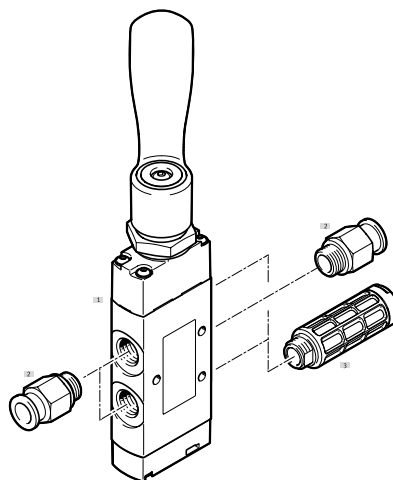
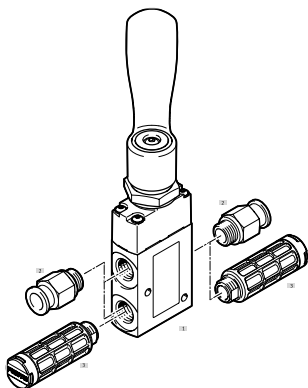
		Brief description	→ Page/Internet
[1]	3/2-way valve	VHEF-HST...32...	30
	5/2- or 5/3-way valve	VHEF-HS...52..., VHEF-HS...53...	31
[2]	Fitting	For supply air/exhaust ports (1, 3, 5) and working ports (2, 4)	52
[3]	Silencers	For exhaust ports (3, 5)	52

## Peripherals overview

### Hand lever valve, manually operated

3/2-way valve

5/2-way valve, 5/3-way valve

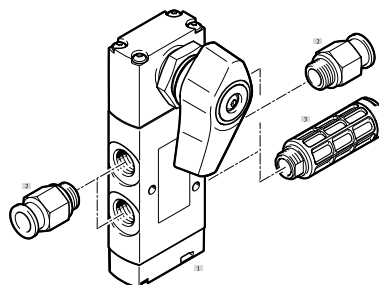
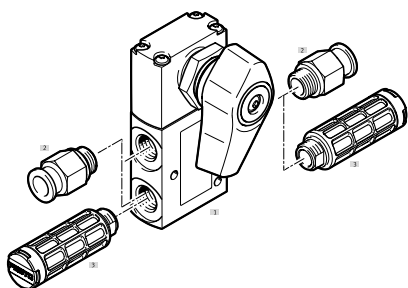


		Brief description	→ Page/Internet
[1]	3/2-way valve	VHEF-HT...32...	35
	5/2- or 5/3-way valve	VHEF-H...52..., VHEF-H...53...	36
[2]	Fitting	For supply air/exhaust ports (1, 3, 5) and working ports (2, 4)	52
[3]	Silencers	For exhaust ports (3, 5)	52

### Selector valve, sideways, manually operated

3/2-way valve

5/2-way valve, 5/3-way valve



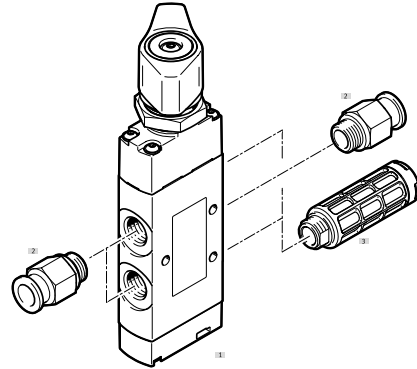
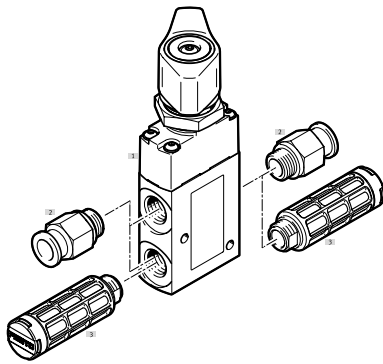
		Brief description	→ Page/Internet
[1]	3/2-way valve	VHEF-EST...32...	41
	5/2- or 5/3-way valve	VHEF-ES...52..., VHEF-ES...53...	42
[2]	Fitting	For supply air/exhaust ports (1, 3, 5) and working ports (2, 4)	52
[3]	Silencers	For exhaust ports (3, 5)	52

## Peripherals overview

### Selector valve, manually operated

3/2-way valve

5/2-way valve, 5/3-way valve



		Brief description	→ Page/Internet
[1]	3/2-way valve	VHEF-ET...32...	46
	5/2- or 5/3-way valve	VHEF-E...52..., VHEF-E...53...	47
[2]	Fitting	For supply air/exhaust ports (1, 3, 5) and working ports (2, 4)	52
[3]	Silencers	For exhaust ports (3, 5)	52

## Key features

### Manually operated valves

Manually operated valves are used in all industrial sectors, as well as in the skilled trades. They are used to carry out simple processes such as clamping or closing safety doors.

The valves are either resetting or non-resetting depending on the required actuation (pushing, rotating/swivelling or tilting). The valves are directly or indirectly actuated.

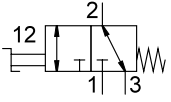
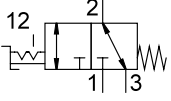
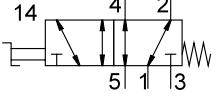
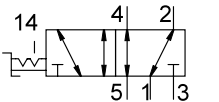
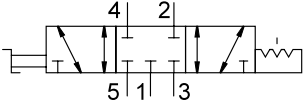
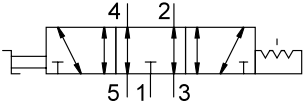
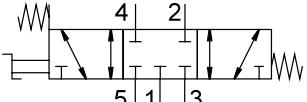
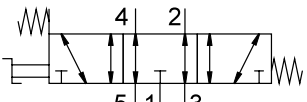
Valve functions Circuit symbol	Type	Description
<p>Pushbutton valve</p>	VHEF-PTC-M32-M-...	<p>3/2-way valve, monostable</p> <ul style="list-style-type: none"> <li>• Normally closed (1 → 2)</li> <li>• Normally open (3 → 2)</li> <li>• Mechanical spring return</li> <li>• Pneumatically piloted, internal pilot air</li> <li>• Reversible</li> </ul>
	VHEF-PTCZ-M32-M-...	<p>3/2-way valve, monostable</p> <ul style="list-style-type: none"> <li>• Normally closed (1 → 2)</li> <li>• Normally open (3 → 2)</li> <li>• Mechanical spring return</li> <li>• Suitable for vacuum</li> <li>• Pneumatically piloted, external pilot air</li> <li>• Reversible</li> </ul>
	VHEF-PTC-B32-...	<p>3/2-way valve, bistable</p> <ul style="list-style-type: none"> <li>• Normally closed (1 → 2)</li> <li>• Normally open (3 → 2)</li> <li>• Mechanical spring return</li> <li>• Pneumatically piloted, internal pilot air</li> <li>• Reversible</li> </ul>
	VHEF-PTCZ-B32-...	<p>3/2-way valve, bistable</p> <ul style="list-style-type: none"> <li>• Normally closed (1 → 2)</li> <li>• Normally open (3 → 2)</li> <li>• Mechanical spring return</li> <li>• Suitable for vacuum</li> <li>• Pneumatically piloted, external pilot air</li> <li>• Reversible</li> </ul>
	VHEF-P-M52-M-...	<p>5/2-way valve, monostable</p> <ul style="list-style-type: none"> <li>• Mechanical spring return</li> <li>• Suitable for vacuum</li> <li>• Reversible</li> </ul>
	VHEF-P-B52-...	<p>5/2-way valve, bistable</p> <ul style="list-style-type: none"> <li>• Suitable for vacuum</li> <li>• Reversible</li> </ul>




## Key features

Valve functions		
Circuit symbol	Type	Description
Toggle lever valve		
	VHEF-VT-M32-M-...	3/2-way valve, monostable <ul style="list-style-type: none"> <li>• Normally closed (1 → 2)</li> <li>• Normally open (3 → 2)</li> <li>• Mechanical spring return</li> <li>• Pneumatically piloted, internal pilot air</li> <li>• Suitable for vacuum</li> <li>• Reversible</li> </ul>
	VHEF-V-M52-M-...	5/2-way valve, monostable <ul style="list-style-type: none"> <li>• Mechanical spring return</li> <li>• Suitable for vacuum</li> <li>• Reversible</li> </ul>
	VHEF-VT-B32-...	3/2-way valve, bistable <ul style="list-style-type: none"> <li>• Normally closed (1 → 2)</li> <li>• Normally open (3 → 2)</li> <li>• Mechanical spring return</li> <li>• Pneumatically piloted, internal pilot air</li> <li>• Suitable for vacuum</li> <li>• Reversible</li> </ul>
	VHEF-V-B52-...	5/2-way valve, bistable <ul style="list-style-type: none"> <li>• Mechanical spring return</li> <li>• Suitable for vacuum</li> <li>• Reversible</li> </ul>
Finger lever valve		
	VHEF-LT-M32-M-...	3/2-way valve, monostable <ul style="list-style-type: none"> <li>• Normally closed (1 → 2)</li> <li>• Normally open (3 → 2)</li> <li>• Mechanical spring return</li> <li>• Pneumatically piloted, internal pilot air</li> <li>• Suitable for vacuum</li> <li>• Reversible</li> </ul>
	VHEF-L-M52-M-...	5/2-way valve, monostable <ul style="list-style-type: none"> <li>• Mechanical spring return</li> <li>• Suitable for vacuum</li> <li>• Reversible</li> </ul>
	VHEF-L-M52-E-...	5/2-way valve, monostable <ul style="list-style-type: none"> <li>• Pneumatic spring return</li> <li>• Suitable for vacuum</li> <li>• Reversible</li> </ul>

## Key features

Valve functions Circuit symbol	Type	Description
Hand lever valve, selector valve 	VHEF-HST-M32-M-... VHEF-EST-M32-M-... VHEF-HT-M32-M-... VHEF-ET-M32-M-...	3/2-way valve, monostable <ul style="list-style-type: none"> <li>• Normally closed (1 → 2)</li> <li>• Normally open (3 → 2)</li> <li>• Mechanical spring return</li> <li>• Suitable for vacuum</li> <li>• Reversible</li> </ul>
	VHEF-HST-B32-... VHEF-EST-B32-... VHEF-HT-B32-... VHEF-ET-B32-...	3/2-way valve, bistable <ul style="list-style-type: none"> <li>• Normally closed (1 → 2)</li> <li>• Normally open (3 → 2)</li> <li>• Mechanical spring return</li> <li>• Suitable for vacuum</li> <li>• Reversible</li> </ul>
	VHEF-HS-M52-M-... VHEF-ES-M52-M-... VHEF-H-M52-M-... VHEF-E-M52-M-...	5/2-way valve, monostable <ul style="list-style-type: none"> <li>• Mechanical spring return</li> <li>• Suitable for vacuum</li> <li>• Reversible</li> </ul>
	VHEF-HS-B52-... VHEF-ES-B52-... VHEF-H-B52-... VHEF-E-B52-...	5/2-way valve, bistable <ul style="list-style-type: none"> <li>• Suitable for vacuum</li> <li>• Reversible</li> </ul>
	VHEF-HS-B53C-... VHEF-ES-B53C-... VHEF-H-B53C-... VHEF-E-B53C-...	5/3-way valve <ul style="list-style-type: none"> <li>• Mid-position closed</li> <li>• Suitable for vacuum</li> <li>• Reversible</li> </ul>
	VHEF-HS-B53E-... VHEF-ES-B53E-... VHEF-H-B53E-... VHEF-E-B53E-...	5/3-way valve <ul style="list-style-type: none"> <li>• Mid-position open (exhausted)</li> <li>• Suitable for vacuum</li> <li>• Reversible</li> </ul>
	VHEF-HS-P53C-M-... VHEF-ES-P53C-M-... VHEF-H-P53C-M-... VHEF-E-P53C-M-...	5/3-way valve <ul style="list-style-type: none"> <li>• Mid-position closed</li> <li>• Mechanical spring return</li> <li>• Suitable for vacuum</li> <li>• Reversible</li> </ul>
	VHEF-HS-P53E-M-... VHEF-ES-P53E-M-... VHEF-H-P53E-M-... VHEF-E-P53E-M-...	5/3-way valve <ul style="list-style-type: none"> <li>• Mid-position open (exhausted)</li> <li>• Mechanical spring return</li> <li>• Suitable for vacuum</li> <li>• Reversible</li> </ul>

 **Note**

A filter must be installed upstream of valves operated in vacuum mode. This prevents any foreign matter in the intake air getting into the valve (e.g. when operating a suction cup with connector).

## Type codes

001	Series
<b>VHEF</b>	Manually actuated valve

002	Actuation type
<b>E</b>	Selector switch
<b>ES</b>	Selector switch, on the side
<b>H</b>	Hand lever, top
<b>HS</b>	Hand lever, on the side
<b>L</b>	Finger lever
<b>P</b>	Pushbutton
<b>V</b>	Toggle lever, top

003	Design principle
	Piston spool
<b>T</b>	Poppet valve

004	Type of control
	Directly actuated
<b>C</b>	Indirectly actuated

005	Pilot air
	Internal
<b>Z</b>	External

006	Valve function
<b>M32</b>	3/2-way valve, normally closed or open
<b>B32</b>	3/2-way valve, double solenoid/bistable
<b>M52</b>	5/2-way valve, single solenoid/monostable
<b>B52</b>	5/2-way valve, double solenoid/bistable
<b>P53E</b>	5/3-way valve, mid-position exhausted
<b>B53E</b>	5/3-way valve, detenting, mid-position exhausted
<b>P53C</b>	5/3-way valve, mid-position closed
<b>B53C</b>	5/3-way valve, detenting, mid-position closed




  

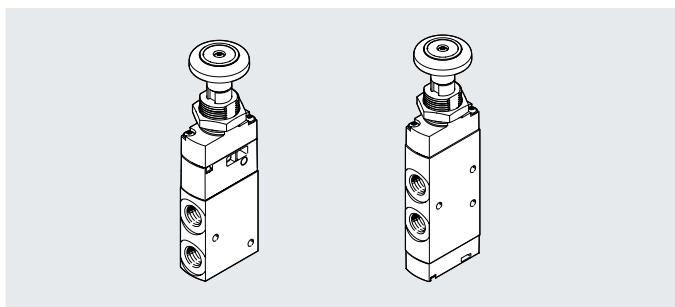
007	Reset method for monostable/single solenoid valves
	None
<b>E</b>	Pneumatic spring, external
<b>M</b>	Mechanical spring

008	Pneumatic connection
<b>G18</b>	G1/8
<b>G14</b>	G1/4
<b>N18</b>	1/8 NPT
<b>N14</b>	1/4 NPT

## Datasheet – Pushbutton valve


-  Flow rate  
750 ... 1200 l/min
-  Pressure  
-0.095 ... 1 MPa  
-0.95 ... 10 bar
-  Temperature range  
-10 ... +60°C



General technical data	
Design	Pushbutton valve
Width [mm]	20
Application information	Manual actuation only
Actuation type	Manual
Type of mounting	Via through-hole or front panel using retaining nut
Sealing principle	Soft
Flow direction	Reversible
Exhaust function	Can be throttled
Mounting position	Any
Max. switching frequency [Hz]	0.5


Technical data – 3/2-way valve					
Type		VHEF-...-B32...18	VHEF-...-B32...14	VHEF-...-M32...18	VHEF-...-M32...14
Design		Poppet valve			
Standard nominal flow rate	1 → 2 [l/min]	750	870	750	870
	3 → 2 [l/min]	665	750	665	750
Valve function		3/2-way valve, bistable		3/2-way valve, open/closed, monostable	
Overlap		Zero overlap		Zero overlap	
Reset method		-		Mechanical spring	
Type of control		Piloted		Piloted	
Pilot air supply		Internal, external only PTCZ types		Internal, external only PTCZ types	
Manual override		Detenting		-	
Actuating force at 6 bar [N]		20	20	24.5	24.5
Release force at 6 bar [N]		25	25	-	-
Pneumatic port 1, 2, 3		G1/8	G1/4	G1/8	G1/4
Pilot air port 12		-	-	M5 <sup>1)</sup>	M5 <sup>1)</sup>
Nominal width [mm]		5.6	6	5.6	6
Product weight [g]		168	161	168	161

1) Only for PTCZ types (external pilot air)

-  **Note**
- An axial torque greater than 3 Nm on the pushbutton is to be avoided. This could overload it and cause it to break.
  - The max. operating force exerted on the pushbutton must not exceed 200 N in all directions. This could overload it and cause it to break.

## Datasheet – Pushbutton valve

Technical data – 5/2-way valve				
Type	VHEF-P-B52-...18	VHEF-P-B52-...14	VHEF-P-M52-M-...18	VHEF-P-M52-M-...14
Design	Piston slide			
Standard nominal flow rate 1 → 2 [l/min]	750	1200	750	1200
Valve function	5/2-way valve, bistable		5/2-way valve, monostable	
Overlap	Positive overlap		Positive overlap	
Reset method	–		Mechanical spring	
Type of control	Direct		Direct	
Manual override	Detenting		–	
Actuating force at 6 bar [N]	20		42	
Release force at 6 bar [N]	35		–	
Pneumatic port 1, 2, 3, 4, 5	G1/8	G1/4	G1/8	G1/4
Nominal width [mm]	5.2	7	5.2	7
Product weight [g]	182	215	182	215


**Note**

- An axial torque greater than 3 Nm on the pushbutton is to be avoided. This could overload it and cause it to break.
- The max. operating force exerted on the pushbutton must not exceed 200 N in all directions. This could overload it and cause it to break.

**Materials**

Housing	Anodised wrought aluminium alloy
Cover	PA-reinforced
Seal	NBR
Note on materials	RoHS-compliant
PWIS conformity	VDMA24364-B1/B2-L

## Datasheet – Pushbutton valve

Operating and environmental conditions		VHEF-PTC-M32-... VHEF-PTC-B32-...	VHEF-PTCZ-M32-... VHEF-PTCZ-B32-...	VHEF-P-...
Operating medium	Compressed air to ISO 8573-1:2010 [7:-:-]			
Note on the operating/pilot medium	Lubricated operation possible (in which case lubricated operation will always be required)			
Pilot air supply	Internal	External	–	
Operating pressure	[MPa]	0.35 ... 1	–0.095 ... 1	–0.095 ... 1
	[bar]	3.5 ... 10	–0.95 ... 10	–0.95 ... 10
NC valves	[bar]	3.5 ... 10	3 ... 10	–
NO valves	[bar]	3.5 ... 10	3 ... 10	–
Pilot pressure	[bar]	3.5 ... 10	3 ... 10	–
Temperature of medium	[°C]	–10 ... +60		
Ambient temperature	[°C]	–10 ... +60		
Corrosion resistance class CRC <sup>1)</sup>	1			

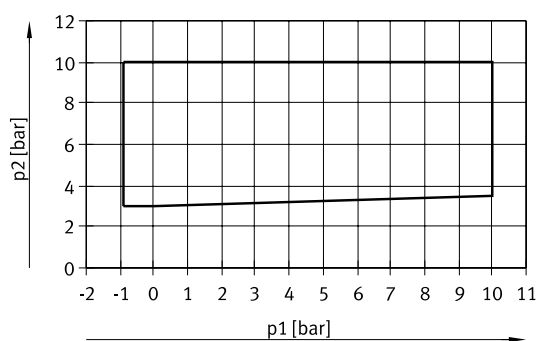
1) Corrosion resistance class CRC 1 to Festo standard FN 940070

Low corrosion stress. Dry internal application or transport and storage protection. Also applies to parts behind covers, in the non-visible interior area, or parts which are covered in the application (e.g. drive trunnions).

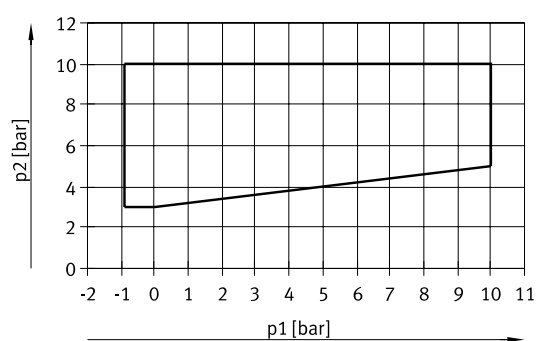
### Pilot pressure p2 as a function of working pressure p1

for disc seat valves VMEF-...-M32...  
(normally closed, NC)

for disc seat valves VMEF-...-M32...  
(normally open, NO)



The framed area shows the operating range for external pilot air.



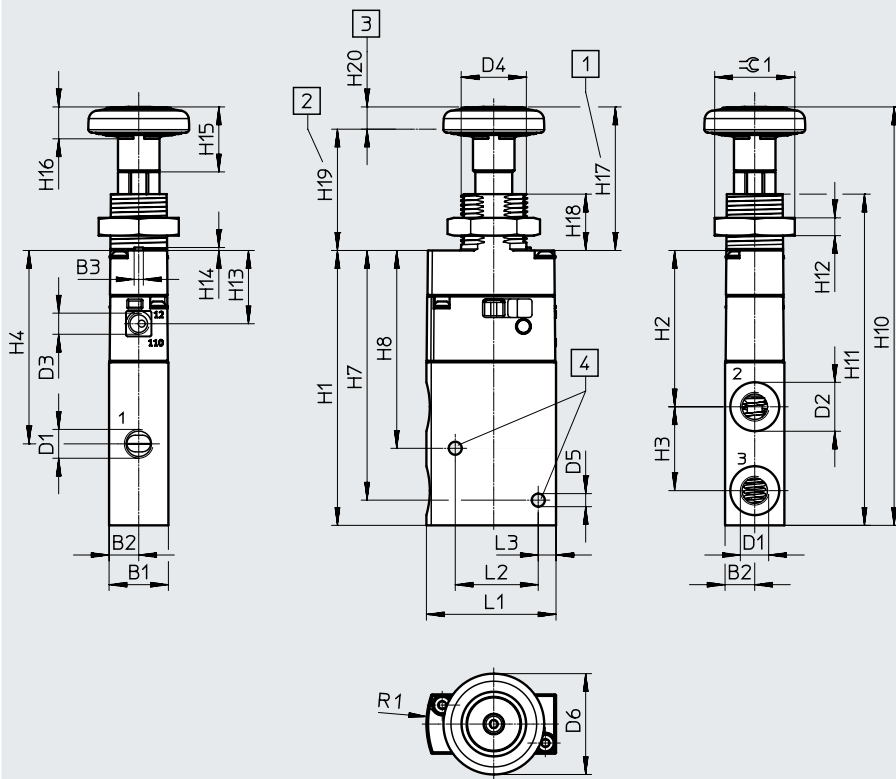
The framed area shows the operating range for external pilot air.

Datasheet – Pushbutton valve

Dimensions

Download CAD data → [www.festo.com](http://www.festo.com)

3/2-way valve



[1] Normal position

[2] Actuated position

[3] Valve stroke

[4] Mounting holes for M4 screws

Type	B1	B2	B3	D1	D2 ∅	D3 ∅	D4	D5 ∅	D6 ∅	H1	H2	H3	H4	H7	H8	H10
VHEF-PTC-...32-...-G18	20	10	3.1	G1/8	16.5	-	M22x1.5	4.4	34	92.7	52.7	28.3	65.2	84.2	66.7	141.1
VHEF-PTCZ-...32-...-G18						M5										
VHEF-PTC-...32-...-G14				G1/4	22	-										
VHEF-PTCZ-...32-...-G14						M5										

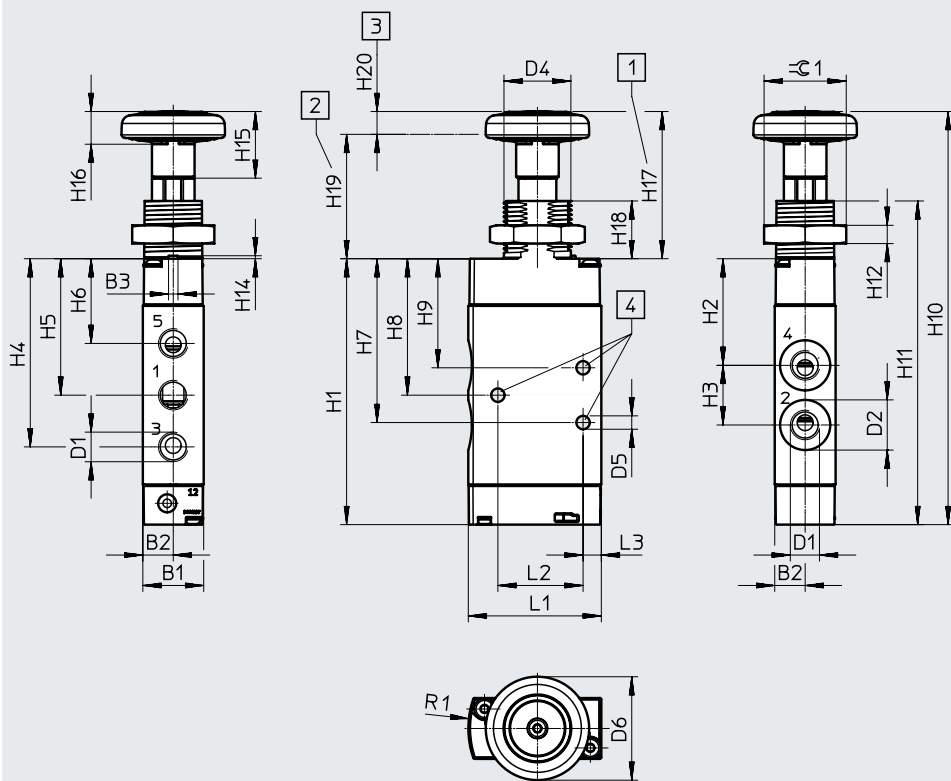
Type	H11	H12	H13	H14	H15	H16	H17	H18	H19	H20	L1	L2	L3	R1	⊙ 1
VHEF-PTC-...32-...-G18	111.7	6	24.7	1	21.9	10.7	48.4	19	40.9	7.5	43.7	28	6	30	27
VHEF-PTCZ-...32-...-G18															
VHEF-PTC-...32-...-G14															
VHEF-PTCZ-...32-...-G14															

Datasheet – Pushbutton valve

Dimensions

Download CAD data → [www.festo.com](http://www.festo.com)

5/2-way valve, pneumatic connection G1/8



[1] Normal position

[2] Actuated position

[3] Valve stroke

[4] Mounting holes for M4 screws

Type	B1	B2	B3	D1	D2 ∅	D4	D5 ∅	D6 ∅	H1	H2	H3	H4	H5	H6	H7	H8
VHEF-P-M52-M-G18	20	10	3.1	G1/8	16.5	M22x1.5	4.4	34	87.4	35.1	19.6	61.9	44.9	27.9	53.9	44.9
VHEF-P-B52-G18																

Type	H9	H10	H11	H12	H14	H15	H16	H17	H18	H19	H20	L1	L2	L3	R1	≙ 1
VHEF-P-M52-M-G18	35.9	135.8	106.4	6	1	21.9	10.7	48.4	19	40.9	7.5	43.7	28	6	30	27
VHEF-P-B52-G18																

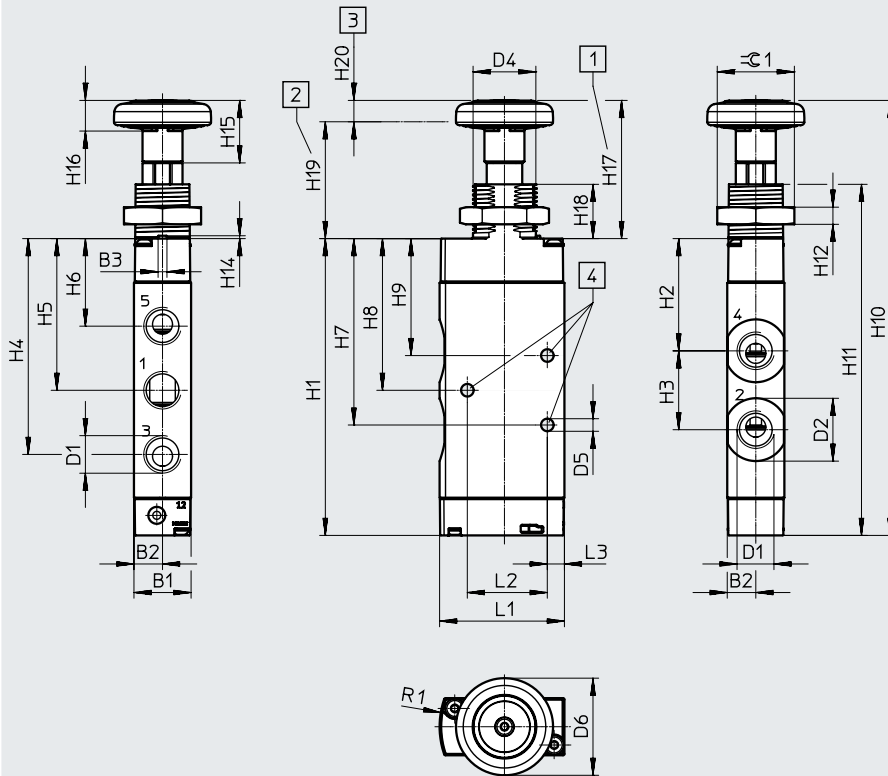


Datasheet – Pushbutton valve

Dimensions

Download CAD data → [www.festo.com](http://www.festo.com)

5/2-way valve, pneumatic connection G1/4



[1] Normal position

[2] Actuated position

[3] Valve stroke

[4] Mounting holes for M4 screws




Type	B1	B2	B3	D1	D2 ∅	D4	D5 ∅	D6 ∅	H1	H2	H3	H4	H5	H6	H7	H8
VHEF-P-M52-M-G14	20	10	3.1	G1/4	22	M22x1.5	4.4	34	103.9	39.3	27.6	75.6	53.1	30.7	65.3	53.1
VHEF-P-B52-G14																

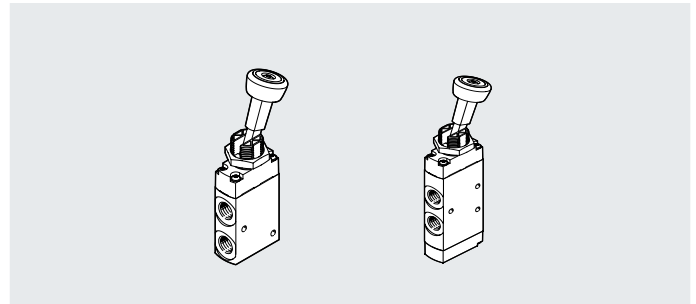
Type	H9	H10	H11	H12	H14	H15	H16	H17	H18	H19	H20	L1	L2	L3	R1	≙ 1
VHEF-P-M52-M-G14	41	152.3	122.9	6	1	21.9	10.7	48.4	19	40.9	7.5	43.7	28	6	30	27
VHEF-P-B52-G14																

## Datasheet – Pushbutton valve

Ordering data					
Description	Reset method	Nominal flow rate [l/min]	Weight [g]	Part no.	Type
3/2-way valve	–	750	168	5299707	VHEF-PTC-B32-G18
		870	161	5299713	VHEF-PTC-B32-G14
	Mechanical spring	750	168	5299705	VHEF-PTC-M32-M-G18
		870	161	5299711	VHEF-PTC-M32-M-G14
	–	750	168	5299708	VHEF-PTCZ-B32-G18
		870	161	5299714	VHEF-PTCZ-B32-G14
	Mechanical spring	750	168	5299706	VHEF-PTCZ-M32-M-G18
		870	161	5299712	VHEF-PTCZ-M32-M-G14
5/2-way valve	–	750	182	5299710	VHEF-P-B52-G18
	Mechanical spring		182	5299709	VHEF-P-M52-M-G18
	–	1200	215	5299716	VHEF-P-B52-G14
	Mechanical spring		215	5299715	VHEF-P-M52-M-G14

## Datasheet – Toggle lever valve

-  - Flow rate  
750 ... 1200 l/min
-  - Pressure  
-0.095 ... 1 MPa  
-0.95 ... 10 bar
-  - Temperature range  
-10 ... +60°C



General technical data	
Design	Toggle lever, top
Width [mm]	20
Application information	Manual actuation only
Actuation type	Manual
Type of mounting	Via through-hole or front panel using retaining nut
Sealing principle	Soft
Flow direction	Reversible
Exhaust function	Can be throttled
Mounting position	Any
Max. switching frequency [Hz]	0.5

Technical data – 3/2-way valve					
Type		VHEF-VT-B32...18	VHEF-VT-B32...14	VHEF-VT-M32...18	VHEF-VT-M32...14
Design		Poppet valve			
Standard nominal flow rate	1 → 2 [l/min]	750	870	750	870
	3 → 2 [l/min]	665	750	665	750
Valve function		3/2-way valve, bistable		3/2-way valve, open/closed, monostable	
Overlap		Zero overlap		Zero overlap	
Reset method		-		Mechanical spring	
Type of control		Direct		Direct	
Manual override		Detenting		-	
Actuating torque at 6 bar [Nm]		1.9	1.9	0.6	0.6
Release torque at 6 bar [Nm]		1	1	-	-
Max. force on actuation [N]		200	200	200	200
Max. lateral force on actuation [N]		140	140	140	140
Pneumatic port 1, 2, 3		G1/8	G1/4	G1/8	G1/4
Nominal width [mm]		5.6	6	5.6	6
Product weight [g]		174	181	174	181

Datasheet – Toggle lever valve

Technical data – 5/2-way valve		VHEF-V-B52-...18	VHEF-V-B52-...14	VHEF-V-M52-M-...18	VHEF-V-M52-M-...14
Type					
Design		Piston slide			
Standard nominal flow rate	1 → 2 [l/min]	750	1200	750	1200
Valve function		5/2-way valve, bistable		5/2-way valve, monostable	
Overlap		Positive overlap		Positive overlap	
Reset method		–		Mechanical spring	
Type of control		Direct		Direct	
Manual override		Detenting			
Actuating torque at 6 bar	[Nm]	1.1	1.1	0.6	0.6
Release torque at 6 bar	[Nm]	0.6	0.6	–	–
Max. force on actuation	[N]	200	200	200	200
Max. lateral force on actuation	[N]	140	140	140	140
Pneumatic port 1, 2, 3, 4, 5		G1/8	G1/4	G1/8	G1/4
Nominal width	[mm]	5.2	7	5.2	7
Product weight	[g]	208	240	208	240

Materials	
Housing	Anodised wrought aluminium alloy
Cover	PA-reinforced
Lever	PA-reinforced
Seal	NBR
Note on materials	RoHS-compliant
PWIS conformity	VDMA24364-B1/B2-L

Operating and environmental conditions	
Operating medium	Compressed air to ISO 8573-1:2010 [7:-:-]
Note on the operating/pilot medium	Lubricated operation possible (in which case lubricated operation will always be required)
Operating pressure	[MPa] –0.095 ... 1
	[bar] –0.95 ... 10
Temperature of medium	[°C] –10 ... +60
Ambient temperature	[°C] –10 ... +60
Corrosion resistance class CRC <sup>1)</sup>	1

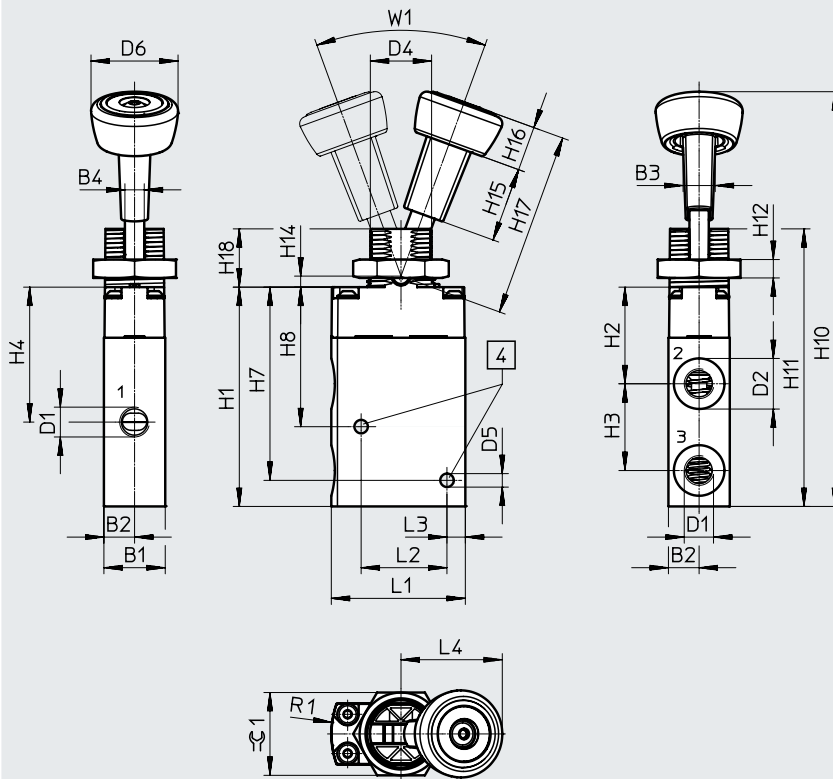
1) Corrosion resistance class CRC 1 to Festo standard FN 940070  
 Low corrosion stress. Dry internal application or transport and storage protection. Also applies to parts behind covers, in the non-visible interior area, or parts which are covered in the application (e.g. drive trunnions).

Datasheet – Toggle lever valve

Dimensions

Download CAD data → [www.festo.com](http://www.festo.com)

3/2-way valve



[4] Mounting holes for M4 screws

Type	B1	B2	B3	B4	D1	D2 ∅	D4	D5 ∅	D6 ∅	H1	H2	H3	H4	H7	H8	H10
VHEF-VT...M32...-G18	20	10	10.5	6.3	G1/8	16.5	M22x1.5	4.4	28.4	71.4	31.5	28.3	44	63	45.5	135.2
VHEF-VT...M32...-G14					G1/4	22										
VHEF-VT...B32...-G18					G1/8	16.5										
VHEF-VT...B32...-G14					G1/4	22										

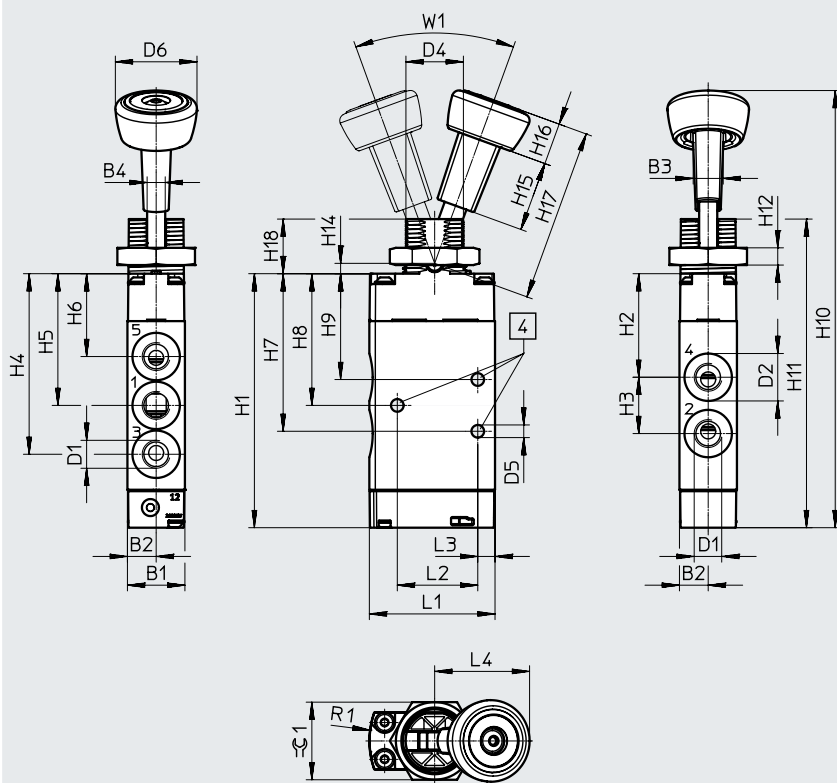
Type	H11	H12	H14	H15	H16	H17	H18	L1	L2	L3	L4	R1	W1	≈∠ 1
VHEF-VT...M32...-G18	90.5	6	3.6	24.4	14.6	60	19	43.7	28	6	33	30	40°	27
VHEF-VT...M32...-G14														
VHEF-VT...B32...-G18														
VHEF-VT...B32...-G14														

## Datasheet – Toggle lever valve

### Dimensions

Download CAD data → [www.festo.com](http://www.festo.com)

5/2-way valve, pneumatic connection G1/8



[4] Mounting holes for M4 screws

Type	B1	B2	B3	B4	D1	D2 ∅	D4	D5 ∅	D6 ∅	H1	H2	H3	H4	H5	H6	H7
VHEF-V-M52-M-G18	20	10	10.5	6.3	G1/8	16.5	M22x1.5	4.4	28.4	88.4	36.1	19.6	62.9	45.9	28.9	54.9
VHEF-V-B52-G18																

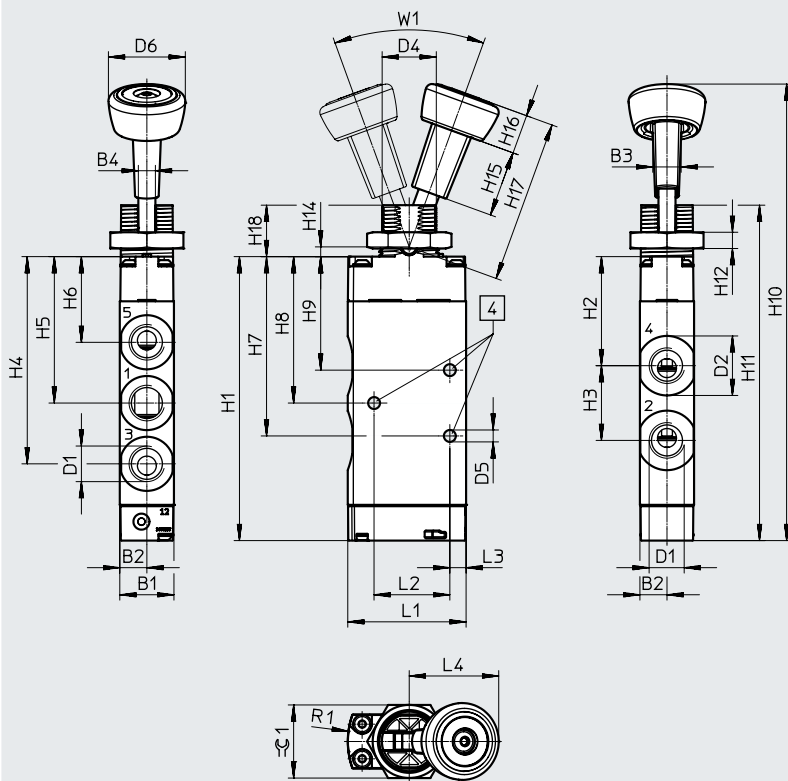
Type	H8	H9	H10	H11	H12	H14	H15	H16	H17	H18	L1	L2	L3	L4	R1	W1	⌀1
VHEF-V-M52-M-G18	45.9	36.9	152.1	107.4	6	3.6	24.4	14.6	60	19	43.7	28	6	33	30	40°	27
VHEF-V-B52-G18																	

## Datasheet – Toggle lever valve

### Dimensions

Download CAD data → [www.festo.com](http://www.festo.com)

5/2-way valve, pneumatic connection G1/4



[4] Mounting holes for M4 screws

Type	B1	B2	B3	D1	D2 ∅	D4	D5 ∅	D6 ∅	H1	H2	H3	H4	H5	H6	H7	H8
VHEF-V-M52-M-G14	20	10	10.5	G1/4	22	M22x1.5	4.4	28.4	104.9	40.3	27.6	76.6	54.1	31.7	66.3	54.1
VHEF-V-B52-G14																




Type	H9	H10	H11	H12	H14	H15	H16	H17	H18	L1	L2	L3	L4	R1	W1	≈ 1
VHEF-V-M52-M-G14	42	168.6	123.9	6	3.6	24.4	14.6	60	19	43.7	28	6	33	30	40°	27
VHEF-V-B52-G14																

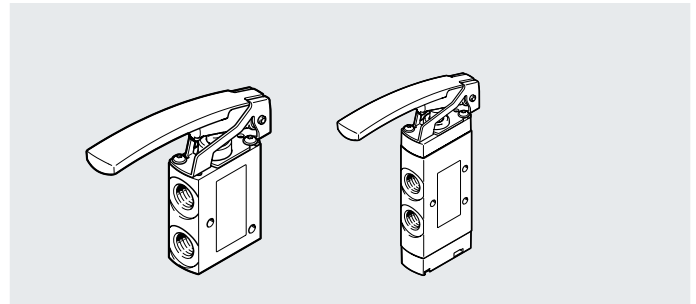
Datasheet – Toggle lever valve

Ordering data					
Description	Reset method	Nominal flow rate [l/min]	Weight [g]	Part no.	Type
3/2-way valve	–	750	174	5300037	VHEF-VT-B32-G18
		870	181	5300039	VHEF-VT-B32-G14
	Mechanical spring	750	174	5300036	VHEF-VT-M32-M-G18
		870	181	5300038	VHEF-VT-M32-M-G14
5/2-way valve	–	750	208	5300033	VHEF-V-B52-G18
		1200	240	5300035	VHEF-V-B52-G14
	Mechanical spring	750	208	5300032	VHEF-V-M52-M-G18
		1200	240	5300034	VHEF-V-M52-M-G14



## Datasheet – Finger lever valve

-  Flow rate  
750 ... 1200 l/min
-  Pressure  
-0.095 ... 1 MPa  
-0.95 ... 10 bar
-  Temperature range  
-10 ... +60°C

**General technical data**

Design	Finger lever
Width [mm]	20
Type of control	Directly actuated
Application information	Manual actuation only
Actuation type	Manual
Type of mounting	With through-hole
Sealing principle	Soft
Flow direction	Reversible
Exhaust function	Can be throttled
Mounting position	Any
Max. switching frequency [Hz]	0.5

**Technical data – 3/2-way valve**

Type	VHEF-LT-M32-M...18	VHEF-LT-M32-M...14
Design	Poppet valve	
Standard nominal flow rate [l/min] 1 → 2	750	870
Valve function	3/2-way valve, open/closed, monostable	
Overlap	Zero overlap	
Reset method	Mechanical spring	
Actuating force at 6 bar		
• normally closed [N]	14	14
• normally open [N]	24	24
Pneumatic port 1, 2, 3	G1/8	G1/4
Nominal width [mm]	5.6	6
Product weight [g]	156	150

## Datasheet – Finger lever valve

Technical data – 5/2-way valve				
Type	VHEF-L-M52-M...18	VHEF-L-M52-M...14	VHEF-L-M52-E...18	VHEF-L-M52-E...14
Design	Piston slide		Piston slide	
Standard nominal flow rate 1 → 2 [l/min]	750	1200	750	1200
Valve function	5/2-way valve, monostable		5/2-way valve, monostable	
Overlap	Positive overlap		Positive overlap	
Reset method	Mechanical spring		Pneumatic spring	
Actuating force at 6 bar [N]	10	12	8	14
Pneumatic port 1, 2, 3, 4, 5	G1/8	G1/4	G1/8	G1/4
Nominal width [mm]	5.2	7	5.2	7
Product weight [g]	185	218	184	217

Materials	
Housing	Anodised wrought aluminium alloy
Lever	PA-reinforced
Cover	Reinforced PA (VHEF...M52)
Seal	NBR
Note on materials	RoHS-compliant
PWIS conformity	VDMA24364-B1/B2-L

Operating and environmental conditions	
Operating medium	Compressed air to ISO 8573-1:2010 [7:-:-]
Note on the operating/pilot medium	Lubricated operation possible (in which case lubricated operation will always be required)
Operating pressure [MPa] [bar]	-0.095 ... 1 -0.95 ... 10
Temperature of medium [°C]	-10 ... +60
Ambient temperature [°C]	-10 ... +60
Corrosion resistance class CRC <sup>1)</sup>	1

1) Corrosion resistance class CRC 1 to Festo standard FN 940070

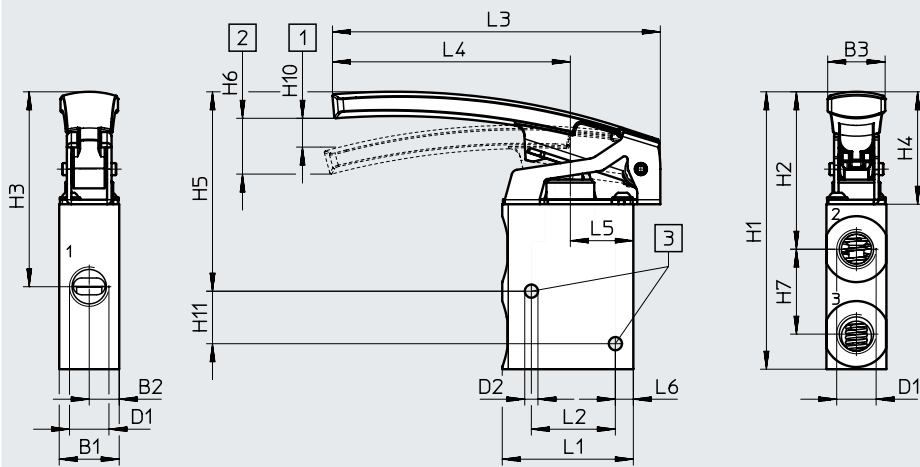
Low corrosion stress. Dry internal application or transport and storage protection. Also applies to parts behind covers, in the non-visible interior area, or parts which are covered in the application (e.g. drive trunnions).

Datasheet – Finger lever valve

Dimensions

Download CAD data → [www.festo.com](http://www.festo.com)

3/2-way valve



[1] Start of opening

[2] Maximum stroke

[3] Mounting holes for M4 screws

Type	B1	B2	B3	D1	D2 ∅	L1	L2	L3	L4	L5
VHEF-LT-M32-M-G14	20	10	19.1	G1/4	4.4	43.7	28	109.3	79.3	21
VHEF-LT-M32-M-G18				G1/8						

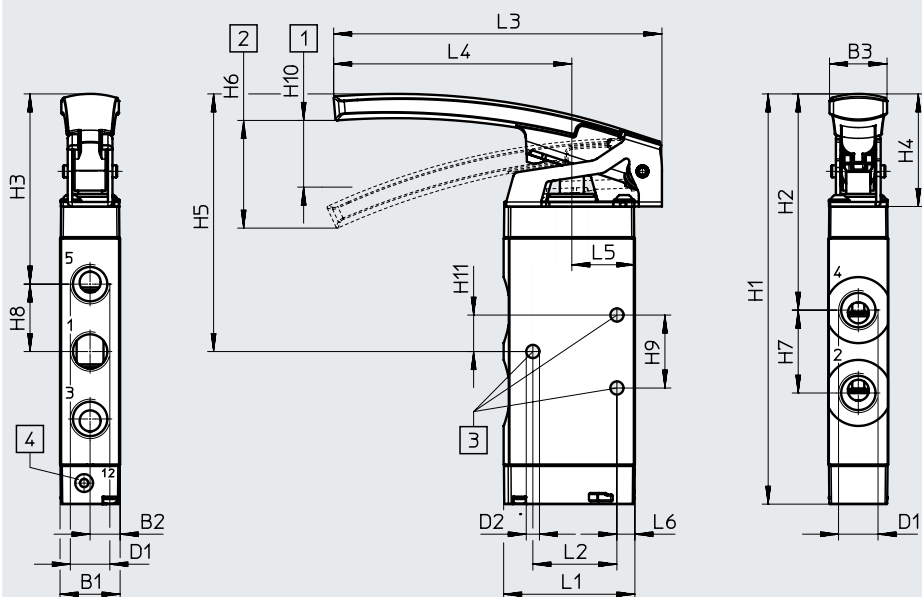
Type	L6	H1	H2	H3	H4	H5	H6	H7	H10	H11
VHEF-LT-M32-M-G14	6	92.5	52.5	65	37.5	66.5	18.6	28.3	6.3	17.5
VHEF-LT-M32-M-G18										

## Datasheet – Finger lever valve

### Dimensions

5/2-way valve

Download CAD data → [www.festo.com](http://www.festo.com)



[1] Start of opening

[2] Maximum stroke

[3] Mounting holes for M4 screws

[4] Port 12: pneumatic spring, M5  
(for VHEF-L-M52-E-...)




Type	B1	B2	B3	D1	D2 ∅	L1	L2	L3	L4	L5	L6
VHEF-L-M52-M-G18	20	10	19.1	G1/8	4.4	43.7	28	109.3	79.3	21	6
VHEF-L-M52-E-G18				G1/8							
VHEF-L-M52-M-G14				G1/4							
VHEF-L-M52-E-G14				G1/4							

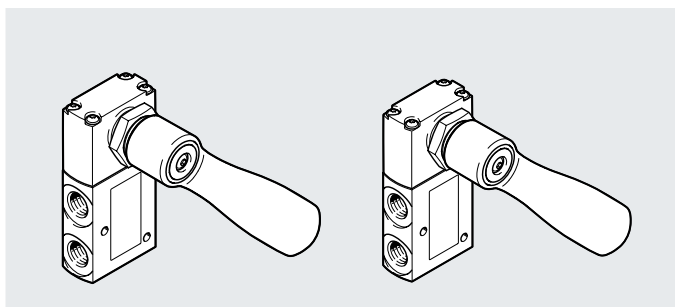
Type	H1	H2	H3	H4	H5	H6	H7	H8	H9	H10	H11
VHEF-L-M52-M-G18	120	67.7	60.5	37.5	77.5	35.8	19.6	17	18	13.2	9
VHEF-L-M52-E-G18											
VHEF-L-M52-M-G14	136.6	72	63.3	37.5	85.8	35.8	27.6	22.5	24.3	22.2	12.2
VHEF-L-M52-E-G14											

## Datasheet – Finger lever valve

Ordering data					
Description	Reset method	Nominal flow rate [l/min]	Weight [g]	Part no.	Type
3/2-way valve	Mechanical spring	750	156	<b>4500009</b>	<b>VHEF-LT-M32-M-G18</b>
		870	150	<b>4500008</b>	<b>VHEF-LT-M32-M-G14</b>
5/2-way valve	Mechanical spring	750	185	<b>4500001</b>	<b>VHEF-L-M52-M-G18</b>
	Pneumatic spring		184	<b>4500005</b>	<b>VHEF-L-M52-E-G18</b>
	Mechanical spring	1200	218	<b>4500000</b>	<b>VHEF-L-M52-M-G14</b>
	Pneumatic spring		217	<b>4500004</b>	<b>VHEF-L-M52-E-G14</b>

Datasheet – Hand lever valve, sideways

-  Flow rate  
530 ... 1200 l/min
-  Pressure  
-0.095 ... 1 MPa  
-0.95 ... 10 bar
-  Temperature range  
-10 ... +60°C



General technical data	
Design	Hand lever, sideways
Width [mm]	20
Type of control	Directly actuated
Application information	Manual actuation only The hand lever valve can be rotated 90° during mounting.
Actuation type	Manual
Type of mounting	Via through-hole or front panel using retaining nut
Sealing principle	Soft
Flow direction	Reversible
Exhaust function	Can be throttled
Mounting position	Any
Max. force when actuating the hand lever <sup>1)</sup> [N]	200
Max. lateral force when actuating the hand lever <sup>1)</sup> [N]	200
Max. switching frequency [Hz]	0.5

1) Measured at a distance of 80 mm from the centre of the hand lever fitting

Technical data – 3/2-way valve				
Type	VHEF-HST-B32...18	VHEF-HST-B32...14	VHEF-HST-M32...18	VHEF-HST-M32...14
Design	Poppet valve			
Standard nominal flow rate $1 \rightarrow 2$ [l/min]	750	870	750	870
flow rate $3 \rightarrow 2$ [l/min]	665	750	665	750
Valve function	3/2-way valve, bistable		3/2-way valve, open/closed, monostable	
Overlap	Zero overlap		Zero overlap	
Reset method	-		Mechanical spring	
Manual override	Detenting			
Actuating torque at 6 bar [Nm]	0.7		0.6	
Pneumatic port 1, 2, 3	G1/8	G1/4	G1/8	G1/4
Nominal width [mm]	5.6	6	5.6	6
Product weight [g]	236	230	236	230

## Datasheet – Hand lever valve, sideways

Technical data – 5/2-way valve					
Type	VHEF-HS-M52-M-...18	VHEF-HS-M52-M-...14	VHEF-HS-B52-...18	VHEF-HS-B52-...14	
Design	Piston slide				
Standard nominal flow rate	1 → 2 [l/min]	750	1200	750	1200
Valve function	5/2-way valve, monostable		5/2-way valve, bistable		
Overlap	Positive overlap		Positive overlap		
Reset method	Mechanical spring		–		
Manual override	–		Detenting		
Actuating torque at 6 bar	[Nm]	0.6		–	
Pneumatic port 1, 2, 3, 4, 5		G1/8	G1/4	G1/8	G1/4
Nominal width	[mm]	5.2	7	5.2	7
Product weight	[g]	265	298	265	298

Technical data – 5/3-way valve										
Type VHEF-HS-	B53C-...18	B53C-...14	B53E-...18	B53E-...14	P53C-...18	P53C-...14	P53E-...18	P53E-...14		
Design	Piston slide									
Standard nominal flow rate	1 → 2 [l/min]	750	1200	530	900	700	1200	530	900	
	4 → 5 [l/min]	–	–	400	470	–	–	400	470	
	2 → 3 [l/min]	–	–	400	470	–	–	400	470	
Valve function	5/3-way valve, closed			5/3-way valve, exhausted		5/3-way valve, closed		5/3-way valve, exhausted		
Overlap	Positive overlap			Positive overlap		Positive overlap		Positive overlap		
Reset method	–			–		Mechanical spring		Mechanical spring		
Manual override	Detenting			Detenting		–		–		
Actuating torque at 6 bar	[Nm]	0.7								
Pneumatic port 1, 2, 3, 4, 5		G1/8	G1/4	G1/8	G1/4	G1/8	G1/4	G1/8	G1/4	
Nominal width	[mm]	5.2	7	5.2	7	5.2	7	5.2	7	
Product weight	[g]	265	298	265	298	265	298	265	298	

Materials	
Housing	Anodised wrought aluminium alloy
Lever	PA-reinforced
Cover	PA-reinforced
Seal	NBR
Note on materials	RoHS-compliant
PWIS conformity	VDMA24364-B1/B2-L

Operating and environmental conditions		
Operating medium	Compressed air to ISO 8573-1:2010 [7:--:-]	
Note on the operating/pilot medium	Lubricated operation possible (in which case lubricated operation will always be required)	
Operating pressure	[MPa]	–0.095 ... 1
	[bar]	–0.95 ... 10
Temperature of medium	[°C]	–10 ... +60
Ambient temperature	[°C]	–10 ... +60
Corrosion resistance class CRC <sup>1)</sup>		1

1) Corrosion resistance class CRC 1 to Festo standard FN 940070

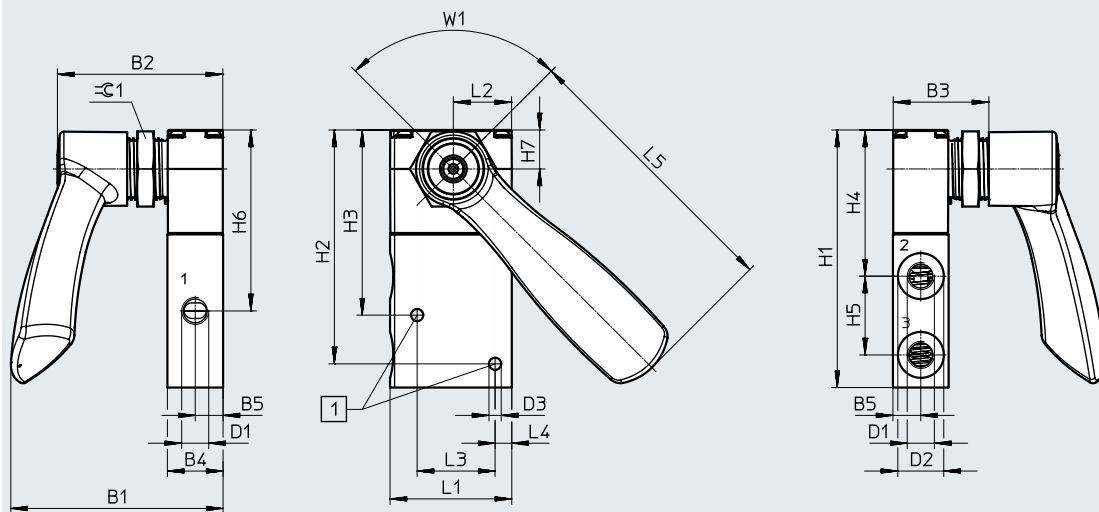
Low corrosion stress. Dry internal application or transport and storage protection. Also applies to parts behind covers, in the non-visible interior area, or parts which are covered in the application (e.g. drive trunnions).

Datasheet – Hand lever valve, sideways

Dimensions

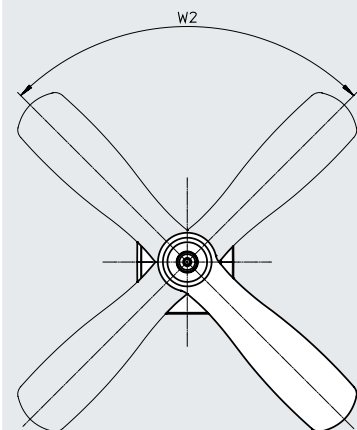
Download CAD data → [www.festo.com](http://www.festo.com)

3/2-way valve



[1] Mounting holes for M4 screws

VHEF-HST...



Type	B1	B2	B3	B4	B5	D1	D2 ∅	D3 ∅	H1	H2	H3
VHEF-HST...32...-G18	76.2	59.5	34.5	20	10	G1/8	16.5	4.4	92.5	84	66.5
VHEF-HST...32...-G14						G1/4	22				

Type	H4	H5	H6	H7	L1	L2	L3	L4	L5	W1	∠ 1
VHEF-HST...32...-G18	52.5	28.3	65	14	43.7	20.9	28	6	100.8	90°	27 mm
VHEF-HST...32...-G14											

Type	W2
VHEF-HST...	90°

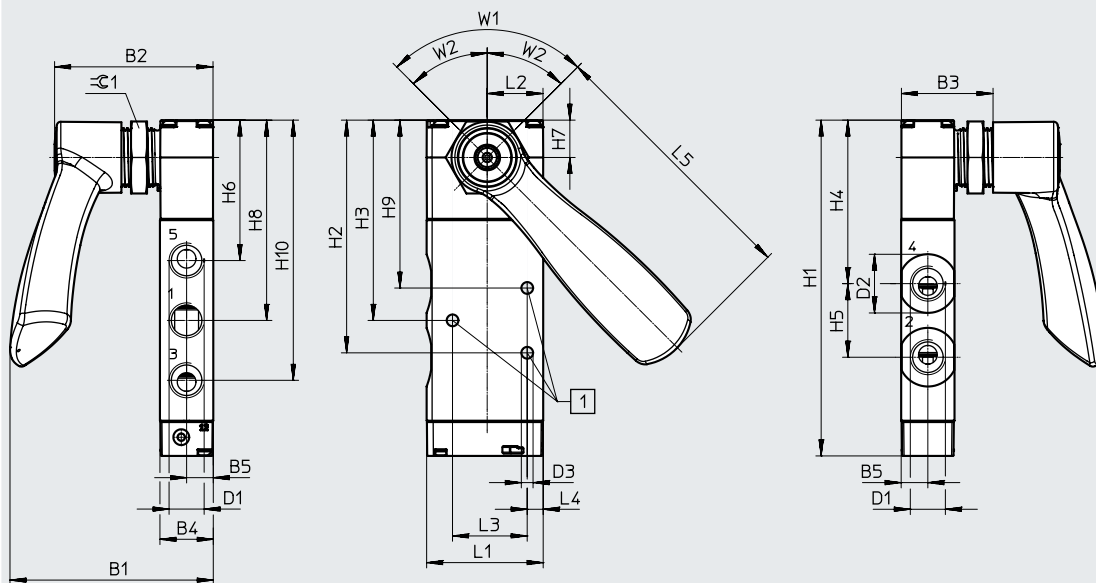


Datasheet – Hand lever valve, sideways

Dimensions

Download CAD data → [www.festo.com](http://www.festo.com)

5/2-way and 5/3-way valve

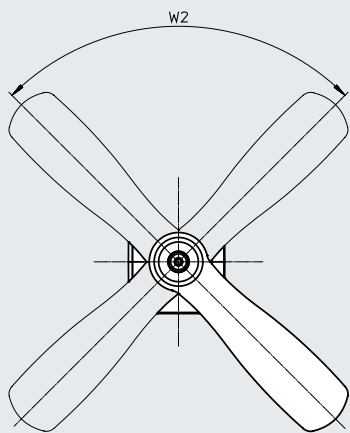


[1] Mounting holes for M4 screws

W1 90° angle for 5/2-way valves (2 switching positions)

W2 2x 45° angle for 5/3-way valves (3 switching positions)

VHEF-HS...



Type	B1	B2	B3	B4	B5	D1	D2 ∅	D3 ∅	H1	H2	H3	H4
VHEF-HS...52...-G18	76.2	59.5	34.5	20	10	G1/8	16.5	4.4	109.4	75.9	66.9	57.1
VHEF-HS...53...-G18						G1/8						
VHEF-HS...52...-G14						G1/4	22	125.9	87.3	75.1	61.3	
VHEF-HS...53...-G14						G1/4						




Type	H5	H6	H7	H8	H9	H10	L1	L2	L3	L4	W1	W2	≅1
VHEF-HS...52...-G18	19.6	49.9	14	66.9	57.9	83.9	43.7	20.9	28	6	90°	-	27 mm
VHEF-HS...53...-G18				75.1	63	97.6					-	45°	
VHEF-HS...52...-G14	26.7	52.7	14	75.1	63	97.6	43.7	20.9	28	6	90°	-	27 mm
VHEF-HS...53...-G14				75.1	63	97.6					-	45°	

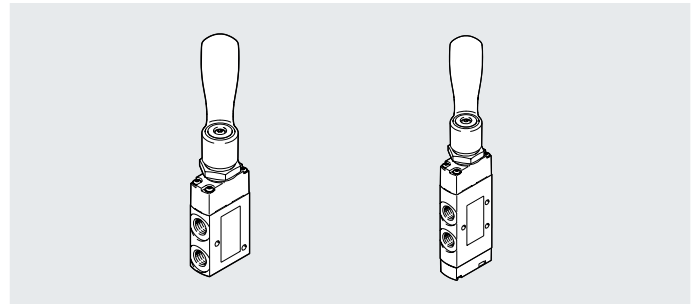
Type	W2
VHEF-HS...	90°

## Datasheet – Hand lever valve, sideways

Ordering data					
Description	Reset method	Nominal flow rate [l/min]	Weight [g]	Part no.	Type
3/2-way valve	–	750	236	4165861	VHEF-HST-B32-G18
		870	230	4165862	VHEF-HST-B32-G14
	Mechanical spring	750	236	4165853	VHEF-HST-M32-M-G18
		870	230	4165854	VHEF-HST-M32-M-G14
5/2-way valve	Mechanical spring	750	265	4165855	VHEF-HS-M52-M-G18
		1200	298	4165856	VHEF-HS-M52-M-G14
	–	750	265	4165863	VHEF-HS-B52-G18
		1200	298	4165864	VHEF-HS-B52-G14
5/3-way valve	–	700	265	4165865	VHEF-HS-B53C-G18
		1200	298	4165866	VHEF-HS-B53C-G14
		530	265	4165867	VHEF-HS-B53E-G18
		900	298	4165868	VHEF-HS-B53E-G14
	Mechanical spring	700	265	4165857	VHEF-HS-P53C-M-G18
		1200	298	4165858	VHEF-HS-P53C-M-G14
		530	265	4165859	VHEF-HS-P53E-M-G18
		900	298	4165860	VHEF-HS-P53E-M-G14

## Datasheet – Hand lever valve

-  Flow rate  
530 ... 1200 l/min
-  Pressure  
-0.095 ... 1 MPa  
-0.95 ... 10 bar
-  Temperature range  
-10 ... +60°C


**General technical data**

Design	Hand lever
Width [mm]	20
Type of control	Directly actuated
Application information	Manual actuation only The hand lever valve can be rotated 90° during mounting.
Actuation type	Manual
Type of mounting	Via through-hole or front panel using retaining nut
Sealing principle	Soft
Flow direction	Reversible
Exhaust function	Can be throttled
Mounting position	Any
Max. force when actuating the hand lever <sup>1)</sup> [N]	200
Max. lateral force when actuating the hand lever <sup>1)</sup> [N]	200
Max. switching frequency [Hz]	0.5

1) Measured at a distance of 80 mm from the centre of the hand lever fitting

**Technical data – 3/2-way valve**

Type	VHEF-HT-B32...18	VHEF-HT-B32...14	VHEF-HT-M32...18	VHEF-HT-M32...14
Design	Poppet valve			
Standard nominal flow rate $\frac{1 \rightarrow 2}{3 \rightarrow 2}$ [l/min]	750	870	750	870
flow rate $\frac{3 \rightarrow 2}{1 \rightarrow 2}$ [l/min]	665	750	665	750
Valve function	3/2-way valve, bistable		3/2-way valve, open/closed, monostable	
Overlap	Zero overlap		Zero overlap	
Reset method	–		Mechanical spring	
Manual override	Detenting			
Actuating torque at 6 bar [Nm]	0.7		0.6	
Release torque at 6 bar [Nm]	0.4	0.4	–	–
Pneumatic port 1, 2, 3	G1/8	G1/4	G1/8	G1/4
Nominal width [mm]	5.6	6	5.6	6
Product weight [g]	236	230	236	230

Datasheet – Hand lever valve

Technical data – 5/2-way valve				VHEF-H-M52-M-...18	VHEF-H-M52-M-...14	VHEF-H-B52-...18	VHEF-H-B52-...14
Type							
Design				Piston slide			
Standard nominal flow rate	1 → 2	[l/min]		750	1200	750	1200
Valve function				5/2-way valve, monostable		5/2-way valve, bistable	
Overlap				Positive overlap		Positive overlap	
Reset method				Mechanical spring		–	
Manual override				–	–	Detenting	Detenting
Actuating torque at 6 bar		[Nm]		0.6		0.6	
Release torque at 6 bar		[Nm]		–	–	0.5	0.5
Pneumatic port 1, 2, 3, 4, 5				G1/8	G1/4	G1/8	G1/4
Nominal width		[mm]		5.2	7	5.2	7
Product weight		[g]		265	298	265	298

Technical data – 5/3-way valve										
Type VHEF-HS-	B53C-...18	B53C-...14	B53E-...18	B53E-...14	P53C-...18	P53C-...14	P53E-...18	P53E-...14		
Design	Piston slide									
Standard nominal flow rate	1 → 2	[l/min]	700	1200	530	750	700	1200	530	750
	4 → 5	[l/min]	–	–	400	470	–	–	400	470
	2 → 3	[l/min]	–	–	400	470	–	–	400	470
Valve function	5/3-way valve, closed			5/3-way valve, exhausted		5/3-way valve, closed		5/3-way valve, exhausted		
Overlap	Positive overlap			Positive overlap		Positive overlap		Positive overlap		
Reset method	–			–		Mechanical spring		Mechanical spring		
Manual override	Detenting			Detenting		–		–		
Actuating torque at 6 bar		[Nm]	0.7				0.7			
Release torque at 6 bar		[Nm]	0.6	0.6	0.6	0.6	–	–	–	–
Pneumatic port 1, 2, 3, 4, 5	G1/8		G1/4	G1/8	G1/4	G1/8	G1/4	G1/8	G1/4	
Nominal width		[mm]	5.2	7	5.2	7	5.2	7	5.2	7
Product weight		[g]	265	298	265	298	265	298	265	298

## Datasheet – Hand lever valve

Materials	
Housing	Anodised wrought aluminium alloy
Lever	PA-reinforced
Cover	PA-reinforced
Seal	NBR
Note on materials	RoHS-compliant
PWIS conformity	VDMA24364-B1/B2-L

Operating and environmental conditions	
Operating medium	Compressed air to ISO 8573-1:2010 [7:-:-]
Note on the operating/pilot medium	Lubricated operation possible (in which case lubricated operation will always be required)
Operating pressure	[MPa] -0.095 ... 1
	[bar] -0.95 ... 10
Temperature of medium	[°C] -10 ... +60
Ambient temperature	[°C] -10 ... +60
Corrosion resistance class CRC <sup>1)</sup>	1

1) Corrosion resistance class CRC 1 to Festo standard FN 940070

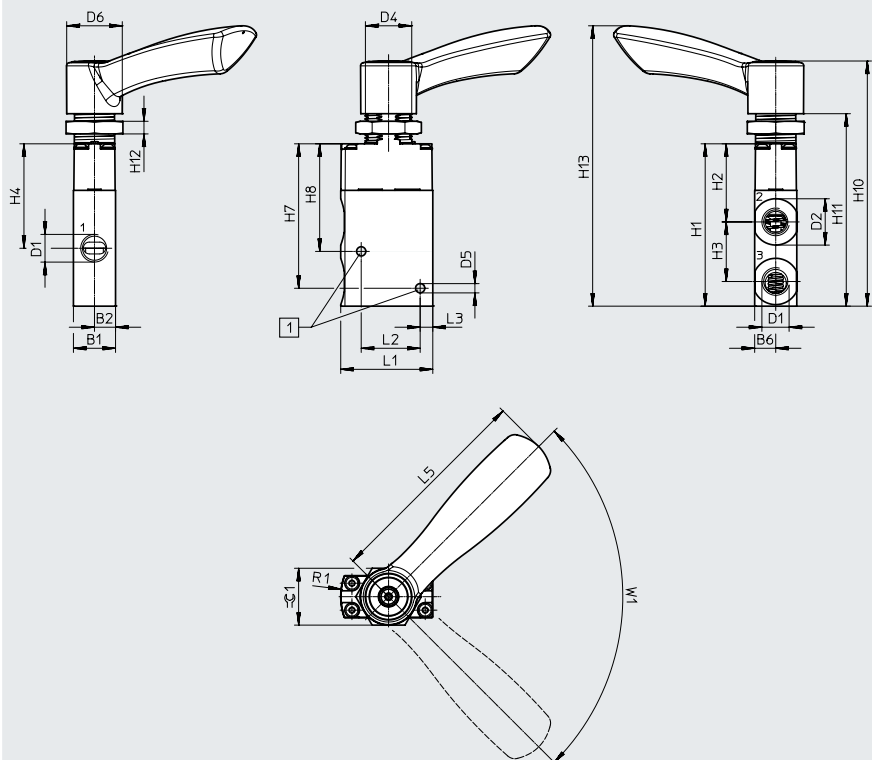
Low corrosion stress. Dry internal application or transport and storage protection. Also applies to parts behind covers, in the non-visible interior area, or parts which are covered in the application (e.g. drive trunnions).

## Datasheet – Hand lever valve

### Dimensions

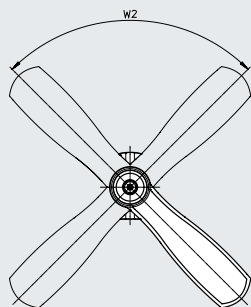
Download CAD data → [www.festo.com](http://www.festo.com)

3/2-way valve



[1] Mounting holes for M4 screws

VHEF-HT...



Type	B1	B2	B6	D1	D2 Ø	D4	D5 Ø	D6 Ø	H1	H2	H3	H4	H7
VHEF-HT...32...-G18	20	10	10	G1/8	16.5	M22x1.5	4.4	26.4	77.1	37.1	28.3	49.6	68.6
VHEF-HT...32...-G14				G1/4	22								

Type	H8	H10	H11	H12	H13	L1	L2	L3	L5	R1	W1	⊙ 1
VHEF-HT...32...-G18	51.1	116.4	91.4	6	133.1	43.7	28	6	100.9	30	90°	27 mm
VHEF-HT...32...-G14												

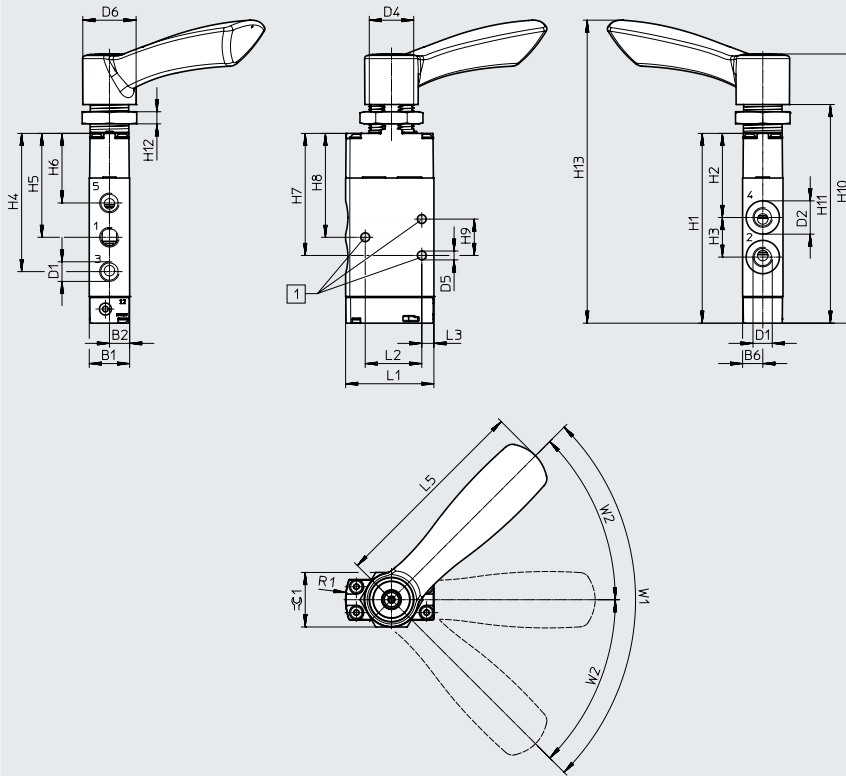
Type	W2
VHEF-HT...	90°

Datasheet – Hand lever valve

Dimensions

Download CAD data → [www.festo.com](http://www.festo.com)

5/2-way and 5/3-way valve

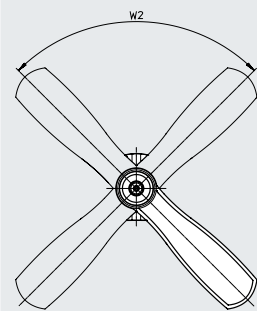


[1] Mounting holes for M4 screws

W1 90° angle for 5/2-way valves (2 switching positions)

W2 2x 45° angle for 5/3-way valves (3 switching positions)

VHEF-HS...



Type	B1	B2	B6	D1	D2 ∅	D4	D5 ∅	D6 ∅	H1	H2	H3	H4	H5	H6
VHEF-H...52...-G18	20	10	10	G1/8	16.5	M22x1.5	4.4	26.4	94	41.7	19.6	68.5	51.5	34.5
VHEF-H...53...-G18				G1/8										
VHEF-H...52...-G14				G1/4	22				110.5	45.9	27.6	82.2	59.7	37.3
VHEF-H...53...-G14				G1/4										

Type	H7	H8	H9	H10	H11	H12	H13	L1	L2	L3	L5	R1	W1	W2	≈∅ 1
VHEF-HS...52...-G18	60.5	51.5	18	133.3	108.3	6	150	43.7	28	6	100.9	30	90°	-	27 mm
VHEF-HS...53...-G18													-	45°	
VHEF-HS...52...-G14	71.9	59.7	24.3	149.8	124.8	6	166.5						90°	-	
VHEF-HS...53...-G14													-	45°	




Type	W2
VHEF-HS...	90°

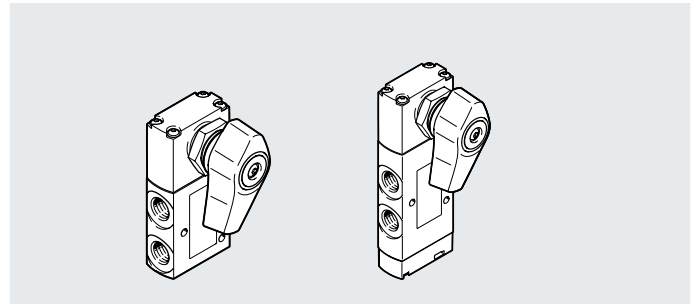
Datasheet – Hand lever valve

Ordering data					
Description	Reset method	Nominal flow rate [l/min]	Weight [g]	Part no.	Type
3/2-way valve	–	750	236	<b>8080940</b>	<b>VHEF-HT-B32-G18</b>
		870	230	<b>8080939</b>	<b>VHEF-HT-B32-G14</b>
	Mechanical spring	750	236	<b>8080936</b>	<b>VHEF-HT-M32-M-G18</b>
		870	230	<b>8081000</b>	<b>VHEF-HT-M32-M-G14</b>
5/2-way valve	–	750	265	<b>8080932</b>	<b>VHEF-H-B52-G18</b>
		1200	298	<b>8080931</b>	<b>VHEF-H-B52-G14</b>
	Mechanical spring	750	265	<b>8081001</b>	<b>VHEF-H-M52-M-G18</b>
		1200	298	<b>8081006</b>	<b>VHEF-H-M52-M-G14</b>
5/3-way valve	–	700	265	<b>8080945</b>	<b>VHEF-H-B53C-G18</b>
		1200	298	<b>8080943</b>	<b>VHEF-H-B53C-G14</b>
		530	265	<b>8080948</b>	<b>VHEF-H-B53E-G18</b>
		900	298	<b>8080947</b>	<b>VHEF-H-B53E-G14</b>
	Mechanical spring	700	265	<b>8080952</b>	<b>VHEF-H-P53C-M-G18</b>
		1200	298	<b>8080951</b>	<b>VHEF-H-P53C-M-G14</b>
		530	265	<b>8080956</b>	<b>VHEF-H-P53E-M-G18</b>
		900	298	<b>8080955</b>	<b>VHEF-H-P53E-M-G14</b>



## Datasheet – Selector valve, sideways

-  Flow rate  
530 ... 1200 l/min
-  Pressure  
-0.095 ... 1 MPa  
-0.95 ... 10 bar
-  Temperature range  
-10 ... +60°C


**General technical data**

Design	Selector switch, sideways
Width [mm]	20
Type of control	Directly actuated
Application information	Manual actuation only The hand lever valve can be rotated 90° during mounting.
Actuation type	Manual
Type of mounting	Via through-hole or front panel using retaining nut
Sealing principle	Soft
Flow direction	Reversible
Exhaust function	Can be throttled
Mounting position	Any
Max. force when actuating the hand lever <sup>1)</sup> [N]	200
Max. lateral force when actuating the hand lever <sup>1)</sup> [N]	200
Max. switching frequency [Hz]	0.5

1) Measured at a distance of 30 mm from the centre of the selector switch fitting

**Technical data – 3/2-way valve**

Type	VHEF-EST-B32...18	VHEF-EST-B32...14	VHEF-EST-M32...18	VHEF-EST-M32...14
Design	Poppet valve			
Standard nominal flow rate $1 \rightarrow 2$ [l/min]	750	870	750	870
flow rate $3 \rightarrow 2$ [l/min]	665	750	665	750
Valve function	3/2-way valve, bistable		3/2-way valve, open/closed, monostable	
Overlap	Zero overlap		Zero overlap	
Reset method	–		Mechanical spring	
Manual override	Detenting			
Actuating torque at 6 bar [Nm]	0.4		0.4	
Pneumatic port 1, 2, 3	G1/8	G1/4	G1/8	G1/4
Nominal width [mm]	5.6	6	5.6	6
Product weight [g]	206	200	206	200

## Datasheet – Selector valve, sideways

Technical data – 5/2-way valve				VHEF-ES-M52-M-...18	VHEF-ES-M52-M-...14	VHEF-ES-B52-...18	VHEF-ES-B52-...14	
Type	Piston slide							
Standard nominal flow rate	1 → 2 [l/min]	750	1200	750	1200	750	1200	
Valve function	5/2-way valve, monostable			5/2-way valve, bistable				
Overlap	Positive overlap			Positive overlap				
Reset method	Mechanical spring			–				
Manual override	–			–		Detenting		Detenting
Actuating torque at 6 bar	[Nm]	0.3		–		0.2		–
Pneumatic port 1, 2, 3, 4, 5		G1/8		G1/4		G1/8		G1/4
Nominal width	[mm]	5.2		7		5.2		7
Product weight	[g]	235		268		235		268

Technical data – 5/3-way valve									
Type VHEF-ES-	B53C-...18	B53C-...14	B53E-...18	B53E-...14	P53C-...18	P53C-...14	P53E-...18	P53E-...14	
Design	Piston slide								
Standard nominal flow rate	1 → 2 [l/min]	700	1200	530	900	700	1200	530	900
	4 → 5 [l/min]	–	–	400	470	–	–	400	470
	2 → 3 [l/min]	–	–	400	470	–	–	400	470
Valve function	5/3-way valve, closed			5/3-way valve, exhausted		5/3-way valve, closed		5/3-way valve, exhausted	
Overlap	Positive overlap			Positive overlap		Positive overlap		Positive overlap	
Reset method	–			–		Mechanical spring		Mechanical spring	
Manual override	Detenting			Detenting		–		–	
Actuating torque at 6 bar	[Nm]	0.3				0.7			
Pneumatic port 1, 2, 3, 4, 5		G1/8	G1/4	G1/8	G1/4	G1/8	G1/4	G1/8	G1/4
Nominal width	[mm]	5.2	7	5.2	7	5.2	7	5.2	7
Product weight	[g]	235	268	235	268	235	268	235	268

Materials	
Housing	Anodised wrought aluminium alloy
Lever	PA-reinforced
Cover	PA-reinforced
Seal	NBR
Note on materials	RoHS-compliant
PWIS conformity	VDMA24364-B1/B2-L

Operating and environmental conditions	
Operating medium	Compressed air to ISO 8573-1:2010 [7:-:-]
Note on the operating/pilot medium	Lubricated operation possible (in which case lubricated operation will always be required)
Operating pressure	[MPa] –0.095 ... 1
	[bar] –0.95 ... 10
Temperature of medium	[°C] –10 ... +60
Ambient temperature	[°C] –10 ... +60
Corrosion resistance class CRC <sup>1)</sup>	1

1) Corrosion resistance class CRC 1 to Festo standard FN 940070

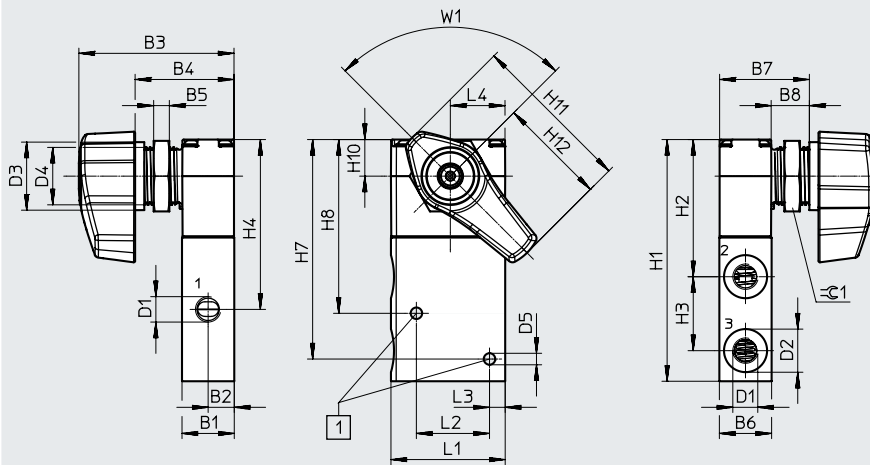
Low corrosion stress. Dry internal application or transport and storage protection. Also applies to parts behind covers, in the non-visible interior area, or parts which are covered in the application (e.g. drive trunnions).

Datasheet – Selector valve, sideways

Dimensions

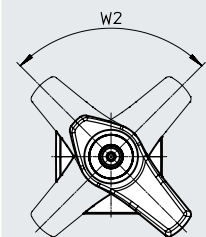
Download CAD data → [www.festo.com](http://www.festo.com)

3/2-way valve



[1] Mounting holes for M4 screws

VHEF-EST...



Type	B1	B2	B3	B4	B5	B6	B7	B8	D1	D2 ∅	D3 ∅	D4	D5 ∅	H1
VHEF-EST...32...G18	20	10	59.4	38	6	10	34.5	14.6	G1/8	16.5	26	M22x1.5	4.4	92.5
VHEF-EST...32...G14									G1/4	22				

Type	H2	H3	H4	H7	H8	H10	H11	H12	L1	L2	L3	L4	W1	⊕ 1
VHEF-EST...32...G18	52.5	28.3	65	84	66.5	14	62.2	41.5	43.7	28	6	20.9	90°	27 mm
VHEF-EST...32...G14														

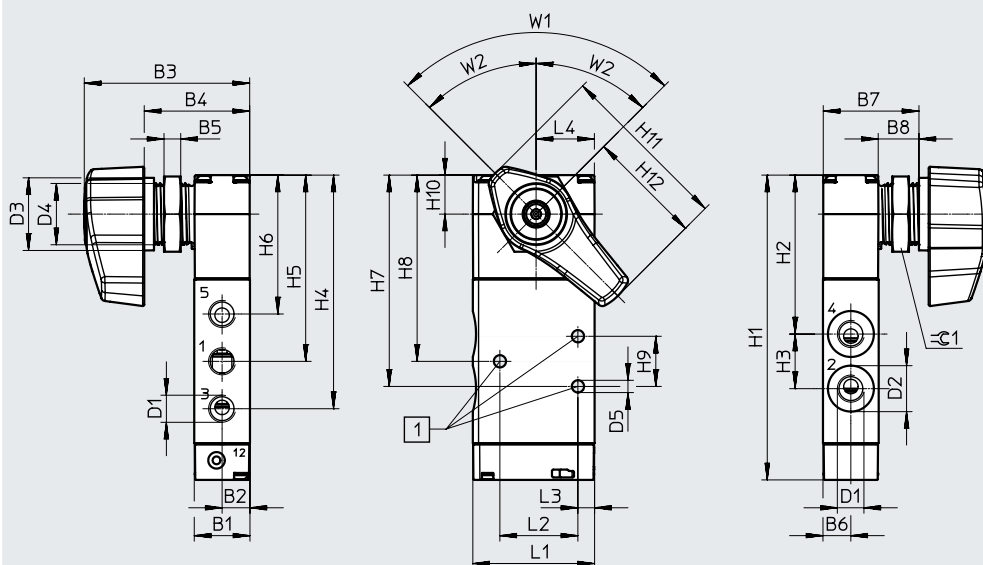
Type	W2
VHEF-EST...	90°

Datasheet – Selector valve, sideways

Dimensions

Download CAD data → [www.festo.com](http://www.festo.com)

5/2-way and 5/3-way valve

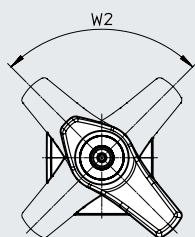


[1] Mounting holes for M4 screws

W1 90° angle for 5/2-way valves (2 switching positions)

W2 2x 45° angle for 5/3-way valves (3 switching positions)

VHEF-ES...



Type	B1	B2	B3	B4	B5	B6	B7	B8	D1	D2 ∅	D3 ∅	D4	D5 ∅	H1	H2	H3
VHEF-ES...52...-G18	20	10	59.4	38	6	10	34.5	14.6	G1/8	16.5	26	M22x1.5	4.4	109.4	57.1	19.6
VHEF-ES...53...-G18									G1/8							
VHEF-ES...52...-G14									G1/4	22			125.9	61.3	27.6	
VHEF-ES...53...-G14									G1/4							




Type	H4	H5	H6	H7	H8	H9	H10	H11	H12	L1	L2	L3	L4	W1	W2	≈ 1												
VHEF-ES...52...-G18	83.9	66.9	49.9	75.9	66.9	18	14	62.2	41.5	43.7	28	6	20.9	90°	-	27 mm												
VHEF-ES...53...-G18														-	45°													
VHEF-ES...52...-G14														97.6	75.1		52.7	87.3	75.1	24.3							90°	-
VHEF-ES...53...-G14																											-	45°

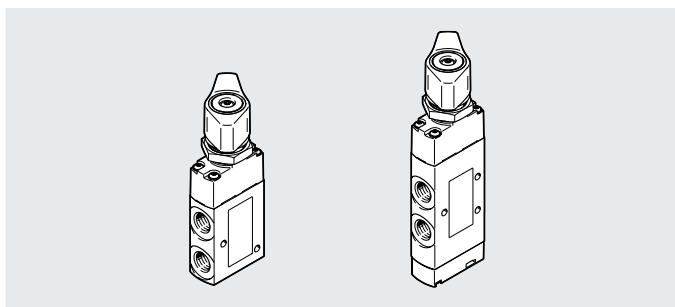
Type	W2
VHEF-ES...	90°

## Datasheet – Selector valve, sideways

Ordering data					
Description	Reset method	Nominal flow rate [l/min]	Weight [g]	Part no.	Type
3/2-way valve	–	750	206	4106814	VHEF-EST-B32-G18
		870	200	4106815	VHEF-EST-B32-G14
	Mechanical spring	750	206	4106806	VHEF-EST-M32-M-G18
		870	200	4106807	VHEF-EST-M32-M-G14
5/2-way valve	Mechanical spring	750	235	4106808	VHEF-ES-M52-M-G18
		1200	268	4106809	VHEF-ES-M52-M-G14
	–	750	235	4106816	VHEF-ES-B52-G18
		1200	268	4106817	VHEF-ES-B52-G14
5/3-way valve	–	700	235	4106818	VHEF-ES-B53C-G18
		1200	268	4106819	VHEF-ES-B53C-G14
		530	235	4106820	VHEF-ES-B53E-G18
		900	268	4106821	VHEF-ES-B53E-G14
	Mechanical spring	700	235	4106810	VHEF-ES-P53C-M-G18
		1200	268	4106811	VHEF-ES-P53C-M-G14
		530	235	4106812	VHEF-ES-P53E-M-G18
		900	268	4106813	VHEF-ES-P53E-M-G14

Datasheet – Selector valve

-  Flow rate  
530 ... 1200 l/min
-  Pressure  
-0.095 ... 1 MPa  
-0.95 ... 10 bar
-  Temperature range  
-10 ... +60°C



General technical data	
Design	Selector switch
Width [mm]	20
Type of control	Directly actuated
Application information	Manual actuation only The hand lever valve can be rotated 90° during mounting.
Actuation type	Manual
Type of mounting	Via through-hole or front panel using retaining nut
Sealing principle	Soft
Flow direction	Reversible
Exhaust function	Can be throttled
Mounting position	Any
Max. force when actuating the hand lever <sup>1)</sup> [N]	200
Max. lateral force when actuating the hand lever <sup>1)</sup> [N]	200
Max. switching frequency [Hz]	0.5

1) Measured at a distance of 30 mm from the centre of the selector switch fitting

Technical data – 3/2-way valve				
Type	VHEF-ET-B32...18	VHEF-ET-B32...14	VHEF-ET-M32...18	VHEF-ET-M32...14
Design	Poppet valve			
Standard nominal flow rate $1 \rightarrow 2$ [l/min]	750	870	750	870
Standard nominal flow rate $3 \rightarrow 2$ [l/min]	665	750	665	750
Valve function	3/2-way valve, bistable		3/2-way valve, open/closed, monostable	
Overlap	Zero overlap		Zero overlap	
Reset method	-		Mechanical spring	
Manual override	Detenting			
Actuating torque at 6 bar [Nm]	0.7		0.4	
Release torque at 6 bar [Nm]	0.4	0.4	-	-
Pneumatic port 1, 2, 3	G1/8	G1/4	G1/8	G1/4
Nominal width [mm]	5.6	6	5.6	6
Product weight [g]	206	200	206	200

## Datasheet – Selector valve

Technical data – 5/2-way valve				VHEF-E-M52-M-...18	VHEF-E-M52-M-...14	VHEF-E-B52-...18	VHEF-E-B52-...14
Type							
Design				Piston slide			
Standard nominal flow rate	1 → 2	[l/min]		750	1200	750	1200
Valve function				5/2-way valve, monostable		5/2-way valve, bistable	
Overlap				Positive overlap		Positive overlap	
Reset method				Mechanical spring		–	
Manual override				–	–	Detenting	Detenting
Actuating torque at 6 bar		[Nm]		0.3		0.3	
Release torque at 6 bar		[Nm]		–	–	0.3	0.3
Pneumatic port 1, 2, 3, 4, 5				G1/8	G1/4	G1/8	G1/4
Nominal width		[mm]		5.2	7	5.2	7
Product weight		[g]		235	268	235	268

Technical data – 5/3-way valve										
Type VHEF-E-			B53C-...18	B53C-...14	B53E-...18	B53E-...14	P53C-...18	P53C-...14	P53E-...18	P53E-...14
Design			Piston slide							
Standard nominal flow rate	1 → 2	[l/min]	700	1200	530	750	700	1200	530	750
	4 → 5	[l/min]	–	–	400	470	–	–	400	470
	2 → 3	[l/min]	–	–	400	470	–	–	400	470
Valve function			5/3-way valve, closed		5/3-way valve, exhausted		5/3-way valve, closed		5/3-way valve, exhausted	
Overlap			Positive overlap		Positive overlap		Positive overlap		Positive overlap	
Reset method			–		–		Mechanical spring		Mechanical spring	
Manual override			Detenting		Detenting		–		–	
Actuating torque at 6 bar		[Nm]	0.4				0.7			
Release torque at 6 bar		[Nm]	0.4	0.4	0.4	0.4	–	–	–	–
Pneumatic port 1, 2, 3, 4, 5			G1/8	G1/4	G1/8	G1/4	G1/8	G1/4	G1/8	G1/4
Nominal width		[mm]	5.2	7	5.2	7	5.2	7	5.2	7
Product weight		[g]	235	268	235	268	235	268	235	268

## Datasheet – Selector valve

Materials		
Housing	Anodised wrought aluminium alloy	
Lever	PA-reinforced	
Cover	PA-reinforced	
Seal	NBR	
Note on materials	RoHS-compliant	
PWIS conformity	VDMA24364-B1/B2-L	
Operating and environmental conditions		
Operating medium	Compressed air to ISO 8573-1:2010 [7:-:-]	
Note on the operating/pilot medium	Lubricated operation possible (in which case lubricated operation will always be required)	
Operating pressure	[MPa]	-0.095 ... 1
	[bar]	-0.95 ... 10
Temperature of medium	[°C]	-10 ... +60
Ambient temperature	[°C]	-10 ... +60
Corrosion resistance class CRC <sup>1)</sup>		1

1) Corrosion resistance class CRC 1 to Festo standard FN 940070

Low corrosion stress. Dry internal application or transport and storage protection. Also applies to parts behind covers, in the non-visible interior area, or parts which are covered in the application (e.g. drive trunnions).

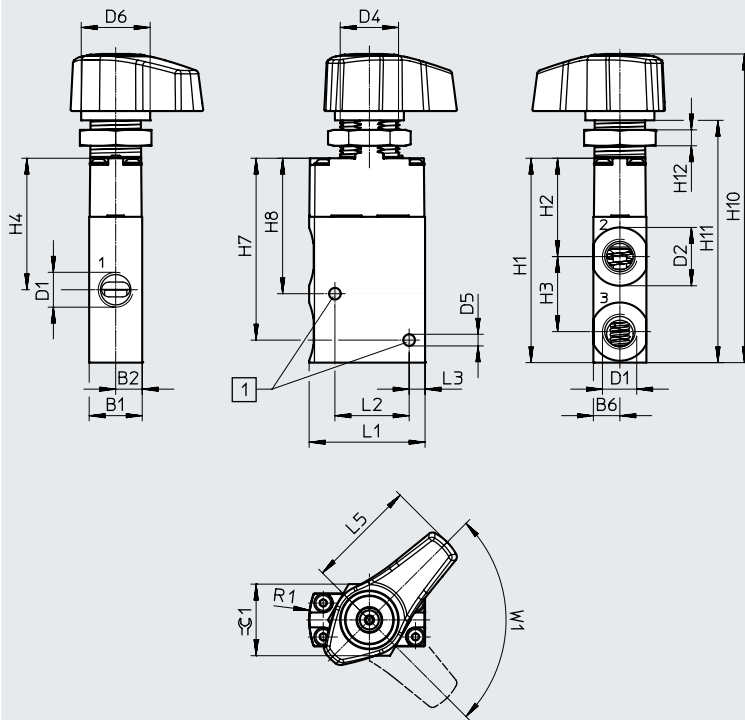


Datasheet – Selector valve

Dimensions

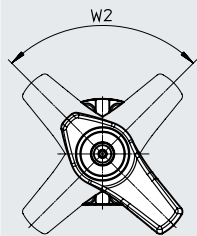
Download CAD data → [www.festo.com](http://www.festo.com)

3/2-way valve



[1] Mounting holes for M4 screws

VHEF-ET...



Type	B1	B2	B6	D1	D2 ∅	D4	D5 ∅	D6 ∅	H1	H2	H3	H4
VHEF-ET...32...G18	20	10	10	G1/8	16.5	M22x1.5	4.4	26	77.1	37.1	28.3	49.6
VHEF-ET...32...G14				G1/4	22							

Type	H7	H8	H10	H11	H12	L1	L2	L3	L5	R1	W1	≈C 1
VHEF-ET...32...G18	68.6	51.1	116.5	91.5	6	43.7	28	6	41.5	30	90°	27 mm
VHEF-ET...32...G14												

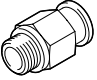

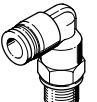
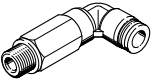
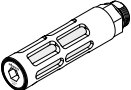
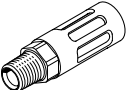
Type	W2
VHEF-ET...	90°



## Datasheet – Selector valve

Ordering data					
Description	Reset method	Nominal flow rate [l/min]	Weight [g]	Part no.	Type
3/2-way valve	–	750	206	<b>8080964</b>	<b>VHEF-ET-B32-G18</b>
		870	200	<b>8080963</b>	<b>VHEF-ET-B32-G14</b>
	Mechanical spring	750	206	<b>8080968</b>	<b>VHEF-ET-M32-M-G18</b>
		870	200	<b>8080967</b>	<b>VHEF-ET-M32-M-G14</b>
5/2-way valve	–	750	235	<b>8080960</b>	<b>VHEF-E-B52-G18</b>
		1200	268	<b>8080959</b>	<b>VHEF-E-B52-G14</b>
	Mechanical spring	750	235	<b>8080972</b>	<b>VHEF-E-M52-M-G18</b>
		1200	268	<b>8080971</b>	<b>VHEF-E-M52-M-G14</b>
5/3-way valve	–	700	235	<b>8080976</b>	<b>VHEF-E-B53C-G18</b>
		1200	268	<b>8080975</b>	<b>VHEF-E-B53C-G14</b>
		530	235	<b>8080980</b>	<b>VHEF-E-B53E-G18</b>
		900	268	<b>8080979</b>	<b>VHEF-E-B53E-G14</b>
	Mechanical spring	700	235	<b>8080984</b>	<b>VHEF-E-P53C-M-G18</b>
		1200	268	<b>8080983</b>	<b>VHEF-E-P53C-M-G14</b>
		530	235	<b>8080988</b>	<b>VHEF-E-P53E-M-G18</b>
		900	268	<b>8080987</b>	<b>VHEF-E-P53E-M-G14</b>

Accessories

Ordering data	Description	Part no.	Type	PU <sup>1)</sup>
<b>Push-in fitting, straight</b>				
	With external hex	Connecting thread G1/4 for tubing O.D.	12 mm	<b>186350</b> <b>QS-G1/4-12</b> <b>10</b>
	With internal hex	Connecting thread M5 for tubing O.D.	4 mm	<b>153315</b> <b>QSM-M5-4-I</b> <b>10</b>
			Connecting thread G1/8 for tubing O.D.	4 mm
				<b>133008</b> <b>QS-G1/8-4-I-100</b> <b>100</b>
		6 mm		<b>186107</b> <b>QS-G1/8-6-I</b> <b>10</b>
				<b>133009</b> <b>QS-G1/8-6-I-100</b> <b>100</b>
		8 mm	<b>186109</b> <b>QS-G1/8-8-I</b> <b>10</b>	
		<b>133010</b> <b>QS-G1/8-8-I-100</b> <b>100</b>		
Connecting thread G1/4 for tubing O.D.	8 mm	<b>186110</b> <b>QS-G1/4-8-I</b> <b>10</b>		
	10 mm	<b>186112</b> <b>QS-G1/4-10-I</b> <b>10</b>		
<b>Push-in fitting, angled</b>				
	With external hex	Connecting thread G1/8 for tubing O.D.	4 mm	<b>186116</b> <b>QSL-G1/8-4</b> <b>10</b>
				<b>132048</b> <b>QSL-G1/8-4-100</b> <b>100</b>
			6 mm	<b>186117</b> <b>QSL-G1/8-6</b> <b>10</b>
			<b>132049</b> <b>QSL-G1/8-6-100</b> <b>100</b>	
		8 mm	<b>186119</b> <b>QSL-G1/8-8</b> <b>10</b>	
			<b>132050</b> <b>QSL-G1/8-8-50</b> <b>50</b>	
		Connecting thread G1/4 for tubing O.D.	8 mm	<b>186120</b> <b>QSL-G1/4-8</b> <b>10</b>
				<b>132052</b> <b>QSL-G1/4-8-50</b> <b>50</b>
			10 mm	<b>186122</b> <b>QSL-G1/4-10</b> <b>10</b>
		<b>132053</b> <b>QSL-G1/4-10-50</b> <b>50</b>		
12 mm	<b>186351</b> <b>QSL-G1/4-12</b> <b>10</b>			
	<b>132054</b> <b>QSL-G1/4-12-20</b> <b>20</b>			
<b>Push-in fitting, angled, long</b>				
	With external hex	Connecting thread G1/8 for tubing O.D.	4 mm	<b>186127</b> <b>QSL-G1/8-4</b> <b>10</b>
				<b>133015</b> <b>QSL-G1/8-4-100</b> <b>100</b>
			6 mm	<b>186128</b> <b>QSL-G1/8-6</b> <b>10</b>
				<b>133016</b> <b>QSL-G1/8-6-100</b> <b>100</b>
			8 mm	<b>186130</b> <b>QSL-G1/8-8</b> <b>10</b>
	<b>133017</b> <b>QSL-G1/8-8-100</b> <b>100</b>			
<b>Silencers</b>				
	Polymer	With connecting thread	G1/8	<b>2307</b> <b>U-1/8</b> <b>1</b>
				<b>534222</b> <b>U-1/8-50</b> <b>50</b>
			G1/4	<b>2316</b> <b>U-1/4</b> <b>1</b>
				<b>534223</b> <b>U-1/4-20</b> <b>20</b>
	Metal	With connecting thread	G1/8	<b>6841</b> <b>U-1/8-B</b> <b>1</b>
			G1/4	<b>6842</b> <b>U-1/4-B</b> <b>1</b>

1) Packaging unit