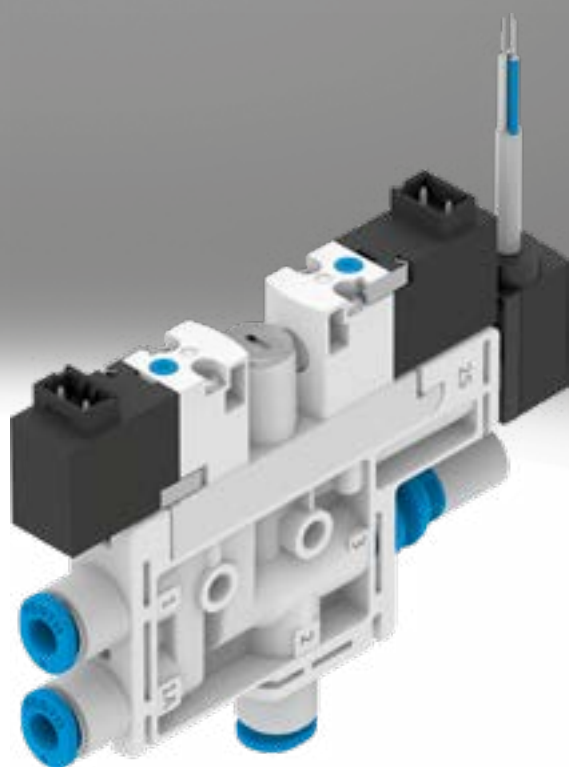


Vacuum generators OVEL

FESTO



Key features

At a glance

Rapid reduction of the vacuum for safe placement of the workpiece by a solenoid valve to control the ejector pulse, optional

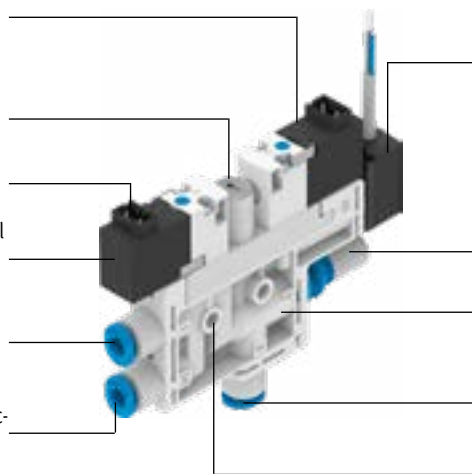
Flow control screw to adjust the ejector impulse

Electrical connection via H3 plug

Fast vacuum build-up using a solenoid valve to control the compressed air supply

Supply port, secured with wire clamp

Additional supply port for separate supply for the ejector pulse, optional, secured with wire clamp



Pressure transmitter SPTE/pressure sensor SPAE for monitoring the vacuum, optional, secured with wire clamp

Maintenance-free operation and reduced noise level by an open silencer, optional

Vacuum generator cartridge, secured with wire clamp

Vacuum port, secured with clamping clip

Housing with mounting holes

The compact vacuum generator

OVEL → page 3

- Low-cost, compact vacuum generator
- Low weight
- Various performance levels and vacuum types
- Short switching times with integrated solenoid valves
 - Vacuum on/off
 - Ejector pulse
- Simple installation with H3 plugs and push-in fittings
- Straightforward mounting with retaining screws

- Low-noise operation due to integrated silencer
- Integrated filter
- Reduced contamination of the vacuum generator thanks to an open silencer
- Solenoid valves are switched by mechanical manual override
- Vacuum monitored by vacuum sensor
- Link up to 8 vacuum generators on a single common supply manifold.

OVTL → ovtl

The vacuum generator OVTL is a configurable module comprising vacuum generators OVEL, the common supply manifold OABM-P and connection accessories. All products are available from the factory fully assembled.



Functional principle of OVEL

Vacuum ON/OFF

The compressed air supply is controlled by a solenoid valve. The solenoid valve can be supplied with the N/C (normally closed) switching func-

tion, i.e. the vacuum is not generated until the vacuum generator is pressurised with compressed air and the solenoid valve has been switched.

Optional ejector pulse

After the vacuum is switched off, an ejector pulse is activated and generated by a second solenoid valve to release the workpiece safely from the suction cup with connection and to quickly reduce the vacuum.

The compressed air for the ejector pulse can be supplied either via the supply port or a separate port.

Vacuum sensor, optional

The set or taught-in setpoint value for the generated vacuum is monitored by a vacuum sensor.

If the setpoint value is reached or if it is not reached due to malfunctions (e.g. leakages, dropped workpiece), the vacuum sensor emits an electrical signal.

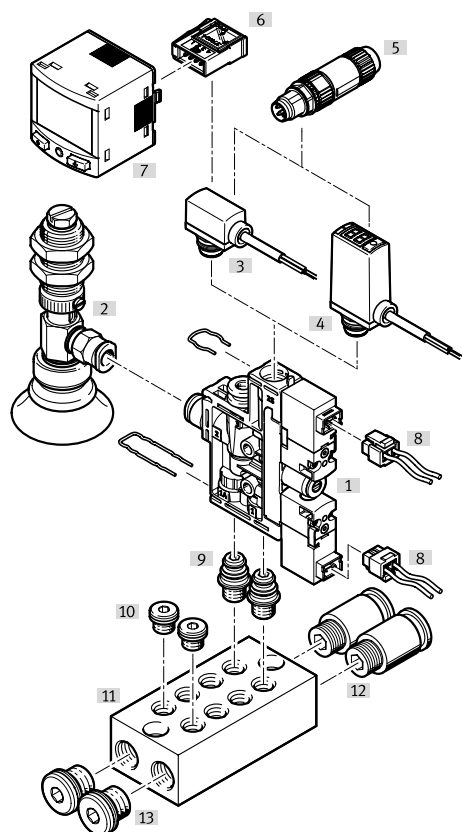
OVEL-...-V1B/V1V/B2B/B2V:

Pressure transmitter SPTE with an analogue output (→ page 17). Detection of analogue signals and conversion into digital signals with downstream signal converter SCDN with LCD display (→ page 22).

OVEL-...-V1PNLK/B2PNLK:

Pressure sensor SPAE with various switching outputs and LCD display, IO-Link® and teach-in function (→ page 19).

Peripherals overview



Mounting attachments and accessories		OVEL-...PQ	OVEL-...P	→ Page/Internet
[1]	Vacuum generators OVEL	■	■	4
[2]	Suction gripper ESG	■	■	esg
[3]	Pressure transmitter SPTE	■	■	17
[4]	Pressure sensor SPAЕ	■	■	19
[5]	Plug NECU-S-M8G3/M12G3	■	■	22
[6]	Plug NECU-S-ECG4	■	■	22
[7]	Signal converter SCDN	■	■	22
[8]	Plug socket with cable NEBV	■	■	22
[9]	Mounting kit OABM-MK	–	■	15
[10]	Blanking plug B-M7	–	■	22
[11]	Common supply manifold OABM-P	–	■	13
[12]	Push-in fitting QS	–	■	22
[13]	Blanking plug B-1/8	–	■	22
–	Suction cup complete holder ESH	■	■	esh
–	Suction cup with connection ESS	■	■	ess
–	Vacuum filter OAFF	■	■	16

Type codes

001	Series	
OVEL	Vacuum suction nozzle, electropneumatic	
002	Vacuum generation	
5	Laval nozzle 0.45 mm	
7	Laval nozzle 0.7 mm	
10	Laval nozzle 0.95 mm	
003	Vacuum type	
H	High vacuum	
L	High suction rate	
004	Size	
10	10	
15	15	
005	Supply air connection	
P	For P linking	
PQ	QS connections, metric	
006	Vacuum connection	
VM7	M7	
VQ3	Push-in connector 3 mm	
VQ4	Push-in connector 4 mm	
VQ6	Push-in connector 6 mm	
007	Exhaust connection	
RQ	QS connections, metric	
UA	Open silencer UO	
UC	Closed silencer UC	

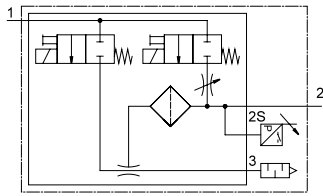
008	Ejector pulse connection	
	Via supply air connection	
Z	Additional connection	
009	Vacuum valve	
C	Normally closed	
010	Additional function	
	Without ejector pulse	
A	Electric ejector pulse	
011	Pressure measuring range vacuum sensor	
	Without vacuum sensor	
V1	0 ... -1 bar	
B2	-1 ... 1 bar	
012	Output signal vacuum sensor	
	Without vacuum sensor	
B	1 ... 5 V	
V	0 ... 10 V	
PNLK	PNP or NPN or IO-Link®	
013	Electrical connection	
H3	Connection pattern H, vertical plug	
014	Robot connection	
	None	
RA1	Universal robots	



Note

The ordering data include possible combinations.

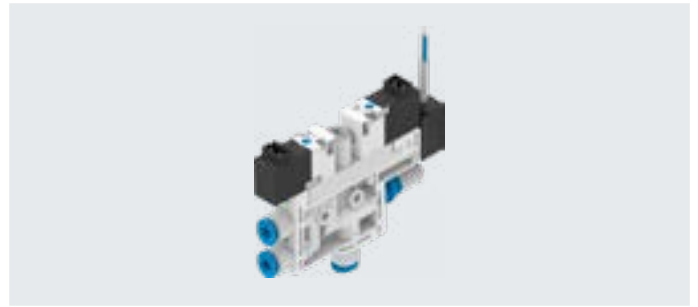
Datasheet



Function

N/C, normally closed:

- With/without ejector pulse
- Push-in connectors
- Open silencer
- With/without vacuum sensor
- Prepared for common supply manifold



General technical data		OVEL-5-H	OVEL-5-L	OVEL-7-H	OVEL-7-L	OVEL-10-H/L
Type						
Nominal width of Laval nozzle	[mm]	0.45		0.7		0.95
Grid dimension	[mm]	10		15		15
Grade of filtration	[µm]	40				
Mounting position		Any				
Type of mounting		With through-hole On manifold rail				
Pneumatic port 1	OVEL-...-P	Common line via manifold rail				
	OVEL-...-PQ-VQ3	For tubing O.D. 3 mm	–	–	–	–
	OVEL-...-PQ	For tubing O.D. 4 mm		For tubing O.D. 4 mm	For tubing O.D. 6 mm	For tubing O.D. 6 mm
Vacuum port	OVEL-...-VQ3	For tubing O.D. 3 mm		–		–
	OVEL-...-VQ4	For tubing O.D. 4 mm		For tubing O.D. 4 mm	–	–
	OVEL-...-VQ6	–		–	For tubing O.D. 6 mm	For tubing O.D. 6 mm
Pneumatic port 3	OVEL-...-UA	Silencer open				
	OVEL-...-RQ	For tubing O.D. 4 mm		For tubing O.D. 6 mm		For tubing O.D. 6 mm
Port for ejector pulse ¹⁾	OVEL-...-ZA	Corresponds to the selected size of pneumatic port 1				

1) If there is no ejector pulse or the ejector pulse is generated via pneumatic port 1, the additional port for the ejector pulse is sealed with a blanking plug.

Technical data – design		OVEL-...-UA	OVEL-...-RQ
Type			
Design		T-shape	
Ejector characteristic	OVEL-...-H	High vacuum/standard	
	OVEL-...-L	High suction rate/standard	
Silencer design		open	–
Integrated function		On/off valve, electric	
		Filter	
		Silencer open	
	OVEL-...-A	Electrical ejector pulse	
	OVEL-...-A	Flow control valve	
	OVEL-...-V1B/V1V/B2B/B2V	Pressure transmitter	
	OVEL-...-V1PNLK/B2PNLK	Pressure sensor	
Valve function		Closed	
Manual override		Non-detenting	

Datasheet

Operating and environmental conditions		
Operating pressure	[bar]	2 ... 7
Nominal operating pressure	[MPa]	0.4
	[bar]	4
	[bar]	58
Operating medium		Compressed air to ISO 8573-1:2010 [7:4:4]
Note on the operating/pilot medium		Lubricated operation not possible
LABS (PWIS) conformity		VDMA24364-B1/B2-L
Ambient temperature	[°C]	0 ... +50
Temperature of medium	[°C]	0 ... +50
Corrosion resistance class CRC ¹⁾		2
CE marking (see declaration of conformity) ²⁾		To EU EMC Directive
Certification ²⁾		cUL us - Listed (OL)
KC marking ³⁾		KC EMC
Degree of protection		IP40

- 1) Corrosion resistance class CRC 2 to Festo standard FN 940070
Moderate corrosion stress. Indoor applications in which condensation can occur. External visible parts with primarily decorative surface requirements that are in direct contact with a normal industrial environment.
- 2) Additional information: www.festo.com/catalogue/ovel → Support/Downloads.
If the devices are subject to usage restrictions in residential, commercial or light-industrial environments, further measures for the reduction of the emitted interference may be necessary.
- 3) Applies to products with vacuum sensor.

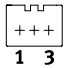
Performance data – high vacuum				
Type		OVEL-5-H	OVEL-7-H	OVEL-10-H
Max. vacuum	[%]	89	92	92
Operating pressure for max. vacuum	[MPa]	0.42	0.45	0.38
	[bar]	4.2	4.5	3.8
	[psi]	60.9	65.25	55.1
Operating pressure for max. suction rate	[MPa]	0.3	0.4	0.4
	[bar]	3	4	4
	[psi]	43.5	58	58
Max. suction rate with respect to atmosphere	[l/min]	4	17	21
Pressurisation time at nominal operating pressure 4 bar (for 1 l volume) ¹⁾	[s]	2	1.2	1
Sound pressure level at p ₁ = 4 bar	[db(A)]	64	61	68

- 1) Time required to reduce the vacuum to a residual vacuum of –0.05 bar

Performance data – high suction rate				
Type		OVEL-5-L	OVEL-7-L	OVEL-10-L
Operating pressure for max. suction rate	[bar]	5	5	6
Max. suction rate with respect to atmosphere	[l/min]	11	33	45
Pressurisation time at nominal operating pressure 4 bar (for 1 l volume) ¹⁾	[s]	0.8	0.4	0.4
Sound pressure level at p ₁ = 4 bar	[db(A)]	52	64	67

- 1) Time required to reduce the vacuum to a residual vacuum of –0.05 bar

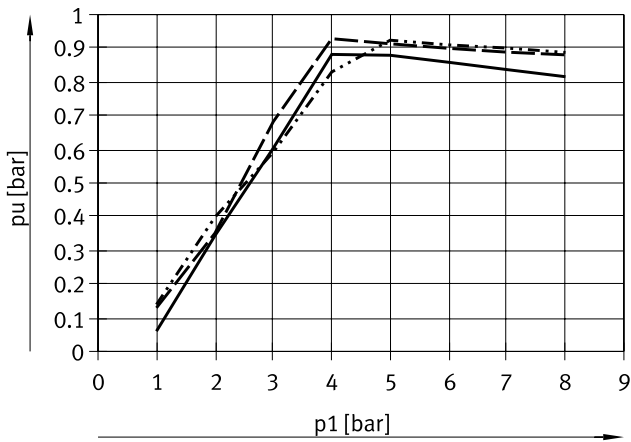
Datasheet

Technical data – electrical connection		OVEL without ejector pulse	OVEL with ejector pulse				
Solenoid valve							
Electrical connection input,	Function	Vacuum generation		Ejector pulse			
		–		–			
	Connection type	Plug		2x plugs			
	Connection technology	Plug pattern H					
	Number of pins/wires	2					
Plug pattern							
Type of mounting	Snap-locking						
Operating voltage range	[V DC]	21.6 ... 26.4					
Duty cycle	[%]	100					
Characteristic coil data, 24 V DC	[W]	1.0					
Vacuum sensor							
Electrical connection output,	Function	Sensor					
	Connection type	Cable					
	Connection technology	Open end					
	Number of pins/wires	3					
Cable diameter	[mm]	2.9 ±0.1					
Cable length	[m]	2.5					
Nominal conductor cross section	[mm ²]	0.14					
Cable characteristic		Suitable for energy chains					
Technical data – vacuum sensor							
Type		OVEL-...-V1B	OVEL-...-V1V	OVEL-...-B2B	OVEL-...-B2V	OVEL-...-V1PNLK	OVEL-...-B2PNLK
Mechanical system							
Measurement method		Piezoresistive pressure sensor			Piezoresistive pressure sensor with display		
Pressure measuring range	[MPa]	–0.1 ... 0		–0.1 ... 0.1	–0.1 ... 0	–0.1 ... 0.1	
	[bar]	–1 ... 0		–1 ... 1	–1 ... 0	–1 ... 1	
	[psi]	–14.5 ... 0		–14.5 ... 14.5	–14.5 ... 0	–14.5 ... 14.5	
Setting options		–			Teach-in IO-Link® Via display and keys		
Display type		–			LED display, 2-digit		
Electrical system							
Operating voltage range, sensor	[V DC]	10 ... 30	18 ... 30	10 ... 30	18 ... 30	18 ... 30	
Switching output		–			PNP/NPN switchable		
Switching element function		–			N/C or N/O, switchable		
Switching function		–			Freely programmable		
Analogue output	[V]	1 ... 5	0 ... 10	1 ... 5	0 ... 10	–	
Materials							
Housing		Reinforced PA					
Silencer		PU					
Jet nozzle		Wrought aluminium alloy					
Female nozzle		POM					
Filter		POM					
Adjusting screw		Steel					
Connecting thread		POM					
Screws		Steel					
Cable sheath		PVC (colour: grey)					
Seals		NBR					
Note on materials		RoHS-compliant					

Datasheet

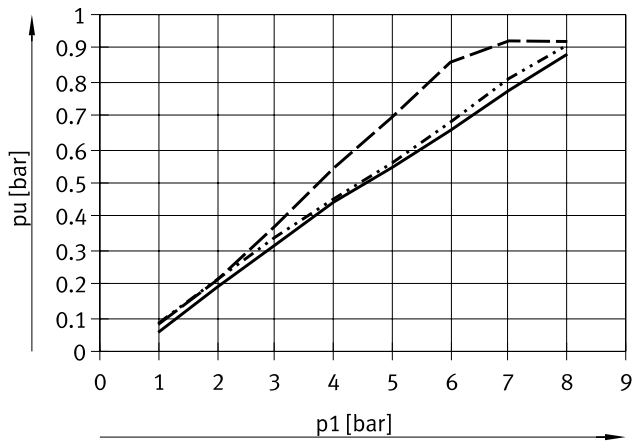
Vacuum p_u as a function of operating pressure p_1

High vacuum



- OVEL-5-H
- OVEL-7-H
- - - OVEL-10-H

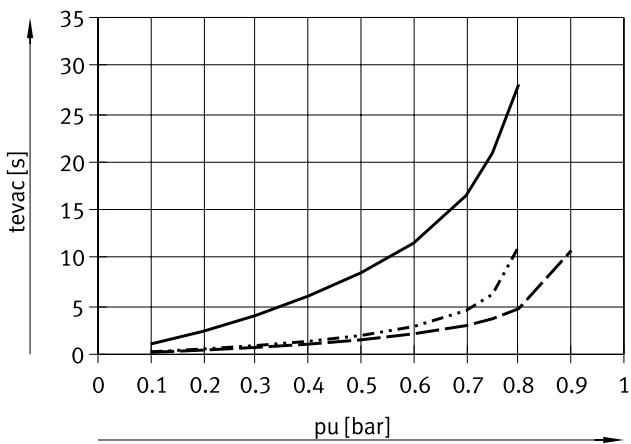
High suction rate



- OVEL-5-L
- OVEL-7-L
- - - OVEL-10-L

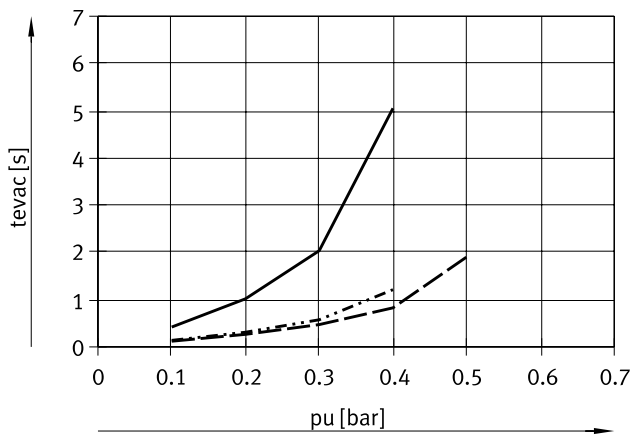
Evacuation time t_{evac} as a function of vacuum p_u for 1 l volume at 4 bar operating pressure

High vacuum



- OVEL-5-H
- OVEL-7-H
- - - OVEL-10-H

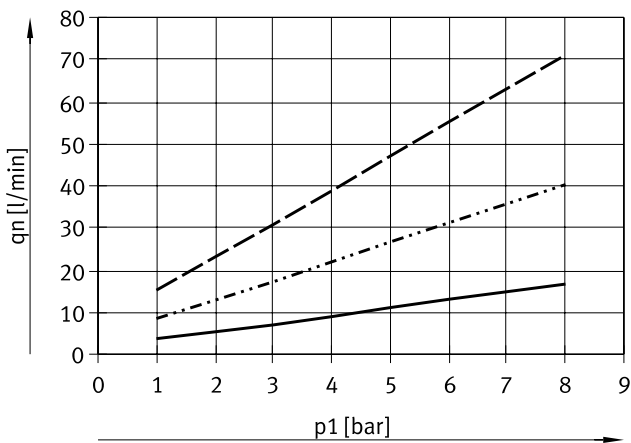
High suction rate



- OVEL-5-L
- OVEL-7-L
- - - OVEL-10-L

Air consumption q_n as a function of operating pressure p_1

High vacuum/high suction rate



- OVEL-5
- OVEL-7
- - - OVEL-10

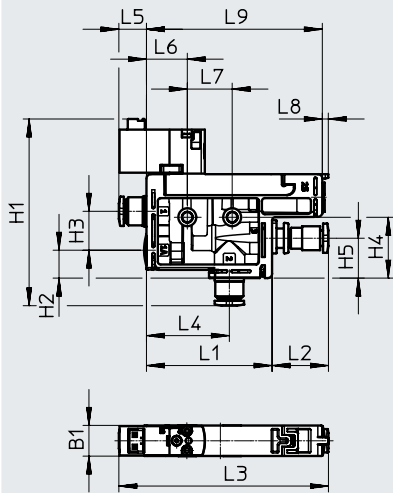
Datasheet

Dimensions

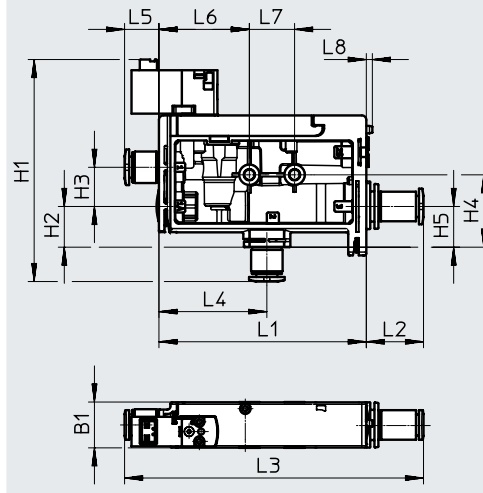
Download CAD data → www.festo.com

- [] Without ejector pulse and vacuum sensor
- [RQ] Push-in connector on pneumatic port 3

OVEL-5

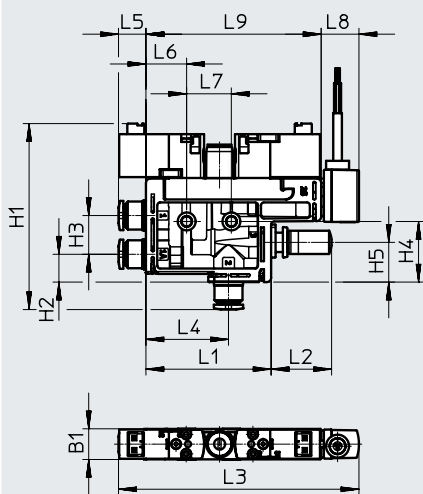


OVEL-7/10

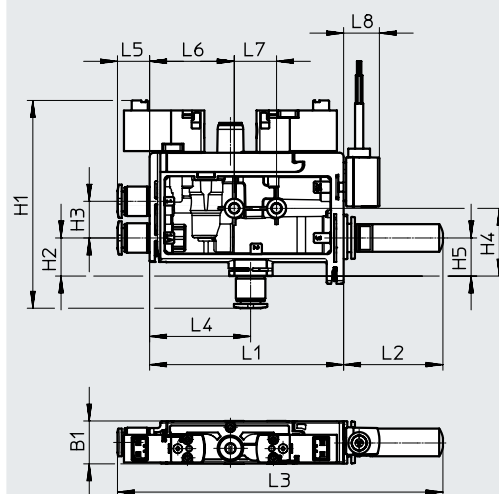


- [A] With ejector pulse
- [UA] Open silencer on pneumatic port 3
- [V1B]/[V1V]/[B2B]/[B2V]/[V1PNLK]/[B2PNLK] Vacuum sensor

OVEL-5



OVEL-7/10



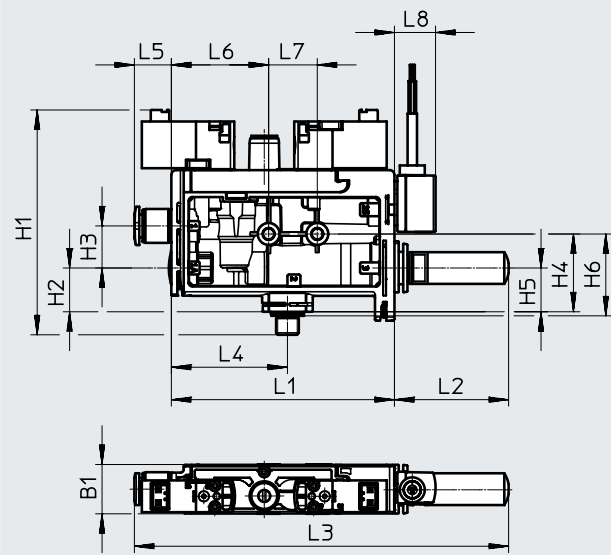
Type	B1 ±0.3	H1 ±0.8	H2 ±0.5	H3 ±0.5	H4 ±0.2	H5 ±0.5	L1 ±0.8	L2 ±0.8		L3 ±2		L4 ±0.5	L5 ±0.5	L6 ±0.2	L7 ±0.2	L8 ±0.8	L9 ±0.8
								[RQ]	[UA]	[RQ]	[UA]						
OVEL-5										70	71						2
OVEL-5-...-V1B/V1V/B2B/B2V	10.3	62	9.4	13	20.4	13	42	19	20.2	81	81	27.7	9.4	13.7	15	13	59
OVEL-5-...-V1PNLK/B2PNLK										99	99					31	
OVEL-7-H										97	114					2	
OVEL-7-H-...-V1B/V1V/B2B/B2V	15.2	72	13.5	13	24	13.5	68.8	19	35.5	97	114	35.8	9.4	30	15	13	-
OVEL-7-H-...-V1PNLK/B2PNLK										109	114					31	
OVEL-7-L										99	116					2	
OVEL-7-L-...-V1B/V1V/B2B/B2V	15.2	74	13.5	13	24	13.5	68.8	19	35.5	99	116	35.8	11.4	30	15	13	-
OVEL-7-L-...-V1PNLK/B2PNLK										111	116					31	
OVEL-10										99	116					2	
OVEL-10-...-V1B/V1V/B2B/B2V	15.2	74	13.5	13	24	13.5	68.8	19	35.5	99	116	35.8	11.4	30	15	13	-
OVEL-10-...-V1PNLK/B2PNLK										111	116					31	

Datasheet

Dimensions

Download CAD data → www.festo.com

Vacuum generators for UR-Plus gripper

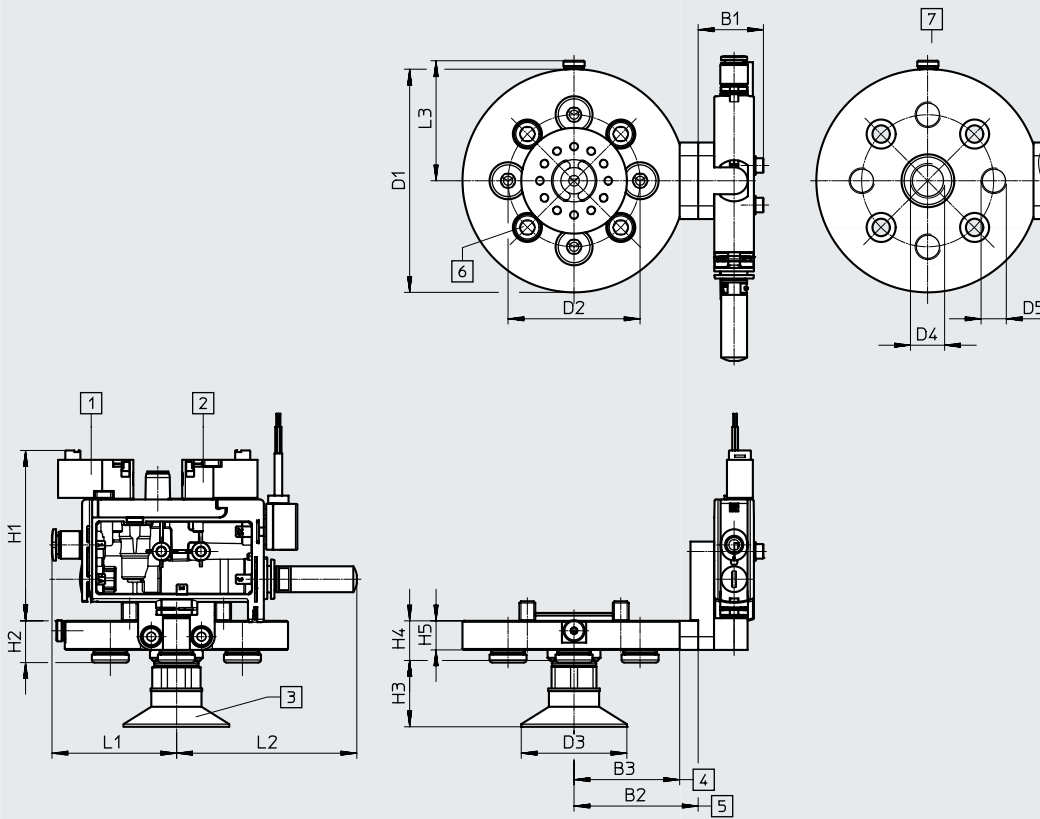


Type	B1	H1	H2	H3	H4	H5	H6	L1	L2	L3	L4	L5	L6	L7	L8
OVEL-10-...-VM7-UA-C-A-V1V-H3	±0.3	±0.8	±0.5	±0.5	±0.2	±0.5	±0.2	±0.8	±0.8	±2	±0.5	±0.5	±0.2	±0.2	±0.8

Dimensions

Download CAD data → www.festo.com

Suction gripper kit for robots



- [1] Vacuum valve
- [2] Ejector valve
- [3] Suction cup with connection VAS-40-1/4-NBR
- [4] Without distance piece
- [5] With distance piece
- [6] Socket head screw M6x10
- [7] Without suction cup C and blanking plug

Type	B1	B2	B3	D1 ∅	D2 ∅	D3 ∅	D4	D5	H1	H2	H3	H4	H5	L1	L2	L3
OVEL-10-...-VM7-UA-C-A-V1V-H3-RA1	24.7	47	40	84.5	50	40	G1/4	G1/8	64.5	15.8	25.1	15	11	47.2	68.2	45.5

Datasheet

Ordering data – high vacuum						
Vacuum sensor pressure measuring range [bar]	Vacuum sensor output signal	Exhaust port	Nominal width of Laval nozzle [mm]	Weight [g]	Part no.	Type
Vacuum generators, for P-links						
-1 ... 0	PNP or NPN or IO-Link®	UC	0.45	75	8141086	OVEL-5-H-10-P-VQ4-UC-C-A-V1PNLK-H3
			0.7	92	8141087	OVEL-7-H-15-P-VQ4-UC-C-A-V1PNLK-H3
			0.95	93	8141089	OVEL-10-H-15-P-VQ6-UC-C-A-V1PNLK-H3
-	-	UC	0.45	40	8141094	OVEL-5-H-10-P-VQ4-UC-C-A-H3
			0.7	57	8141095	OVEL-7-H-15-P-VQ4-UC-C-A-H3
			0.95	58	8141097	OVEL-10-H-15-P-VQ6-UC-C-A-H3
Vacuum generators, for metric QS connections						
-1 ... 0	1 ... 5 V	UA	0.45	71	8049046	OVEL-5-H-10-PQ-VQ4-UA-C-A-V1B-H3
			0.7	88	8049047	OVEL-7-H-15-PQ-VQ4-UA-C-A-V1B-H3
			0.95	89	8049048	OVEL-10-H-15-PQ-VQ6-UA-C-A-V1B-H3
	0 ... 10 V	UA	0.45	71	8049049	OVEL-5-H-10-PQ-VQ4-UA-C-A-V1V-H3
			0.7	88	8049050	OVEL-7-H-15-PQ-VQ4-UA-C-A-V1V-H3
			0.95	89	8049051	OVEL-10-H-15-PQ-VQ6-UA-C-A-V1V-H3
	PNP or NPN or IO-Link®	UA	0.45	74	8049052	OVEL-5-H-10-PQ-VQ4-UA-C-A-V1PNLK-H3
			0.7	91	8049053	OVEL-7-H-15-PQ-VQ4-UA-C-A-V1PNLK-H3
		UC	0.7	91	8141092	OVEL-7-H-15-PQ-VQ4-UC-C-A-V1PNLK-H3
			0.95	92	8049054	OVEL-10-H-15-PQ-VQ6-UA-C-A-V1PNLK-H3
		UA	0.95	92	8141093	OVEL-10-H-15-PQ-VQ6-UC-C-A-V1PNLK-H3
			0.95	92	8141093	OVEL-10-H-15-PQ-VQ6-UC-C-A-V1PNLK-H3
-1 ... 1	0 ... 10 V	UA	0.45	71	8069567	OVEL-5-H-10-PQ-VQ4-UA-C-A-B2V-H3
			0.7	88	8069568	OVEL-7-H-15-PQ-VQ4-UA-C-A-B2V-H3
			0.95	88	8069569	OVEL-10-H-15-PQ-VQ6-UA-C-A-B2V-H3
	PNP or NPN or IO-Link®	UA	0.45	74	8069570	OVEL-5-H-10-PQ-VQ4-UA-C-A-B2PNLK-H3
			0.7	91	8069571	OVEL-7-H-15-PQ-VQ4-UA-C-A-B2PNLK-H3
		UC	0.95	91	8069572	OVEL-10-H-15-PQ-VQ6-UA-C-A-B2PNLK-H3
-	-	UC	0.45	39	8141099	OVEL-5-H-10-PQ-VQ4-UC-C-A-H3
			0.7	56	8141100	OVEL-7-H-15-PQ-VQ4-UC-C-A-H3
			0.95	57	8142126	OVEL-10-H-15-PQ-VQ6-UC-C-A-H3
Vacuum generators for UR-Plus gripper						
-1 ... 0	0 ... 10 V	UA	0.95	88	8129122	OVEL-10-H-15-PQ-VM7-UA-C-A-V1V-H3
Suction gripper kit for robots						
-1 ... 0	0 ... 10 V	UA	0.95	300	8121043	OVEL-10-H-15-PQ-VM7-UA-C-A-V1V-H3-RA1

Ordering data – Modular product system

Ordering table		Conditions	Code	Enter code
Type	OVEL			
Module no.	8049045			
Vacuum generator	Vacuum generator, electropneumatic		OVEL	OVEL
Nominal width of Laval nozzle [mm]	0.45		-5	
	0.7		-7	
	0.95		-10	
Ejector characteristic	High vacuum		-H	
	High suction rate		-L	
Housing size/width [mm]	10	[1]	-10	
	15	[2]	-15	
Pneumatic port 1	For pneumatic links via manifold rail		-P	
	Push-in connectors, metric		-PQ	
Vacuum port	Push-in connector 3 mm	[3]	-VQ3	
	Push-in connector 4 mm	[4]	-VQ4	
	Push-in connector 6 mm	[5]	-VQ6	
Pneumatic port 3	Push-in connectors, metric		-RQ	
	Silencer open		-UA	
	Silencer closed	[8]	-UC	
Ejector pulse connection	Via pneumatic port 1			
	Additional port (as pneumatic port 1)		-Z	
Vacuum valve	Normally closed		-C	-C
Additional function	Without ejector pulse			
	Electrical ejector pulse	[6]	-A	
Vacuum sensor pressure measuring range	Without vacuum sensor			
	-1 ... 0 bar		-V1	
	-1 ... 1 bar		-B2	
Vacuum sensor output signal	Without vacuum sensor			
	1 ... 5 V	[7]	B	
	0 ... 10 V	[7]	V	
	PNP or NPN or IO-Link®	[7]	PNLK	
Electrical connection	Plug pattern H, vertical plug		-H3	-H3

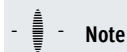
- [1] 10 Not with Laval nozzle nominal width 7, 10.
- [2] 15 Not with Laval nozzle nominal width 5.
- [3] VQ3 Only with Laval nozzle nominal width 5.
- [4] VQ4 Only with Laval nozzle nominal width 5 or Laval nozzle nominal width 7 in combination with ejector characteristic H.
- [5] VQ6 Only with Laval nozzle nominal width 10 or Laval nozzle nominal width 7 in combination with ejector characteristic L.
- [6] A Mandatory information in combination with ejector pulse port Z.
- [7] B, V, PNLK Mandatory information in combination with vacuum sensor pressure measuring range B2, V1.
- [8] UC Only with vacuum type H, high vacuum

Accessories

Common supply manifold OABM-P

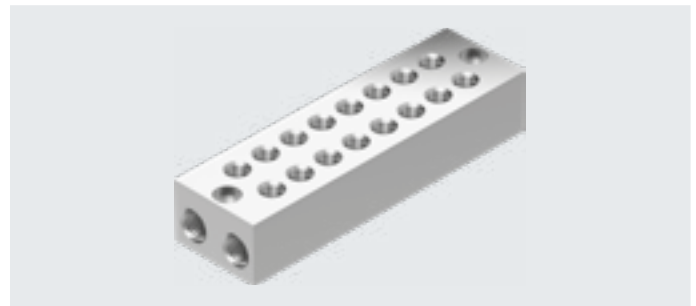
For vacuum generator
OVEL-...-P

- Up to 8 vacuum generators OVEL on a common supply manifold
- Common compressed air supply via common supply manifold



Note

On the common supply manifold vacuum generators with an additional port for the ejector pulse (OVEL-...-Z-C-A) cannot be combined with vacuum generators without an additional port (OVEL-...-C-A).



General technical data

Pneumatic port 1	G1/8
Type of mounting	With through-hole
Min. tightening torque [Nm]	0.3
Max. tightening torque [Nm]	3.3

Operating and environmental conditions

LABS (PWIS) conformity	VDMA24364-B1/B2-L
Corrosion resistance class CRC	2 - Moderate corrosion stress

1) Corrosion resistance class CRC 2 to Festo standard FN 940070

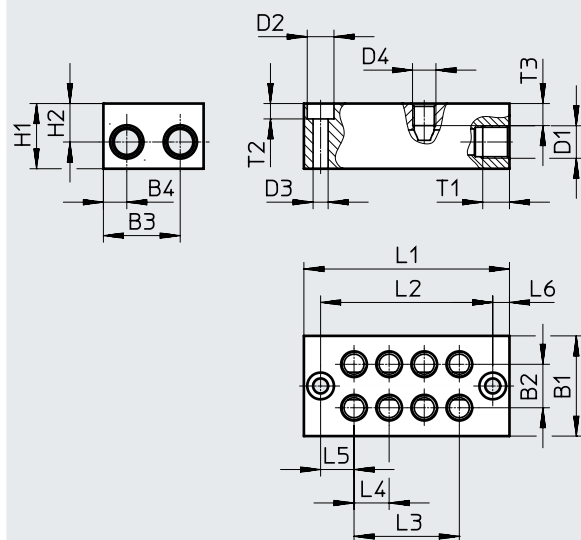
Moderate corrosion stress. Indoor applications in which condensation can occur. External visible parts with primarily decorative surface requirements that are in direct contact with a normal industrial environment.

Materials

Sub-base	Wrought aluminium alloy
Note on materials	RoHS-compliant

Dimensions

Download CAD data → www.festo.com

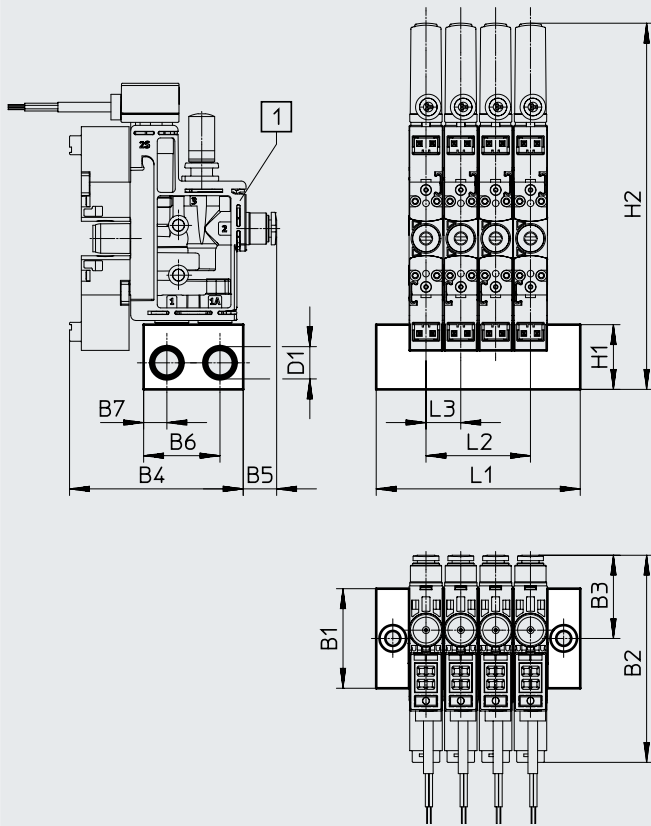


Type	B1	B2	B3	B4	D1	D2 ∅	D3 ∅	D4	H1	H2	L1	L2	L3	L4	L5	L6	T1	T2	T3
OABM-P-G3-10-2	30	13	23	7	G1/8	8	4.5	M7	19.5	11.5	40.5	30.5	10.5	10.5	10	5	8	4.6	6.6
OABM-P-G3-10-4											61.5	51.5	31.5						
OABM-P-G3-10-8											103.5	93.5	73.5						
OABM-P-G3-15-2	30	13	23	7	G1/8	8	4.5	M7	19.5	11.5	51.5	41.5	15.5	15.5	13	5	8	4.6	6.6
OABM-P-G3-15-4											82.5	72.5	46.5						
OABM-P-G3-15-8											144.5	134.5	108.5						

Accessories

Dimensions

Download CAD data → www.festo.com



 **Note**

Combined allocation with OVEL-5 and OVEL-7/-10 is possible only with common supply manifolds OABM-...-15.

Use mounting kit OABM-MK for mounting the OVEL on the common supply manifold.

Min. tightening torque: 0.3 Nm

Max. tightening torque: 3.3 Nm

[1] Vacuum generator OVEL-5/7/10

Type		B1	B2	B3	B4	B5	B6	B7	D1	H1	H2	L1	L2	L3
OABM-P-G3-10-2	with OVEL-5	30	62	25	52	10	23	7	G1/8	19.5	110	40.5	10.5	10.5
OABM-P-G3-10-4												61.5	31.5	
OABM-P-G3-10-8												103.5	73.5	
OABM-P-G3-15-2	with OVEL-7/10	30	74	31	57	16	23	7	G1/8	19.5	125	51.5	15.5	15.5
OABM-P-G3-15-4												82.5	46.5	
OABM-P-G3-15-8												144.5	108.5	

Ordering data

Common supply manifold	Number of device positions	CRC ¹⁾	Weight [g]	Part no.	Type
For OVEL-5	2	2	45.2	8049141	OABM-P-G3-10-2
	4	2	69.6	8049142	OABM-P-G3-10-4
	8	2	118.6	8049143	OABM-P-G3-10-8
For OVEL-5/7/10	2	2	59.6	8049144	OABM-P-G3-15-2
	4	2	97.1	8049145	OABM-P-G3-15-4
	8	2	172	8049146	OABM-P-G3-15-8

1) Corrosion resistance class CRC 2 to Festo standard FN 940070

Moderate corrosion stress. Indoor applications in which condensation can occur. External visible parts with primarily decorative surface requirements that are in direct contact with a normal industrial environment.

Accessories

Mounting kit OABM-MK

For common supply manifold OABM-P



General technical data

Type of mounting	Via retaining clips Can be screwed onto manifold rail
Min. tightening torque [Nm]	0.3
Max. tightening torque [Nm]	3.3

Operating and environmental conditions

LABS (PWIS) conformity	VDMA24364-B1/B2-L
Corrosion resistance class CRC ¹⁾	2 - Moderate corrosion stress

1) Corrosion resistance class CRC 2 to Festo standard FN 940070

Moderate corrosion stress. Indoor applications in which condensation can occur. External visible parts with primarily decorative surface requirements that are in direct contact with a normal industrial environment.

Materials

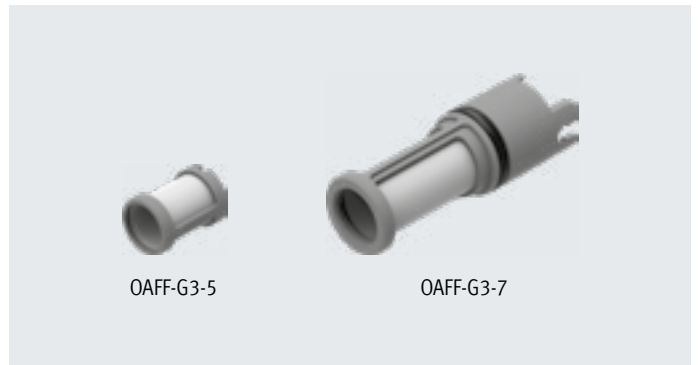
Hollow bolt	Wrought aluminium alloy
Seals	NBR
Note on materials	RoHS-compliant

Ordering data

	Weight [g]	Part no.	Type
For common supply manifold OABM-P	7	8065850	OABM-MK-G3

Accessories

Vacuum filter OAFF



General technical data

Type of mounting		Push-on
		Snap-in
Grade of filtration	[µm]	40
Ejector pulse suitability	[bar]	≤7

Operating and environmental conditions

Operating pressure	[kPa]	-95 ... 0
	[bar]	-0.95 ... 0
	[psi]	-13.775 ... 0
Operating medium		Atmospheric air based on ISO 8573-1:2010 [7:-:-]
LABS (PWIS) conformity		VDMA24364-B1/B2-L
Ejector pulse suitability	[MPa]	0.7
	[bar]	7
	[psi]	101.5

Materials

Type	OAFF-G3-5	OAFF-G3-7
Housing	POM	
Filter	Fabric, PA	
Seals	-	NBR
Note on materials	RoHS-compliant	

Ordering data

	Weight [g]	Part no.	Type	PU ¹⁾
For vacuum generator OVEL-5	1	8068944	OAFF-G3-5	10
For vacuum generator OVEL-7/10	1.5	8068945	OAFF-G3-7	10

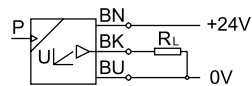
1) Packaging unit

Accessories

Pressure transmitter SPTE

(Order code in modular product system: OVEL-...-V1B/V1V/B2B/B2V, OVTL-...-V)

- Pressure measuring ranges
–1 ... 0 bar or –1 ... 1 bar
- Analogue outputs 1 ... 5 V or
0 ... 10 V



Detection of analogue signals and conversion into digital signals with downstream signal converter SCDN with LCD display (→ page 22).



General technical data

Certification	RCM
	c UL us - Recognized (OL)
CE marking (see declaration of conformity) ¹⁾	To EU EMC Directive
Note on materials	RoHS-compliant

1) For information about the area of use, see the EC declaration of conformity at: www.festo.com/sp → Certificates.

If the devices are subject to usage restrictions in residential, commercial or light-industrial environments, further measures for the reduction of the emitted interference may be necessary.

Input signal/measuring element

Type	SPTE-V1R	SPTE-B2R
Measured variable	Relative pressure	
Measurement method	Piezoresistive pressure sensor	
Pressure measuring range start value [bar]	0	–1
Pressure measuring range end value [bar]	–1	1
Max. overload pressure [bar]	5	5
Operating medium	Compressed air to ISO 8573-1:2010 [7:4:4]	
Note on the operating/pilot medium	Lubricated operation possible	
Temperature of medium [°C]	0 ... 50	
Ambient temperature [°C]	0 ... 50	

Output, general

Accuracy \pm FS ¹⁾ [%]	3 (at room temperature of approx. 23°C)
	4 (in ambient temperature range 0 ... 50°C)
Repetition accuracy \pm FS ¹⁾ [%]	0.3
Temperature coefficient \pm FS/K ¹⁾ [%]	0.05

1) % FS = % of the measuring range (full scale)

Analogue output

Type	SPTE-...-V-2.5K	SPTE-...-B-2.5K
Analogue output [V]	0 ... 10	1 ... 5
Rise time [ms]	1	
Min. load resistance of voltage output [kΩ]	15	

Accessories

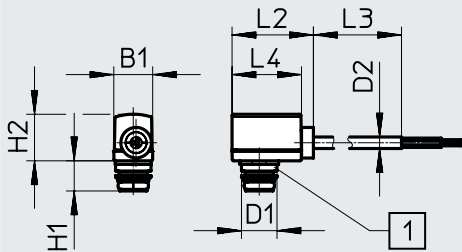
Output, additional data		
Short circuit current rating	For all electrical connections	
Electronics		
Type	SPTE-...-V-2.5K	SPTE-...-B-2.5K
Operating voltage range DC [V]	18 ... 30	10 ... 30
Reverse polarity protection	For all electrical connections	
Electromechanics		
Electrical connection	Cable, 3-core, open end	
Cable length [m]	2.5	
Mechanical systems		
Type of mounting	Pin-type connection	
Mounting position	Any	
Pneumatic port	Cartridge 10 mm	
Product weight [g]	35	
Information on materials: Housing	Reinforced PA	
Immission/Emission		
Degree of protection	IP40	
Corrosion resistance class CRC ¹⁾	2	

1) Corrosion resistance class CRC 2 to Festo standard FN 940070

Moderate corrosion stress. Indoor applications in which condensation can occur. External visible parts with primarily decorative surface requirements that are in direct contact with a normal industrial environment.

Dimensions

Download CAD data → www.festo.com



[1] Pressure supply port: pin-type cartridge 10 mm

Type	B1	D1 ∅	D2 ∅	H1	H2	L2	L3	L4
SPTE-...-PC10	9.8	8.9	2.9	7.6	11.7	20.5	2500	17.5

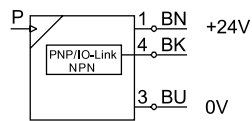
Pneumatic port	Electrical connection	Pressure measuring range [bar]	Analogue output [V]	Order code in the modular product system		Part no.	Type
				OVEL	OVTL		
Cartridge 10 mm	Cable, 3-core, open end	-1 ... 0	0 ... 10	V1V	V	8025974	SPTE-V1R-PC10-V-2.5K
			1 ... 5	V1B	–	8025975	SPTE-V1R-PC10-B-2.5K
		-1 ... 1	0 ... 10	B2V	–	8025976	SPTE-B2R-PC10-V-2.5K
			1 ... 5	B2B	–	8025977	SPTE-B2R-PC10-B-2.5K

Accessories

Pressure sensor SPAE

(Order code in the modular product system: OVEL-...-V1PNLK/B2PNLK, OVTL-...-PNLK)

- Pressure measuring ranges
–1 ... 0 bar or –1 ... 1 bar
- Switching output PNP/NPN, switchable
- IO-Link®
- LCD display
- Teach function



General technical data	
Certification	RCM c UL us - Recognized (OL)
CE marking (see declaration of conformity) ¹⁾	To EU EMC Directive
Note on materials	RoHS-compliant

1) For information about the area of use, see the EC declaration of conformity at: www.festo.com/sp → Certificates.

If the devices are subject to usage restrictions in residential, commercial or light-industrial environments, further measures for the reduction of the emitted interference may be necessary.

Input signal/measuring element		SPAE-V1R	SPAE-B2R
Type			
Measured variable		Relative pressure	
Measurement method		Piezoresistive pressure sensor	
Pressure measuring range start value [bar]		0	–1
Pressure measuring range end value [bar]		–1	1
Max. overload pressure [bar]		5	5
Operating medium		Compressed air to ISO 8573-1:2010 [7:4:4]	
Note on the operating/pilot medium		Lubricated operation possible	
Temperature of medium [°C]		0 ... 50	
Ambient temperature [°C]		0 ... 50	

Signal processing	
Resolution ADC	10 bits

Output, general	
Accuracy ±FS ¹⁾ [%]	1.5 (at room temperature of approx. 23°C) 2.5 (in ambient temperature range 0 ... 50°C)
Repetition accuracy ±FS ¹⁾ [%]	0.3
Temperature coefficient ±FS/K ¹⁾ [%]	0.05

1) % FS = % of the measuring range (full scale)

Switching output	
Switching output	PNP/NPN switchable
Switching function	Freely programmable
Switching element function	N/C or N/O, switchable
Max. output current [mA]	100

Accessories

Measured value display		
Display range start value	[% FS]	0
Display range end value	[% FS]	99

Output, additional data	
Short circuit current rating	For all electrical connections

Communication interface	
Protocol	IO-Link®
IO-Link®, protocol version	Device V 1.1
IO-Link®, profile	Smart sensor profile
IO-Link®, function classes	Binary data channel (BDC)
	Diagnostics
	Identification
	Process data variable (PDV)
	Teach channel
IO-Link®, communication mode	COM2 (38.4 kBd)
IO-Link®, SIO mode support	Yes
IO-Link®, port class	A
IO-Link®, process data width OUT	0 bytes
IO-Link®, process data width IN	2 bytes
IO-Link®, process data contents IN	2 bit BDC (pressure monitoring)
	14 bit PDV (pressure measured value)
IO-Link®, minimum cycle time	[ms] 3
IO-Link®, data memory required	0.5 KB

Electronics		
Operating voltage range DC	[V]	18 ... 30
Reverse polarity protection		For all electrical connections

Electromechanics		
Electrical connection		Cable, 3-core, open end
Cable length	[m]	2.5

Mechanical systems		
Type of mounting		Pin-type connection
Mounting position		Any
Pneumatic port		Cartridge 10 mm
Product weight	[g]	40
Information on materials: Housing		Reinforced PA

Display/operation		
Display type		LED display, 2-digit
Displayable units		% FS
Switching status indication		Yellow LED
Setting options		Via display and keys, teach-in, IO-Link®
Threshold value setting range	[%]	1 ... 98
Protection against tampering		PIN code

Accessories

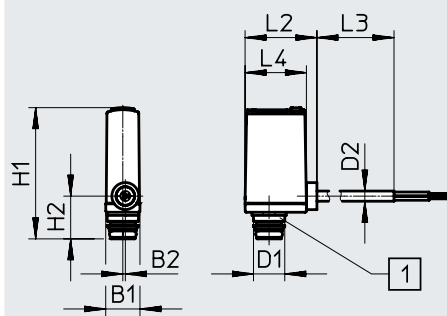
Immission/Emission	
Degree of protection	IP40
Corrosion resistance class CRC ¹⁾	2

1) Corrosion resistance class CRC 2 to Festo standard FN 940070

Moderate corrosion stress. Indoor applications in which condensation can occur. External visible parts with primarily decorative surface requirements that are in direct contact with a normal industrial environment.

Dimensions

Download CAD data → www.festo.com



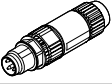
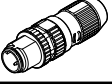
[1] Pressure supply port: pin-type cartridge 10 mm


Type	B1	B2	D1 ∅	D2 ∅	H1	H2	L2	L3	L4
SPAE-...-PC10	9.8	0.7	8.9	2.9	~37.5	12.2	20.5	2500	17.5

Ordering data

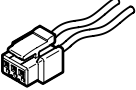
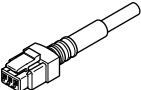
Pneumatic port	Electrical connection	Pressure measuring range [bar]	Order code in the modular product system		Part no.	Type
			OVEL	OVTL		
Cartridge 10 mm	Cable, 3-core, open end	-1 ... 0	V1PNLK	PNLK	8025978	SPAE-V1R-PC10-PNLK-2.5K
		-1 ... 1	B2PNLK	-	8025979	SPAE-B2R-PC10-PNLK-2.5K


Accessories

Ordering data – Plug NECU-S-M8G3/M12G3		Part no.		Type	Datasheets → Internet: necu
Electrical connection					
	Plug M8x1, 3-pin, straight, insulation displacement connector	562024		NECU-S-M8G3-HX	
	Plug M12x1, A-coded, 3-pin, straight, insulation displacement connector	562027		NECU-S-M12G3-HX	



Ordering data – Plug NECU-S-ECG4		Part no.		Type	Datasheets → Internet: necu
Electrical connection					
	Plug, square design, 4-pin, straight, insulation displacement connector	570922		NECU-S-ECG4-HX-Q3	

Ordering data – Signal converter SCDN		Part no.		Type	Datasheets → Internet: scdn
Measured variable					
	Voltage	8035555		SCDN-2V-EC4-PNLK-L1	

Ordering data – Plug socket with cable NEBV			Part no.		Type	Datasheets → Internet: nebv
Electrical connection		Cable length [m]				
	2-pin socket Plug pattern H	Flying leads Open end	0.5	566654	NEBV-H1G2-KN-0.5-N-LE2	
			1	566655	NEBV-H1G2-KN-1-N-LE2	
			2.5	566656	NEBV-H1G2-KN-2.5-N-LE2	
			5	566657	NEBV-H1G2-KN-5-N-LE2	
	2-pin socket Plug pattern H	Cable Open end	0.5	566658	NEBV-H1G2-P-0.5-N-LE2	
			1	566659	NEBV-H1G2-P-1-N-LE2	
			2.5	566660	NEBV-H1G2-P-2.5-N-LE2	
			5	566661	NEBV-H1G2-P-5-N-LE2	

Ordering data – Blanking plug B		Part no.		Type	PU ¹⁾
Pneumatic port					
	M7	174309		B-M7	10
	G1/8	3568		B-1/8	10

1) Packaging unit.

Ordering data – Push-in fitting QS			Part no.		Type	PU ¹⁾
Pneumatic port		Tubing O.D. 8 mm				
	G1/8	Tubing O.D. 8 mm	186098		QS-G1/8-8	10
	G1/8	Tubing O.D. 8 mm	186109		QS-G1/8-8-I	10

1) Packaging unit.