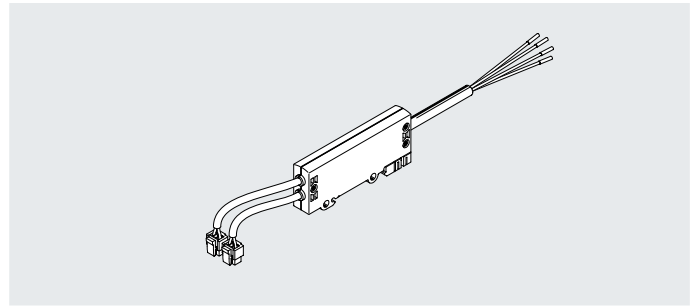


Data sheet

Connecting cable MHJ9-KMH

- With control electronics for valves MHJ9
- With plug sockets KMH
- Cable lengths 0.5 and 2.5 m



General technical data		MHJ9-KMH-...-MF	MHJ9-KMH-...-HF
Type			
Electrical connection		2x straight socket KMH, 2-pin Cable, 4-wire	
Operating voltage range	[V DC]	12 ... 53	
Trigger signal range	[V DC]	3 ... 30	
Input resistance	[kΩ]	34	
Note on input current		Linear rise 0.09 ... 0.44 mA at a trigger signal of 3 ... 15 V DC 0.44 ... 15.44 mA at a trigger signal of 15 ... 30 V DC	
Note on power consumption per channel	[W]	Low-current phase 2	Low-current phase 2.8
	[W]	High-current phase 7	High-current phase 17.1
Notes on operation		Power supply unit must be able to supply at least 1.7 A without voltage drop.	Power supply unit must be able to supply at least 1.85 A without voltage drop.
Additional functions		Spark arresting Holding current reduction with energy recovery Safety shut-off	
Reverse polarity protection		For operating voltage	
Duty cycle	[%]	100	
		Observe the notes on operating the solenoid valves.	
Cable characteristic		For static applications	
Type of mounting		With H-rail With through-hole	
Mounting position		Any	
Degree of protection to EN 60529		IP40	

Materials	
Housing	POM
Cable sheath	PVC
Note on materials	RoHS-compliant

Operating and environmental conditions	
Ambient temperature	[°C] -5 ... +50
Corrosion resistance class CRC ¹⁾	2
CE marking (see declaration of conformity) ³⁾	To EU EMC Directive ²⁾
KC mark	KC EMC
Certification	RCM compliance mark
PWIS conformity	VDMA24364-B2-L

1) Corrosion resistance class CRC 2 to Festo standard FN 940070

Moderate corrosion stress. Indoor applications in which condensation can occur. External visible parts with primarily decorative surface requirements which are in direct contact with a normal industrial environment.

2) For information about the area of use, see the EC declaration of conformity at: www.festo.com/catalogue/... → Support/Downloads.

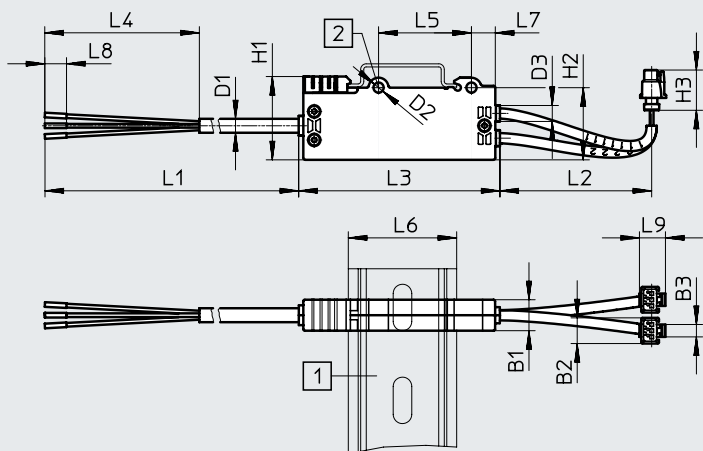
If the devices are subject to usage restrictions in residential, commercial or light-industrial environments, further measures for the reduction of the emitted interference may be necessary.

3) Additional information www.festo.com/catalogue/... → Support/Downloads.

Data sheet

Dimensions

Download CAD data → www.festo.com



Wire allocation:
 BU = GND
 BN = Operating voltage positive
 BK = Trigger 1
 WH = Trigger 2

[1] H-rail
 [2] Hole for wall mounting

Type	B1	B2	B3	D1	D2	D3	H1	H2	H3	L1	L2	L3	L4	L5	L6	L7	L8	L9
MHJ9-KMH-0.5	10	8	4	5	3.4	3.3	27	23	13	500	200	65	50	30	35	8	7	8
MHJ9-KMH-2.5										2500								

Ordering data

		Length	Weight	Part no.	Type
Connecting cable					
	With control electronics for 2 valves LF-, MF/LP, MF- and HF/LP	0.5 m	40 g	553121	MHJ9-KMH-0.5-MF
		2.5 m	98 g	565519	MHJ9-KMH-2.5-MF
	With control electronics for 2 valves HF	0.5 m	40 g	562170	MHJ9-KMH-0.5-HF
		2.5 m	98 g	567505	MHJ9-KMH-2.5-HF
H-rail					
	H-rail to EN 60715, galvanised steel	2 m	600 g	35430	NRH-35-2000