

Type codes

001	Series	006	Cable length [m]
NEBP	Connecting cable	2	2
002	Connection technology left, field device side	007	Connection technology right, controller side
M16	M16	M9	M9
003	Cable outlet left	008	Plug
W	Angled	W	Angled
004	Number of pins/wires on the left	009	Number of pins/wires on the right
6	6	5	5
005	Cable characteristic		
K	Standard		

Datasheet

Connecting cable NEBP-M16W6

- Connecting cable
- Pre-assembled at both ends
- For connecting measuring modules CPX-CMIX or proportional directional control valves VPWP to displacement encoders MME
- Cable lengths 2 m



General technical data

Cable designation	Via accessories
-------------------	-----------------

Technical data – Electrical connection 1

Function	Field device side
Connection type	Socket
Cable outlet	Angled
Design	Round
Connection technology	M16x0.75
Number of pins/wires	6
Assigned pins/wires	4
Type of mounting	Screw-type lock

Technical data – Electrical connection 2

Function	Controller side
Connection type	Plug
Cable outlet	Angled/straight
Design	Round
Connection technology	M9x0.5
Number of pins/wires	5
Assigned pins/wires	4
Type of mounting	Screw-type lock

Technical data – Electrics

Operating voltage range	[V DC]	0 ... 30
Surge resistance	[kV]	0.5
Current rating at 40°C	[A]	3
Note on current rating at 40°C		2.3 A for 0.34 mm ²
		3.6 A for 0.49 mm ²
Pollution degree		1
Additional functions		Product-specific pin allocation

Datasheet

Technical data – Cable			
Cable diameter	[mm]	5.5	
Cable composition	[mm ²]	2x0.25 + 2x0.34 + 0.49	
		Shielded	
Nominal conductor cross section	[mm ²]	0.25	0.34
Cable characteristic		Suitable for use with energy chains	
Bending radius, flexible cable installation	[mm]	≥75	
Test conditions, cable		Test conditions on request	

Materials	
Housing	TPE-U(PUR)
Housing colour	Black
Screw-type lock	Brass, nickel-plated
Pin contacts	Bronze, gold-plated
	Gold-plated brass
Cable sheath	TPE-U(PUR)
Cable sheath colour	Light grey
Insulating sheath	TPE-U(PUR)
Note on materials	RoHS-compliant
LABS (PWIS) conformity	VDMA24364-B2-L

Operating and environmental conditions	
Ambient temperature	[°C] –20 ... +70
Ambient temperature with flexible cable installation	[°C] –5 ... +70
Degree of protection	IP65
	IP67
Note on degree of protection	In mounted state
Corrosion resistance class CRC ¹⁾	1
CE marking (see declaration of conformity) ²⁾	To EU RoHS Directive
UKCA marking (see declaration of conformity) ²⁾	To UK RoHS regulations

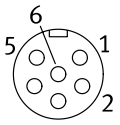
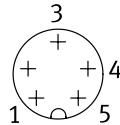
1) Corrosion resistance class CRC 1 to Festo standard FN 940070

Low corrosion stress. Dry internal application or transport and storage protection. Also applies to parts behind covers, in the non-visible interior area, or parts that are covered in the application (e.g. drive trunnions).

2) For information about the area of use, see the EC declaration of conformity at: www.festo.com/catalogue/... → Support/Downloads.

If the devices are subject to usage restrictions in residential, commercial or light-industrial environments, further measures for the reduction of the emitted interference may be necessary.

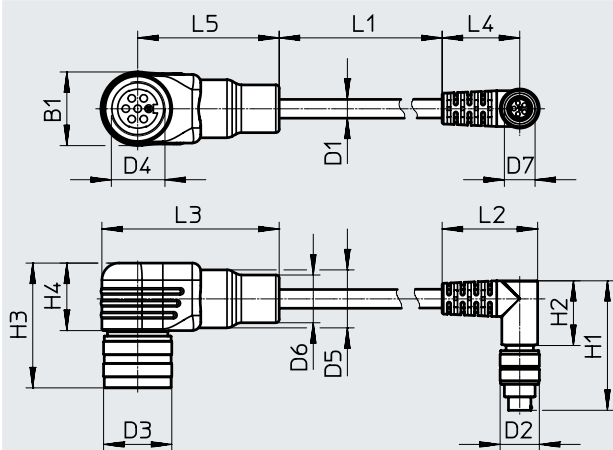
Datasheet

Circuitry (socket/plug view)				
Electrical connection 1	Pin	Wire colour ¹⁾	Pin	Electrical connection 2
	1	BN	5	
	2	WH	4	
	3	n.c.	–	
	4	n.c.	–	
	5	YE	1	
	6	GN	3	
	n.c.	GY	2	

1) According to IEC 757

Dimensions

Download CAD data → www.festo.com

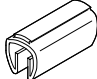


Type	B1	D1 ∅	D2 ∅	D3 ∅	D4	D5 ∅	D6 ∅	H1	H2	H3	H4	L1	L2	L3	L4	L5
NEBP-M16W6-K-2-M9W5	21.6	5.5	11.5	20	M16x0.75	17	14	38	19	36.6	19.8	2000	28	52	22.8	41.5

Ordering data

Electrical connection	Cable length [m]	Weight [g]	Part no.	Type
Angled socket M16x0.75 – angled plug M9x0.5	2	160	575898	NEBP-M16W6-K-2-M9W5

Ordering data – Accessories

			Part no.	Type
	Inscription labels for attaching to a cable with diameter 5 ... 8 mm	11x20 mm	33361	KM-BZ