

## Product range overview

Function	Design	Type	Connection technology (Electrical connection 2)	Cable characteristic	Length	→ Page/ Internet
Electrical connection 1: socket	<b>Standard mounting Sub-D</b>					
	9-pin	KMP6	Open cable end	Standard	2.5 m 5 m 10 m	5
	15-pin	KMP6	Open cable end	Standard	2.5 m 5 m 10 m	8
	25-pin	NEBV-S1 NEBV-CS1 KMP6	Open cable end	Standard	2.5 m 5 m 10 m	11
	26-pin	KMP6	Open cable end	Standard	2.5 m 5 m 10 m	17
	44-pin	NEBV-S1 NEBV-CS1 NEBV-CS7	Open cable end	Standard	2 m 5 m 10 m	20
	<b>Cover for valve terminal MPA</b>					
	25-pin	VMPA-KMS	Open cable end	–	2.5 m 5 m 10 m	25
	<b>Cover for valve terminal MPA-L</b>					
	25-pin	VMPAL-KM	Open cable end	Standard Suitable for energy chains	2.5 m 5 m 10 m 0.5 ... 30 m	28
	44-pin	VMPAL-KM	Open cable end	Standard	2.5 m 5 m 10 m 0.5 ... 30 m	30
	<b>Cover for valve terminal VTSA/VTSA-F</b>					
	37-pin	NEBV-S1W37	Open cable end	Standard Suitable for energy chains	2.5 m 5 m 10 m	32
	<b>Cover for valve terminal CPV</b>					
	9-pin	KMP3-9P KMP4-9P	Open cable end	Standard Suitable for energy chains	5 m 10 m 1 ... 99 m	36
	25-pin	KMP3-25P KMP4-25P	Open cable end	Standard Suitable for energy chains	5 m 10 m 1 ... 99 m	39
	<b>Cover for multi-pin plug distributor MPV</b>					
	15-pin	KMPV-SUB-D	Open cable end	–	5 m 10 m	43

## Type codes

<b>001</b>	<b>Series</b>
<b>NEBV</b>	Connecting cable for valves

<b>002</b>	<b>Product version</b>
	Standard
<b>C</b>	Easy-to-clean design

<b>003</b>	<b>Connection technology left, field device side</b>
<b>A1</b>	Socket type A, EN 175301-803
<b>B2</b>	Socket type B, industry standard, 11 mm
<b>C1S</b>	Socket type C, narrow design
<b>Z4</b>	Socket connection pattern ZC, metric screw
<b>Z3</b>	Socket connection pattern ZC, self-tapping screw
<b>M8</b>	Socket M8x1 A-coded, EN 61076-2-104
<b>M12</b>	Socket M12x1 A-coded, EN 61076-2-101
<b>S1</b>	Sub-D socket
<b>S7</b>	Sub-D HD socket
<b>H1</b>	Socket connection pattern H
<b>Q7</b>	Port pattern Q7 socket
<b>HS</b>	Socket connection pattern S

<b>004</b>	<b>Cable outlet left</b>
	None
<b>G</b>	Straight
<b>W</b>	Angled
<b>WA</b>	Angled 45°

<b>005</b>	<b>Number of pins/wires on the left</b>
<b>2</b>	2
<b>3</b>	3
<b>4</b>	4
<b>8</b>	8
<b>9</b>	9
<b>15</b>	15
<b>25</b>	25
<b>37</b>	37
<b>44</b>	44

<b>006</b>	<b>Display</b>
	None
<b>F</b>	LED signal status, AC
<b>L</b>	LED signal status, DC
<b>N</b>	LED switching state, NPN
<b>P</b>	LED switching state, PNP
<b>U</b>	LED, UC

<b>007</b>	<b>Additional socket functions</b>
	None
<b>HL</b>	Hood for MPA-L
<b>HM</b>	Hood for MPA-S
<b>HS</b>	With seal

<b>008</b>	<b>Circuitry</b>
	None
<b>P</b>	Protective circuit
<b>R</b>	Holding current reduction with integrated protective circuit

<b>009</b>	<b>Cable characteristic</b>
<b>P</b>	Basic
<b>K</b>	Standard
<b>E</b>	Suitable for energy chains
<b>F</b>	Food-safe to standard

<b>010</b>	<b>Cable design</b>
	Standard
<b>M</b>	Alternative material
<b>N</b>	Leads
<b>D</b>	Double cable

<b>011</b>	<b>Cable length [m]</b>
<b>0.1</b>	0.1
<b>0.2</b>	0.2
<b>0.3</b>	0.3
<b>0.5</b>	0.5
<b>0.6</b>	0.6
<b>1</b>	1
<b>2</b>	2
<b>2.5</b>	2.5
<b>3</b>	3
<b>5</b>	5
<b>10</b>	10

<b>012</b>	<b>Cable identification</b>
	With label holder
<b>N</b>	Without label holder

<b>013</b>	<b>Connection technology right, controller side</b>
<b>M8</b>	Plug M8x1 A-coded, EN 61076-2-104
<b>M12</b>	Plug M12x1 A-coded, EN 61076-2-101
<b>Z1</b>	Port pattern ZB plug, self-tapping screw
<b>LE</b>	Open end

<b>014</b>	<b>Plug</b>
	None
<b>G</b>	Straight
<b>W</b>	Angled

<b>015</b>	<b>Number of pins/wires on the right</b>
<b>2</b>	2
<b>3</b>	3
<b>4</b>	4
<b>5</b>	5
<b>10</b>	10
<b>15</b>	15
<b>25</b>	25
<b>26</b>	26
<b>27</b>	27
<b>36</b>	36
<b>37</b>	37
<b>39</b>	39
<b>44</b>	44

<b>016</b>	<b>Degree of protection, electrical system</b>
	Standard
<b>S6</b>	IP40
<b>S1</b>	IP65
<b>S9</b>	IP65/IP67
<b>S10</b>	IP65/IP67/IP69K

## Type codes

001	Series
<b>KMP3</b>	Connecting cable, Sub-D socket
<b>KMP4</b>	Connecting cable, Sub-D socket
<b>KMP6</b>	Connecting cable, Sub-D socket
<b>KMPV</b>	Connecting cable, Sub-D socket

002	Connection technology left, field device side
	Standard
<b>SUB</b>	Sub-D

003	Connection technology on the left, connection type
	Standard
<b>D</b>	Socket

004	Number of pins/wires on the left
<b>9P</b>	9-pin
<b>15P</b>	15-pin
<b>15</b>	15-pin
<b>25P</b>	25-pin
<b>26P</b>	26-pin

005	Number of pins/wires on the right
	Standard
<b>8</b>	9-pin
<b>08</b>	10-pin
<b>12</b>	15-pin
<b>16</b>	18-pin or 20-pin
<b>20</b>	25-pin

006	Cable length
<b>2,5</b>	2.5 m
<b>5,0</b>	5 m
<b>10,0</b>	10 m
	1 ... 99 m

007	Material of cable sheath
	Cable sheath made of PUR or PVC
<b>PUR</b>	Cable sheath made of PUR
<b>PVC</b>	PVC

## Type codes

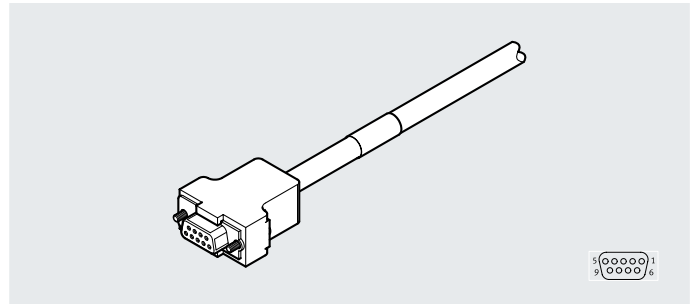
001	Series	
<b>VMPA</b>	Solenoid valve	
<b>VMPAL</b>	Solenoid valve	
002	Use	
<b>KM</b>	Cable for multi-pin plug connection	
<b>KMS</b>	Cable for multi-pin plug connection	
003	Variant	
	None	
<b>1</b>	Variant 1	
<b>2</b>	Variant 2	
004	Cable characteristic	
	Standard	
<b>SK</b>	Suitable for energy chains	
005	Cable outlet	
	Standard	
<b>V</b>	Front	
<b>S</b>	On the side	

006	Electrical connection 1, number of pins/wires	
	Standard	
<b>SD25</b>	25-pin	
<b>SD44</b>	44-pin	
007	Electrical connection 2 number of pins/wires	
	Standard	
<b>8</b>	10-pin	
<b>24</b>	25-pin	
008	Degree of protection, electrical system	
	Standard	
<b>IP67</b>	IP67	
009	Cable length	
<b>2,5</b>	2.5 m	
<b>2,5</b>		
<b>5,0</b>	5 m	
<b>10,0</b>	10 m	
	0.5 ... 30 m	
010	Material of cable sheath	
	Cable sheath made of PUR or PVC	
<b>PUR</b>	Cable sheath made of PUR	

## Datasheet

### Connecting cable KMP6

- Connecting cable for multi-pin plug connection
- Pre-assembled at one end
- Straight socket
- Cable lengths 2.5 m, 5 m or 10 m
- 9 wires
- Sub-D 9-pin



General technical data		
Conforms to standard	DIN 41652	
Cable designation	Without inscription label holder	
Contact durability	50	
Technical data – Electrical connection 1		
Function	Field device side	
Connection type	Socket	
Cable outlet	Straight	
Design	Rectangular	
Connection technology	Sub-D	
Number of pins/wires	9	
Assigned pins/wires	9	
Type of mounting	2x screw 4-40 UNC	
Technical data – Electrical connection 2		
Function	Controller side	
Connection type	Cable	
Connection technology	Open end	
Number of pins/wires	9	
Assigned pins/wires	9	
Wire ends	Cut off bluntly	
Technical data – Electrics		
Nominal operating voltage	[V DC]	24
Operating voltage range	[V DC]	0 ... 30
Acceptable current load at 40°C	[A]	2.8
Surge resistance	[kV]	1
Pollution degree		2

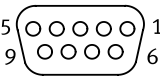
## Datasheet

Technical data – Cable		
Cable diameter	[mm]	7.6
Cable diameter tolerance	[mm]	±0.25
Cable characteristic		Standard
Cable test conditions		Test conditions on request
Bending radius, fixed cable installation	[mm]	≥76
Bending radius, flexible cable installation	[mm]	≥114
Cable composition	[mm <sup>2</sup> ]	8x0.34 + 1x0.5
Nominal conductor cross section	[mm <sup>2</sup> ]	0.34
	[mm <sup>2</sup> ]	0.5

Materials	
Housing	Reinforced PBT
Housing colour	Grey
Screw-type lock	Nickel-plated brass
Pin contacts	Gold-plated copper alloy
Cable sheath	PVC
Cable sheath colour	Grey
Note on materials	RoHS-compliant

Operating and environmental conditions		
Ambient temperature	[°C]	-25 ... +70
Ambient temperature with flexible cable installation	[°C]	-5 ... +70
Storage temperature	[°C]	-25 ... +75
CE marking (see declaration of conformity) <sup>1)</sup>		To EU RoHS Directive
UKCA marking (see declaration of conformity) <sup>1)</sup>		To UK RoHS regulations
PWIS conformity		VDMA24364-B2-L
Degree of protection		IP40
Note on degree of protection		In assembled state

1) Additional information: [www.festo.com/catalogue/...](http://www.festo.com/catalogue/...) → Support/Downloads.

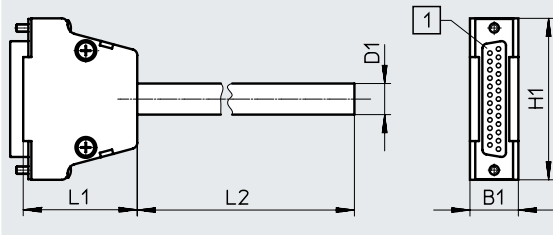
Circuitry (socket view)		Pin	Wire colour <sup>1)</sup>
	1	WH	-
	2	BN	
	3	GN	
	4	YE	
	5	GY	
	6	PK	
	7	BU	
	8	RD	
	9	BK	
			Conductor nominal cross section 0.5 mm <sup>2</sup>

1) To IEC 757

## Datasheet

### Dimensions

Download CAD data → [www.festo.com](http://www.festo.com)



[1] Sub-D socket, 9-pin

Type	B1	D1	H1	L1	L2
KMP6-09P-8-2.5	16	7.6	31.2	34.5	2500
KMP6-09P-8-5					5000
KMP6-09P-8-10					10000

### Ordering data

Electrical connection	Cable length [m]	Weight [g]	Part no.	Type
Sub-D socket, 9-pin	2.5	248	531184	KMP6-09P-8-2.5
	5	454	531185	KMP6-09P-8-5
	10	864	531186	KMP6-09P-8-10

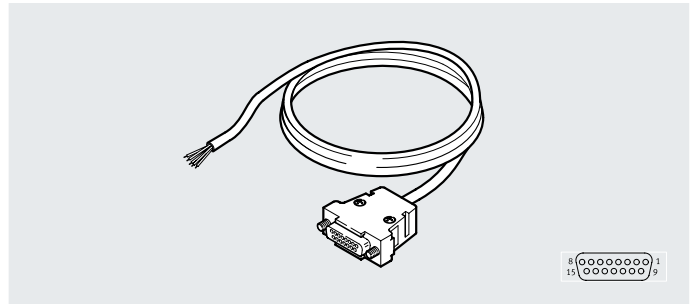
### Ordering data – Accessories

	Part no.	Type
 <p>Inscription labels for placing on a cable</p> <ul style="list-style-type: none"> <li>• Suitable for cable diameters 5 ... 8 mm</li> <li>• Labelling area 5x20 mm</li> </ul>	33361	KM-BZ

## Datasheet

### Connecting cable KMP6

- Connecting cable for multi-pin plug connection
- Pre-assembled at one end
- Straight socket
- Cable lengths 2.5 m, 5 m or 10 m
- 15 wires
- Sub-D 15-pin



General technical data		
Conforms to standard	DIN 41652	
Cable designation	Without inscription label holder	
Contact durability	50	
Technical data – Electrical connection 1		
Function	Field device side	
Connection type	Socket	
Cable outlet	Straight	
Design	Rectangular	
Connection technology	Sub-D	
Number of pins/wires	15	
Assigned pins/wires	15	
Type of mounting	2x screw 4-40 UNC	
Technical data – Electrical connection 2		
Function	Controller side	
Connection type	Cable	
Connection technology	Open end	
Number of pins/wires	15	
Assigned pins/wires	15	
Wire ends	Cut off bluntly	
Technical data – Electrics		
Nominal operating voltage	[V DC]	24
Operating voltage range	[V DC]	0 ... 30
Acceptable current load at 40°C	[A]	2.8
Surge resistance	[kV]	1
Pollution degree		2



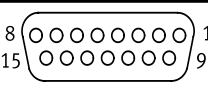
## Datasheet

Technical data – Cable		
Cable diameter	[mm]	8.6
Cable diameter tolerance	[mm]	±0.25
Cable characteristic		Standard
Cable test conditions		Test conditions on request
Bending radius, fixed cable installation	[mm]	≥86
Bending radius, flexible cable installation	[mm]	≥129
Cable composition	[mm <sup>2</sup> ]	15x0.34
Nominal conductor cross section	[mm <sup>2</sup> ]	0.34

Materials	
Housing	Reinforced PBT
Housing colour	Grey
Screw-type lock	Nickel-plated brass
Pin contacts	Gold-plated copper alloy
Cable sheath	PVC
Cable sheath colour	Grey
Note on materials	RoHS-compliant

Operating and environmental conditions		
Ambient temperature	[°C]	-25 ... +70
Ambient temperature with flexible cable installation	[°C]	-5 ... +70
Storage temperature	[°C]	-20 ... +75
CE marking (see declaration of conformity) <sup>1)</sup>		To EU RoHS Directive
UKCA marking (see declaration of conformity) <sup>1)</sup>		To UK RoHS regulations
PWIS conformity		VDMA24364-B2-L
Degree of protection		IP40
Note on degree of protection		In assembled state

1) Additional information: [www.festo.com/catalogue/...](http://www.festo.com/catalogue/...) → Support/Downloads.

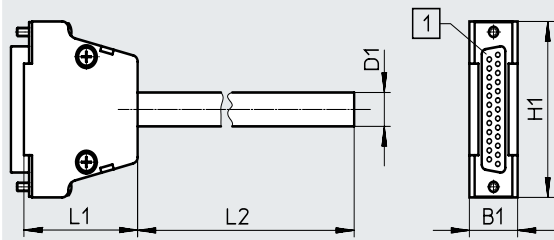
Circuitry (socket view)		Pin	Wire colour <sup>1)</sup>
	1	WH	
	2	BN	
	3	GN	
	4	YE	
	5	GY	
	6	PK	
	7	BU	
	8	RD	
	9	BK	
	10	VT	
	11	GY PK	
	12	RD BU	
	13	GN WH	
	14	BN GN	
	15	YE WH	

1) To IEC 757

## Datasheet

### Dimensions

Download CAD data → [www.festo.com](http://www.festo.com)



[1] Sub-D socket, 15-pin

Type	B1	D1	H1	L1	L2
KMP6-15P-12-2.5	16	8.5	40	34.5	2500
KMP6-15P-12-5					5000
KMP6-15P-12-10					10000

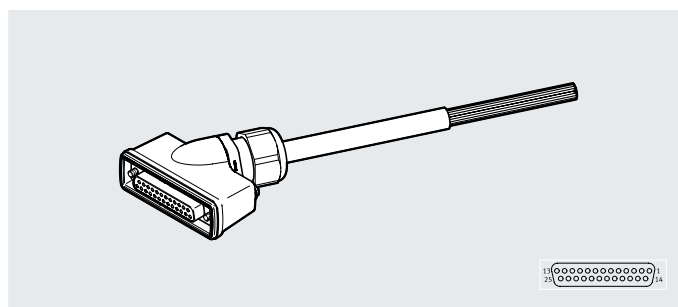
### Ordering data

Electrical connection	Cable length [m]	Weight [g]	Part no.	Type
Sub-D socket, 15-pin	2.5	293	527543	KMP6-15P-12-2.5
	5	585	527544	KMP6-15P-12-5
	10	1134	527545	KMP6-15P-12-10

## Datasheet

**Connecting cable**  
**NEBV-S1G25**  
**NEBV-S1WA25**  
**NEBV-C-S1WA25**  
**KMP6**

- Connecting cable for multi-pin plug connection
- Pre-assembled at one end
- Straight or angled socket
- Cable lengths 2.5 m, 5 m or 10 m
- 15, 20 or 25 wires
- Sub-D 25-pin



General technical data					
Type	KMP6	NEBV-S1G25	NEBV-S1G25 ... S6	NEBV-S1WA25	NEBV-C-S1WA25HS
Based on standard	–	–	DIN 47100	DIN 47100	DIN 47100
Conforms to standard	DIN 41652	–	–	–	–
Cable designation	Without inscription label holder	–	Without inscription label holder	Without inscription label holder	Without inscription label holder
Special characteristics	–	–	–	–	Easy to clean
Contact durability	50	–	50	50	50
Technical data – Electrical connection 1					
Function	Field device side	–	Field device side	Field device side	Field device side
Connection type	Socket	Socket	Socket	Socket	Socket
Cable outlet	Straight	–	Straight	Angled	Angled
Design	Rectangular	–	Rectangular	Rectangular	Rectangular
Connection technology	Sub-D	Sub-D	Sub-D	Sub-D	Sub-D
Number of pins/wires	25	25	25	25	25
Assigned pins/wires	15, 25	–	25	25	25
Type of mounting	2x screw 4-40 UNC	2x screw 4-40 UNC	2x screw 4-40 UNC	2x screw 4-40 UNC	2x screw 4-40 UNC
	–	–	–	–	With seal
Technical data – Electrical connection 2					
Function	Controller side	Controller side	Controller side	Controller side	Controller side
Connection type	Cable	Cable	Cable	Cable	Cable
Connection technology	Open end	Open end	Open end	Open end	Open end
Number of pins/wires	15, 25	15, 25	25	25	25
Assigned pins/wires	15, 25	–	25	25	–
Wire ends	Cut off bluntly	–	Cut off bluntly	Cut off bluntly	–
Technical data – Electrics					
Type	KMP6	NEBV-S1G25	NEBV-S1G25 ... S6	NEBV-S1WA25	NEBV-C-S1WA25HS
Nominal operating voltage [V DC]	24	24	–	–	–
Operating voltage range [V DC]	0 ... 30	–	0 ... 30	0 ... 30	0 ... 30
Acceptable current load at 40°C [A]	2.8	–	2.6	2.6	2.6
Surge resistance [kV]	1	–	2.4	2.4	–
Reverse polarity protection	–	–	Yes	Yes	–
Protective earth connection	–	–	–	–	Not provided
Pollution degree	2	–	2	3	3

## Datasheet

Technical data – Cable					
Type		KMP6-25P-12	NEBV-S1G25 ... LE15	KMP6-25P-20	NEBV-S1G25 ... LE25
Cable diameter	[mm]	8.6	9	10.3	10.5
Cable diameter tolerance	[mm]	±0.25	–	±0.25	–
Cable characteristic		Standard	Standard	Standard	Standard
Cable test conditions		Test conditions on request	–	Test conditions on request	–
Minimum cable bending radius	[mm]	–	90	–	105
Bending radius, fixed cable installation	[mm]	≥86	–	≥103	–
Bending radius, flexible cable installation	[mm]	≥129	–	≥103	–
Cable composition	[mm <sup>2</sup> ]	15x0.34	15x0.34	20x0.25 + 5x0.34	20x0.25 + 5x0.34
Nominal conductor cross section	[mm <sup>2</sup> ]	0.34	–	0.25	–
	[mm <sup>2</sup> ]	–	–	0.34	–

Technical data – Cable				
Type		NEBV-S1G25 ... S6	NEBV-S1WA25	NEBV-C-S1WA25HS
Cable diameter	[mm]	10.2	10.2	10.2
Cable connector		–	M20x1.5	–
Cable diameter tolerance	[mm]	±0.25	±0.25	±0.25
Cable characteristic		Standard	Standard	Standard
Cable test conditions		Test conditions on request	Test conditions on request	–
Minimum cable bending radius	[mm]	–	–	–
Bending radius, fixed cable installation	[mm]	≥42	≥42	≥41
Bending radius, flexible cable installation	[mm]	≥126	≥126	≥122
Cable composition	[mm <sup>2</sup> ]	25x0.34	25x0.34	25x0.34
Nominal conductor cross section	[mm <sup>2</sup> ]	0.34	0.34	0.34

Materials						
Type		KMP6	NEBV-S1G25	NEBV-S1G25 ... S6	NEBV-S1WA25	NEBV-C-S1WA25HS
Housing		Reinforced PBT	PBT	Reinforced PC	PA66-GF30	Reinforced PA
Housing colour		Grey	–	Black	Black	Grey
Union nut		–	PA	–	–	–
Screw-type lock		Nickel-plated brass	–	–	–	–
Screws		–	–	Nickel-plated brass	Steel	Stainless steel
Seals		–	TPE-O	–	NBR	EPDM
Pin contacts		Gold-plated copper alloy	–	Gold-plated bronze	Gold-plated bronze	Gold-plated bronze
Cable sheath		PVC	PVC	PVC	PVC	PVC
Cable sheath colour		Grey	–	Grey	Grey	Grey
Insulating sheath		–	–	PVC	PVC	PVC
Note on materials		RoHS-compliant	RoHS-compliant	RoHS-compliant	RoHS-compliant	RoHS-compliant

## Datasheet

Operating and environmental conditions		KMP6	NEBV-S1G25	NEBV-S1G25 ... S6	NEBV-S1WA25	NEBV-C-S1WA25HS
Type						
Ambient temperature	[°C]	-25 ... +70	-	-35 ... +80	-35 ... +80	-5 ... +60
Ambient temperature with flexible cable installation	[°C]	-5 ... +70	-5 ... +50	-5 ... +80	-5 ... +80	-5 ... +60
Storage temperature	[°C]	-25 ... +75	-	-25 ... +75	-35 ... +80	-20 ... +40
Corrosion resistance class CRC <sup>1)</sup>		-	2	0	2	3
CE marking (see declaration of conformity) <sup>2)</sup>		To EU RoHS Directive	-	-	-	-
UKCA marking (see declaration of conformity) <sup>2)</sup>		To UK RoHS regulations	-	-	-	-
PWIS conformity		VDMA24364-B2-L	-	-	-	-
Degree of protection		IP40	IP65	IP40	IP65	IP65
		-	IP67	-	IP67	IP67
		-	-	-	-	IP69K
Note on degree of protection		In assembled state	In assembled state	In assembled state	In assembled state	In assembled state

1) Corrosion resistance class CRC 0 to Festo standard FN 940070

No corrosion stress. Applies to small, visually unimportant standards-based parts such as threaded pins, circlips and clamping sleeves which are usually only available on the market in a phosphated or burnished version (and possibly oiled) as well as to ball bearings (for components < CRC 3) and plain bearings.

Corrosion resistance class CRC 2 to Festo standard FN 940070

Moderate corrosion stress. Indoor applications in which condensation can occur. External visible parts with primarily decorative surface requirements which are in direct contact with a normal industrial environment.

Corrosion resistance class CRC 3 to Festo standard FN 940070

High corrosion stress. Outdoor exposure under moderate corrosive conditions. Externally visible parts with primarily functional surface requirements which are in direct contact with a normal industrial environment.

2) Additional information: [www.festo.com/catalogue/...](http://www.festo.com/catalogue/...) → Support/Downloads.

## Circuitry (socket view)

	Open end, 15-wire		Open end, 25-wire	
	Pin	Wire colour <sup>1)</sup>	Pin	Wire colour <sup>1)</sup>
	1	WH	1	WH
	2	BN	2	BN
	3	GN	3	GN
	4	YE	4	YE
	5	GY	5	GY
	6	PK	6	PK
	7	BU	7	BU
	8	RD	8	RD
	9	BK	9	BK
	10	VT	10	VT
	11	GY PK	11	GY PK
	12	RD BU	12	RD BU
	13	-	13	GN WH
	14	-	14	BN GN
	15	-	15	YE WH
	16	-	16	BN YE
	17	-	17	GY WH
	18	-	18	BN GY
	19	-	19	WH PK
	20	-	20	BN PK
	21	-	21	BU WH <sup>2)</sup>
	22	-	22	BN BU <sup>2)</sup>
	23	GN WH	23	RD WH <sup>2)</sup>
	24	BN GN	24	BN RD <sup>2)</sup>
	25	YE WH	25	BK WH <sup>2)</sup>

1) To IEC 757

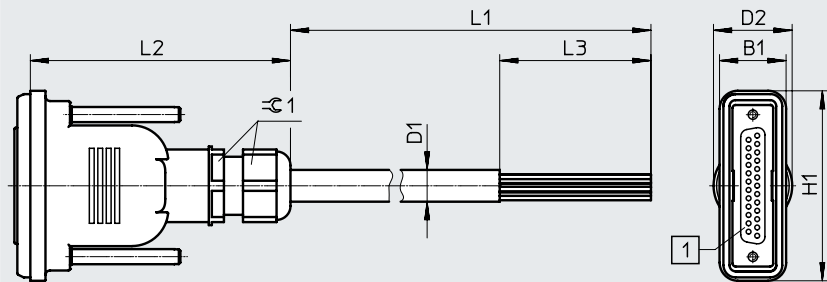
2) Conductor nominal cross section 0.34 mm<sup>2</sup>

Datasheet

Dimensions

Download CAD data → [www.festo.com](http://www.festo.com)

[1] Sub-D socket, straight, 25-pin

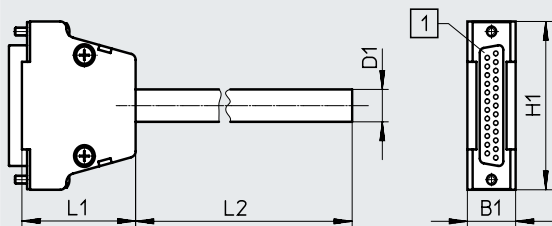


Type	B1	D1 ∅	D2 ∅	H1	L1	L2	L3	$\varnothing C1$
NEBV-S1G25-K-2.5-N-LE15	22	9	26	62.8	2500	86±0.5	60	24
NEBV-S1G25-K-5-N-LE15					5000			
NEBV-S1G25-K-10-N-LE15					10000			
NEBV-S1G25-K-2.5-N-LE25	22	10.5	26	62.8	2500	86±0.5	50	24
NEBV-S1G25-K-5-N-LE25					5000			
NEBV-S1G25-K-10-N-LE25					10000			

Dimensions

Download CAD data → [www.festo.com](http://www.festo.com)

[1] Sub-D socket, straight, 25-pin



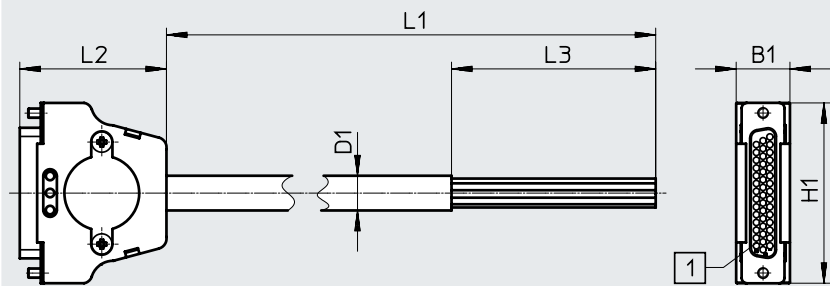
Type	B1	D1 ∅	H1	L1	L2
KMP6-25P-12-2.5	16	8.5	53.4	2500	37.7
KMP6-25P-12-5				5000	
KMP6-25P-12-10				10000	
KMP6-25P-20-2.5	16	10.3	53.4	2500	37.7
KMP6-25P-20-5				5000	
KMP6-25P-20-10				10000	

Datasheet

Dimensions

Download CAD data → [www.festo.com](http://www.festo.com)

[1] Sub-D socket, straight, 25-pin

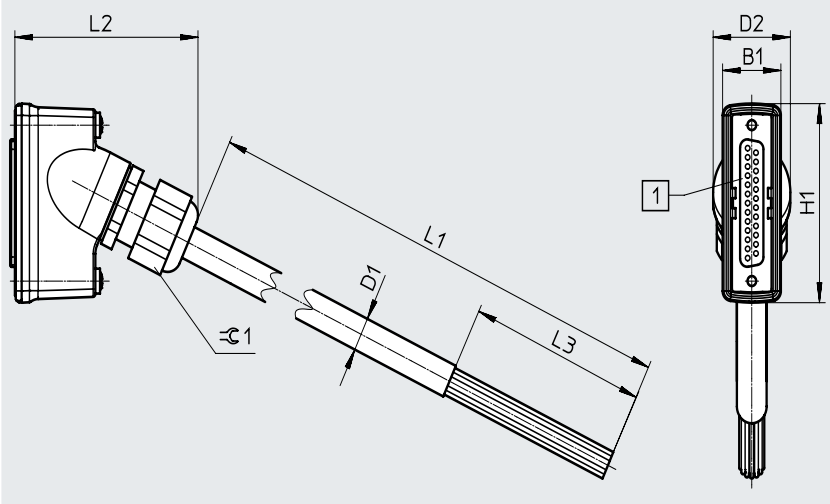


Type	B1	D1 ∅	H1	L1	L2	L3
NEBV-S1G25-K-2.5-N-LE25-S6	15.8	10.2	53	2500	43.1	60
NEBV-S1G25-K-5-N-LE25-S6				5000		
NEBV-S1G25-K-10-N-LE25-S6				10000		

Dimensions

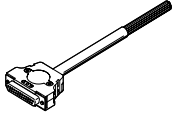
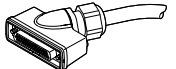
Download CAD data → [www.festo.com](http://www.festo.com)

[1] Sub-D socket, angled, 25-pin



Type	B1	D1 ∅	D2 ∅	H1	L1	L2	L3	∠C1
NEBV-S1WA25-K-2.5-N-LE25-S9	20	10.2	26.5	60	2500	60	60	24
NEBV-S1WA25-K-5-N-LE25-S9					5000			
NEBV-S1WA25-K-10-N-LE25-S9					10000			
NEBV-CS1WA25HS-K-2.5-N-LE25-S10	20	10.2	26.5	60	2500	60	60	24
NEBV-CS1WA25HS-K-5-N-LE25-S10					5000			
NEBV-CS1WA25HS-K-10-N-LE25-S10					10000			

## Datasheet

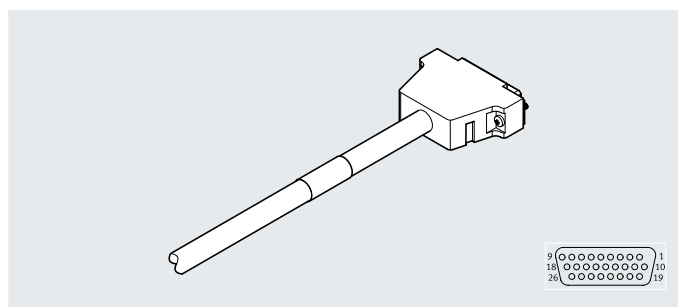
Ordering data							
		Cable composition [mm <sup>2</sup> ]	Degree of protection	Cable length [m]	Weight [g]	Part no.	Type
<b>Straight socket</b>							
	Open end, 15-wire	15x 0.34	IP40	2.5	329	<b>530049</b>	<b>KMP6-25P-12-2.5</b>
				5	590	<b>530050</b>	<b>KMP6-25P-12-5</b>
				10	1140	<b>530051</b>	<b>KMP6-25P-12-10</b>
			IP65, IP67	2.5	370	<b>538222</b>	<b>NEBV-S1G25-K-2.5-N-LE15</b>
				5	670	<b>538223</b>	<b>NEBV-S1G25-K-5-N-LE15</b>
				10	1270	<b>538224</b>	<b>NEBV-S1G25-K-10-N-LE15</b>
	Open end, 25-wire	25x 0.34	IP40	2.5	490	<b>575417</b>	<b>NEBV-S1G25-K-2.5-N-LE25-S6</b>
				5	930	<b>575418</b>	<b>NEBV-S1G25-K-5-N-LE25-S6</b>
				10	1820	<b>575419</b>	<b>NEBV-S1G25-K-10-N-LE25-S6</b>
		20 x 0.25 5x 0.34	IP40	2.5	432	<b>530046</b>	<b>KMP6-25P-20-2.5</b>
				5	814	<b>530047</b>	<b>KMP6-25P-20-5</b>
				10	1600	<b>530048</b>	<b>KMP6-25P-20-10</b>
		20x 0.25 5x 0.34	IP65, IP67	2.5	490	<b>538225</b>	<b>NEBV-S1G25-K-2.5-N-LE25</b>
				5	910	<b>538226</b>	<b>NEBV-S1G25-K-5-N-LE25</b>
				10	1750	<b>538227</b>	<b>NEBV-S1G25-K-10-N-LE25</b>
<b>Angled socket</b>							
	Open end, 25-wire	25x 0.34	IP65, IP67	2.5	510	<b>575423</b>	<b>NEBV-S1WA25-K-2.5-N-LE25-S9</b>
				5	950	<b>575424</b>	<b>NEBV-S1WA25-K-5-N-LE25-S9</b>
				10	1850	<b>575425</b>	<b>NEBV-S1WA25-K-10-N-LE25-S9</b>
			IP65, IP67, IP69K	2.5	460	<b>2265131</b>	<b>NEBV-C-S1WA25HS-K-2.5-N-LE25-S10</b>
				5	860	<b>2265132</b>	<b>NEBV-C-S1WA25HS-K-5-N-LE25-S10</b>
				10	1660	<b>2265133</b>	<b>NEBV-C-S1WA25HS-K-10-N-LE25-S10</b>



## Datasheet

### Connecting cable KMP6

- Connecting cable for multi-pin plug connection
- Pre-assembled at one end
- Straight socket
- Cable lengths 2.5 m, 5 m or 10 m
- 20 wires
- Sub-D 26-pin



#### General technical data

Conforms to standard	DIN 41652
Cable designation	Without inscription label holder
Contact durability	50

#### Technical data – Electrical connection 1

Function	Field device side
Connection type	Socket
Cable outlet	Straight
Design	Rectangular
Connection technology	Sub-D
Number of pins/wires	26
Assigned pins/wires	20
Type of mounting	2x screw 4-40 UNC

#### Technical data – Electrical connection 2

Function	Controller side
Connection type	Cable
Connection technology	Open end
Number of pins/wires	20
Assigned pins/wires	20
Wire ends	Cut off bluntly

#### Technical data – Electrics

Nominal operating voltage	[V DC]	24
Operating voltage range	[V DC]	0 ... 30
Acceptable current load at 40°C	[A]	2.8
Surge resistance	[kV]	1
Pollution degree		2

#### Technical data – Cable

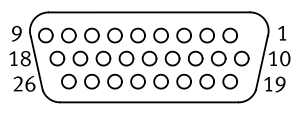
Cable diameter	[mm]	8.8
Cable diameter tolerance	[mm]	±0.25
Cable characteristic		Standard
Cable test conditions		Test conditions on request
Bending radius, fixed cable installation	[mm]	≥88
Bending radius, flexible cable installation	[mm]	≥132
Cable composition	[mm <sup>2</sup> ]	20x0.25
Nominal conductor cross section	[mm <sup>2</sup> ]	0.25

## Datasheet

Materials	
Housing	Reinforced PBT
Housing colour	Grey
Screw-type lock	Nickel-plated brass
Pin contacts	Gold-plated copper alloy
Cable sheath	PVC
Cable sheath colour	Grey
Note on materials	RoHS-compliant

Operating and environmental conditions		
Ambient temperature	[°C]	-25 ... +70
Ambient temperature with flexible cable installation	[°C]	-5 ... +70
Storage temperature	[°C]	-25 ... +75
CE marking (see declaration of conformity) <sup>1)</sup>		To EU RoHS Directive
UKCA marking (see declaration of conformity) <sup>1)</sup>		To UK RoHS regulations
PWIS conformity		VDMA24364-B2-L
Degree of protection		IP40
Note on degree of protection		In assembled state

1) Additional information: [www.festo.com/catalogue/...](http://www.festo.com/catalogue/...) → Support/Downloads.

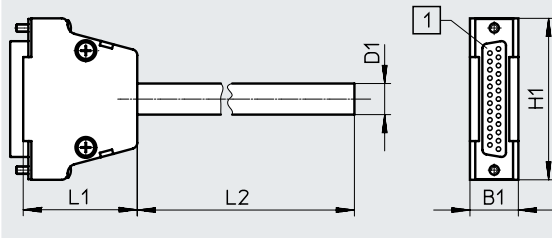
Circuitry (socket view)		Pin	Wire colour <sup>1)</sup>
	1	WH	
	2	BN	
	3	GN	
	4	YE	
	5	GY	
	6	PK	
	7	BU	
	8	RD	
	9	BK	
	10	VT	
	11	GY PK	
	12	RD BU	
	13	GN WH	
	14	BN GN	
	15	YE WH	
	16	BN YE	
	17	-	
	18	-	
	19	-	
	20	-	
	21	-	
	22	-	
	23	GY WH	
	24	BN GY	
	25	WH PK	
	26	BN PK	

1) To IEC 757

## Datasheet

### Dimensions

Download CAD data → [www.festo.com](http://www.festo.com)



[1] Sub-D socket, 26-pin

Type	B1	D1	H1	L1	L2
KMP6-26P-16-2.5	16	8.6	40	34.5	2500
KMP6-26P-16-5					5000
KMP6-26P-16-10					10000

### Ordering data

Electrical connection	Cable length [m]	Weight [g]	Part no.	Type
Sub-D socket, 26-pin	2.5	280	527546	KMP6-26P-16-2.5
	5	570	527547	KMP6-26P-16-5
	10	1145	527548	KMP6-26P-16-10

## Datasheet

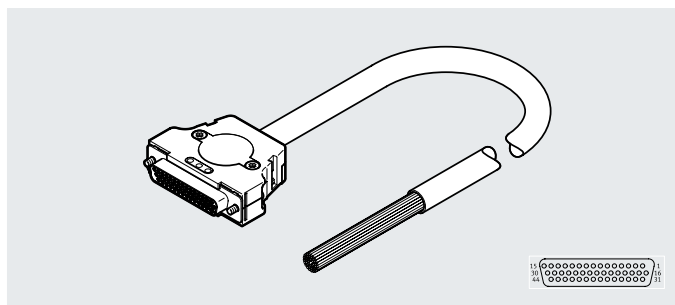
### Connecting cable

NEBV-S1G44

NEBV-S1WA44

NEBV-C-S7WA44HS

- Connecting cable for multi-pin plug connection
- Pre-assembled at one end
- Straight or angled socket
- Cable lengths 2.5 m, 5 m or 10 m
- 36, 39 or 44 wires
- Sub-D 44-pin



### General technical data

Type	NEBV-S1G44	NEBV-S1G44 ... S6	NEBV-S1WA44	NEBV-C-S7WA44HS
Based on standard	–	DIN 47100	DIN 47100	DIN 47100
Cable designation	–	Without inscription label holder	Without inscription label holder	Without inscription label holder
Special characteristics	–	–	–	Easy to clean
Contact durability	–	50	50	50

### Technical data – Electrical connection 1

Function	Field device side	Field device side	Field device side	Field device side
Connection type	Socket	Socket	Socket	Socket
Cable outlet	–	Straight	Angled	Angled
Design	–	Rectangular	Rectangular	Rectangular
Connection technology	Sub-D	Sub-D	Sub-D	Sub-D
Number of pins/wires	44	44	44	44
Assigned pins/wires	–	44	44	36
Type of mounting	2x screw 4-40 UNC	2x screw 4-40 UNC	2x screw 4-40 UNC	2x screw 4-40 UNC
	–	–	–	With seal

### Technical data – Electrical connection 2

Function	–	Controller side	Controller side	Controller side
Connection type	–	Cable	Cable	Cable
Connection technology	–	Open end	Open end	Open end
Number of pins/wires	–	44	44	36
Assigned pins/wires	–	44	44	–
Wire ends	–	Cut off bluntly	Cut off bluntly	–

### Technical data – Electrics

Type	NEBV-S1G44	NEBV-S1G44 ... S6	NEBV-S1WA44	NEBV-C-S7WA44HS
Operating voltage range [V DC]	≤30	0 ... 30	0 ... 30	0 ... 30
Acceptable current load at 40°C [A]	0.86	0.86	0.86	0.86
Surge resistance [kV]	–	2.4	2.4	–
Reverse polarity protection	–	Yes	Yes	–
Protective earth connection	–	–	–	Not provided
Pollution degree	–	2	3	3

## Datasheet

Technical data – Cable		NEBV-S1G44	NEBV-S1G44 ... S6	NEBV-S1WA44	NEBV-CS7WA44HS
Type					
Cable diameter	[mm]	9.6	10.2	10.2	9.6
Cable connector		–	–	M20x1.5	–
Cable diameter tolerance	[mm]	±0.5	±0.3	±0.3	±0.2
Cable characteristic		Standard	Standard	Standard	Standard
Cable test conditions		–	Test conditions on request	Test conditions on request	–
Minimum cable bending radius	[mm]	95	–	–	–
Bending radius, fixed cable installation	[mm]	–	≥42	≥42	≥39
Bending radius, flexible cable installation	[mm]	–	≥126	≥126	≥115
Cable composition	[mm <sup>2</sup> ]	40x0.14	44x0.14	44x0.14	36x0.25
Connection cross section	[mm <sup>2</sup> ]	–	–	–	0.25
Nominal conductor cross section	[mm <sup>2</sup> ]		0.14	0.14	

Materials		NEBV-S1G44	NEBV-S1G44 ... S6	NEBV-S1WA44	NEBV-CS7WA44HS
Type					
Housing		PBT	Reinforced PC	PA66-GF30	Reinforced PA
Housing colour		–	Black	Black	Grey
Screws		–	Nickel-plated brass	Steel	Stainless steel
Seals		–	–	NBR	EPDM
Pin contacts		Gold-plated bronze	Gold-plated bronze	Gold-plated bronze	Gold-plated bronze
Cable sheath		PVC	PVC	PVC	PVC
Cable sheath colour		–	Grey	Grey	Grey
Insulating sheath		–	PVC	PVC	PVC
Note on materials		RoHS-compliant	RoHS-compliant	RoHS-compliant	RoHS-compliant

Operating and environmental conditions		NEBV-S1G44	NEBV-S1G44 ... S6	NEBV-S1WA44	NEBV-CS7WA44HS
Type					
Ambient temperature	[°C]	–5 ... +60	–35 ... +80	–35 ... +80	–5 ... +60
Ambient temperature with flexible cable installation	[°C]	–	–5 ... +80	–5 ... +80	–5 ... +60
Storage temperature	[°C]	–	–25 ... +75	–35 ... +80	–20 ... +40
Corrosion resistance class CRC <sup>1)</sup>		2	0	2	3
Degree of protection		IP65	IP40	IP65	IP65
		IP67	–	IP67	IP67
		–	–	–	IP69K
Note on degree of protection		In assembled state	In assembled state	In assembled state	In assembled state

1) Corrosion resistance class CRC 0 to Festo standard FN 940070

No corrosion stress. Applies to small, visually unimportant standards-based parts such as threaded pins, circlips and clamping sleeves which are usually only available on the market in a phosphated or burnished version (and possibly oiled) as well as to ball bearings (for components < CRC 3) and plain bearings.

Corrosion resistance class CRC 2 to Festo standard FN 940070

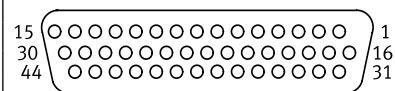
Moderate corrosion stress. Indoor applications in which condensation can occur. External visible parts with primarily decorative surface requirements which are in direct contact with a normal industrial environment.

Corrosion resistance class CRC 3 to Festo standard FN 940070

High corrosion stress. Outdoor exposure under moderate corrosive conditions. Externally visible parts with primarily functional surface requirements which are in direct contact with a normal industrial environment.

Datasheet

Circuitry (socket view)



Open end, 36-wire		Open end, 39-wire		Open end, 44-wire	
Pin	Wire colour <sup>1)</sup>	Pin	Wire colour <sup>1)</sup>	Pin	Wire colour <sup>1)</sup>
1	WH	1	WH	1	WH
2	BN	2	BN	2	BN
3	GN	3	GN	3	GN
4	YE	4	YE	4	YE
5	GY	5	GY	5	GY
6	PK	6	PK	6	PK
7	BU	7	BU	7	BU
8	RD	8	RD	8	RD
9	BK	9	BK	9	BK
10	VT	10	VT	10	VT
11	GY PK	11	GY PK	11	GY PK
12	RD BU	12	RD BU	12	RD BU
13	GN WH	13	GN WH	13	GN WH
14	BN GN	14	BN GN	14	BN GN
15	YE WH	15	YE WH	15	YE WH
16	BN YE	16	BN YE	16	BN YE
17	GY WH	17	GY WH	17	GY WH
18	BN GY	18	BN GY	18	BN GY
19	WH PK	19	WH PK	19	WH PK
20	BN PK	20	BN PK	20	BN PK
21	BU WH	21	BU WH	21	BU WH
22	BN BU	22	BN BU	22	BN BU
23	RD WH	23	RD WH	23	RD WH
24	BN RD	24	BN RD	24	BN RD
25	BK WH	25	BK WH	25	BK WH
26	BK BN	26	BK BN	26	BK BN
27	GN GY	27	GN GY	27	GN GY
28	YE GY	28	YE GY	28	YE GY
29	GN PK	29	GN PK	29	GN PK
30	YE PK	30	YE PK	30	YE PK
31	GN BU	31	GN BU	31	GN BU
32	YE BU	32	YE BU	32	YE BU
33	-	33	RD GN	33	RD GN
34	-	34	RD YE	34	RD YE
35	-	35	BK GN	35	BK GN
36	-	36	-	36	BK YE
37	-	37	-	37	BU GY
38	-	38	-	38	BU PK
39	-	39	-	39	RD GY
40	-	40	-	40	RD PK
41	RD GN	41	BK YE	41	BK GY
42	RD YE	42	BU GY	42	BK PK
43	BK GN	43	BU PK	43	BK BU
44	BK YE	44	RD GY	44	BK RD

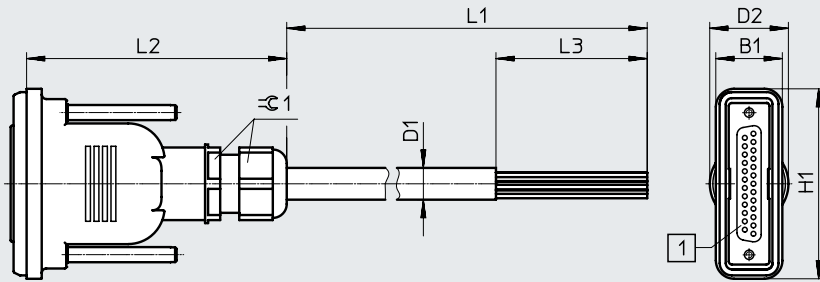
1) To IEC 757

## Datasheet

### Dimensions

Download CAD data → [www.festo.com](http://www.festo.com)

[1] Sub-D socket, straight, 44-pin

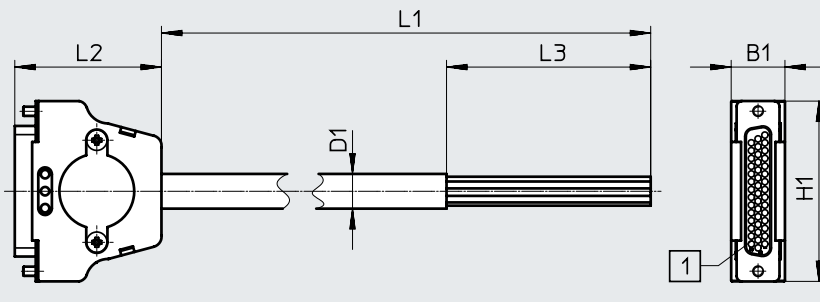


Type	B1	D1 ø	D2 ø	H1	L1	L2
NEBV1G44-K-2.5-N-LE39	22	9.6	26	62.8	85±5	2500
NEBV1G44-K-5-N-LE39						5000
NEBV1G44-K-10-N-LE39						10000

### Dimensions

Download CAD data → [www.festo.com](http://www.festo.com)

[1] Sub-D socket, straight, 44-pin



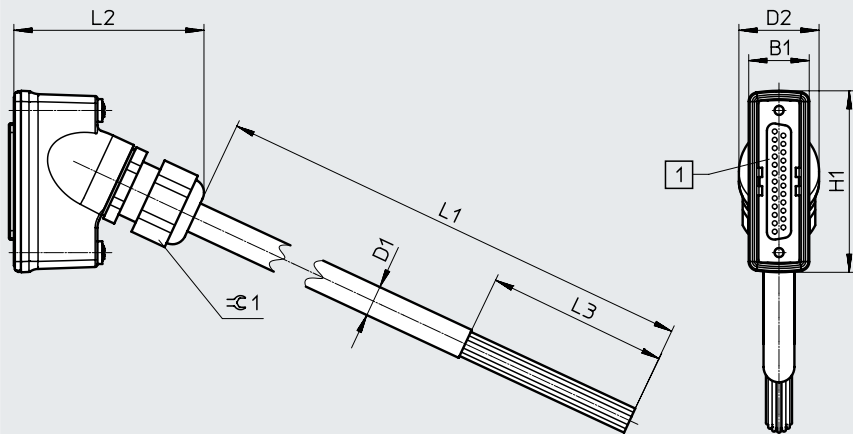
Type	B1	D1 ø	H1	L1	L2	L3
NEBV1G44-K-2.5-N-LE44-S6	15.8	10.2	53	2500	43.1	60
NEBV1G44-K-5-N-LE44-S6				5000		
NEBV1G44-K-10-N-LE44-S6				10000		

Datasheet

Dimensions

Download CAD data → [www.festo.com](http://www.festo.com)

[1] Sub-D socket, angled, 44-pin



Type	B1	D1 ø	D2 ø	H1	L1	L2	L3	±0.1
NEBV-C57WA44HS-K-2.5-N-LE36-S10	20	9.6	27	60	2500	60	60	-
NEBV-C57WA44HS-K-5-N-LE36-S10					5000			
NEBV-C57WA44HS-K-10-N-LE36-S10					10000			
NEBV-S1WA44-K-2.5-N-LE44-S9	20	10.2	26.5	60	2500	60	60	24
NEBV-S1WA44-K-5-N-LE44-S9					5000			
NEBV-S1WA44-K-10-N-LE44-S9					10000			

Ordering data

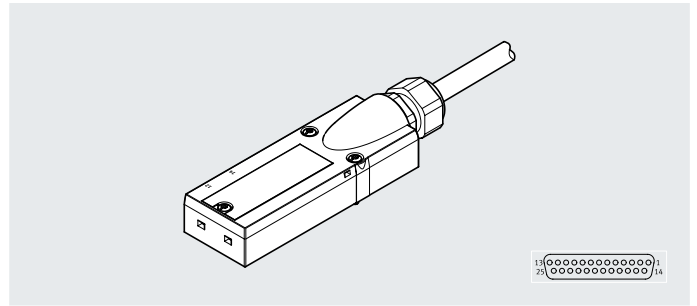
		Cable composition [mm <sup>2</sup> ]	Degree of protection	Cable length [m]	Weight [g]	Part no.	Type
<b>Straight socket</b>							
	Open end, 39-wire	40x 0.14	IP65, IP67	2.5	389	565289	NEBV-S1G44-K-2.5-N-LE39
				5	737	565290	NEBV-S1G44-K-5-N-LE39
				10	1432	565291	NEBV-S1G44-K-10-N-LE39
	Open end, 44-wire	44x 0.14	IP40	2.5	455	575113	NEBV-S1G44-K-2.5-N-LE44-S6
				5	830	575114	NEBV-S1G44-K-5-N-LE44-S6
				10	1620	575115	NEBV-S1G44-K-10-N-LE44-S6
<b>Angled socket</b>							
	Open end, 36-wire	36x 0.25	IP65, IP67, IP69K	2.5	500	577376	NEBV-C57WA44HS-K-2.5-N-LE36-S10
				5	900	577377	NEBV-C57WA44HS-K-5-N-LE36-S10
				10	1800	577378	NEBV-C57WA44HS-K-10-N-LE36-S10
	Open end, 44-wire	44x 0.14	IP65, IP67	2.5	460	575420	NEBV-S1WA44-K-2.5-N-LE44-S9
				5	860	575421	NEBV-S1WA44-K-5-N-LE44-S9
				10	1660	575422	NEBV-S1WA44-K-10-N-LE44-S9



## Datasheet

### Connecting cable VMPA-KMS

- Connecting cable for multi-pin plug connection of valve terminal MPA-S
- Pre-assembled at one end
- Cable lengths 2.5 m, 5 m or 10 m
- 10 or 25 wires
- Sub-D 25-pin



#### Technical data – Electrical connection 1

Electrical connection	Cable with plug
-----------------------	-----------------

#### Technical data – Cable

Type	VMPA-KMS1-8-...	VMPA-KMS1-25-...	VMPA-KMS2-8-...	VMPA-KMS2-25-...
Cable diameter [mm]	6.9	11.4	7.7	10.8
Minimum cable bending radius [mm]	82.8	171	54	38.5
Cable composition [mm <sup>2</sup> ]	10x 0.34	25x 0.34	10x 0.25	25x 0.25

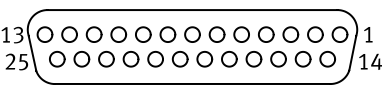
#### Materials

Type	VMPA-KMS1-...	VMPA-KMS2-...
Cable sheath	PVC	PUR

#### Operating and environmental conditions

Type	VMPA-KMS1-8-...	VMPA-KMS1-25-...	VMPA-KMS2-8-...	VMPA-KMS2-25-...
Ambient temperature with flexible cable installation [°C]	0 ... +80	0 ... +70	-40 ... +70	-40 ... +70
Degree of protection	IP65 To IEC 60529			

## Datasheet

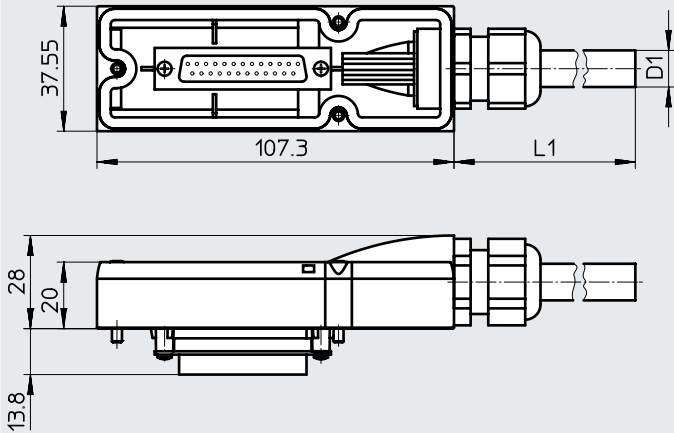
Circuitry (socket view)		Open end, 10-wire		Open end, 25-wire	
		Pin	Wire colour <sup>1)</sup>	Pin	Wire colour <sup>1)</sup>
	1	WH	1	WH	
	2	GN	2	GN	
	3	YE	3	YE	
	4	GY	4	GY	
	5	PK	5	PK	
	6	BU	6	BU	
	7	RD	7	RD	
	8	VT	8	VT	
	9	-	9	GY PK	
	10	-	10	RD BU	
	11	-	11	GN WH	
	12	-	12	BN GN	
	13	-	13	YE WH	
	14	-	14	BN YE	
	15	-	15	GY WH	
	16	-	16	BN GY	
	17	-	17	WH PK	
	18	-	18	BN PK	
	19	-	19	BU WH	
	20	-	20	BN BU	
	21	-	21	RD WH	
	22	-	22	BN RD	
	23	-	23	BK WH	
	24	-	24	BN	
	25	BK	25	BK	

1) To IEC 757

Datasheet

Dimensions

Download CAD data → [www.festo.com](http://www.festo.com)



- L1 Length according to type  
(2.5 m, 5 m or 10 m)
- D1 Diameter according to type  
(6.9 mm, 7.7 mm, 10.8 mm or 11.4 mm)

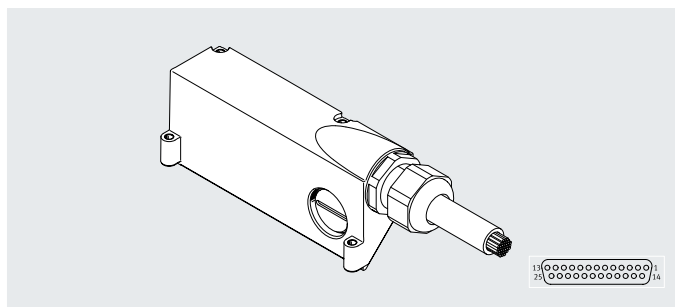
Ordering data

Electrical connection 1	Cable sheath material	Electrical connection 2 Number of pins/wires	Cable length [m]	Weight [g]	Part no.	Type
Angled socket, Sub-D	PUR	10	2.5	237	533504	VMPA-KMS2-8-2.5-PUR
			5	460	533505	VMPA-KMS2-8-5-PUR
			10	906	533506	VMPA-KMS2-8-10-PUR
		25	2.5	411	533501	VMPA-KMS2-24-2.5-PUR
			5	910	533502	VMPA-KMS2-24-5-PUR
			10	1908	533503	VMPA-KMS2-24-10-PUR
	PVC	10	2.5	287	533195	VMPA-KMS1-8-2.5
			5	510	533196	VMPA-KMS1-8-5
			10	956	533197	VMPA-KMS1-8-10
		25	2.5	563	533192	VMPA-KMS1-24-2.5
			5	1062	533193	VMPA-KMS1-24-5
			10	2055	533194	VMPA-KMS1-24-10

## Datasheet

### Connecting cable VMPAL-KM

- Connecting cable for multi-pin plug connection of valve terminal MPA-L
- Pre-assembled at one end
- Cable outlet angled to the side or front
- Cable lengths 2.5 m, 5 m, 10 m or any length from 0.5 ... 30 m
- 25 wires
- Sub-D 25-pin



#### Technical data – Electrical connection 1

Electrical connection	Cable with plug
-----------------------	-----------------

#### Technical data – Cable

Type	VMPAL-KM-...-SD25-...	VMPAL-KM-...-SD25-IP67-	VMPAL-KMSK-...-SD25-...	VMPAL-KMSK-V-SD25-IP67-
Cable diameter [mm]	10.2	11.2	12.5	12.5
Cable characteristic	Standard	Standard	Suitable for energy chains	Standard
Minimum cable bending radius [mm]	122	84	63	63
Cable composition [mm <sup>2</sup> ]	25x 0.34	25x 0.34	25x 0.34	25x 0.34

#### Materials

Type	VMPAL-KM-...	VMPAL-KMSK-...
Cable sheath	PVC	TPE-U(PUR)
Note on materials	RoHS-compliant	

#### Operating and environmental conditions

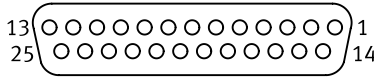
Ambient temperature with flexible cable installation [°C]	-5 ... +80
Corrosion resistance class CRC <sup>1)</sup>	2
CE marking (see declaration of conformity) <sup>2)</sup>	To EU RoHS Directive
UKCA marking (see declaration of conformity) <sup>2)</sup>	To UK RoHS instructions
PWIS conformity	VDMA24364-B1/B2-L
Degree of protection	IP67 To IEC 60529

1) Corrosion resistance class CRC 2 to Festo standard FN 940070

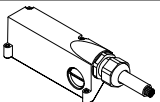
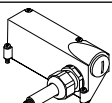
Moderate corrosion stress. Indoor applications in which condensation can occur. External visible parts with primarily decorative surface requirements which are in direct contact with a normal industrial environment.

2) Additional information: [www.festo.com/catalogue/NEBV](http://www.festo.com/catalogue/NEBV) → Support/Downloads.

Datasheet

Circuitry (socket view)		Pin	Wire colour <sup>1)</sup>	Pin	Wire colour <sup>1)</sup>
	1	WH	14	BN YE	
	2	GN	15	GY WH	
	3	YE	16	BN GY	
	4	GY	17	WH PK	
	5	PK	18	BN PK	
	6	BU	19	BU WH	
	7	RD	20	BN BU	
	8	VT	21	RD WH	
	9	GY PK	22	BN RD	
	10	RD BU	23	BK WH	
	11	GN WH	24	BN	
	12	BN GN	25	BK	
	13	YE WH			

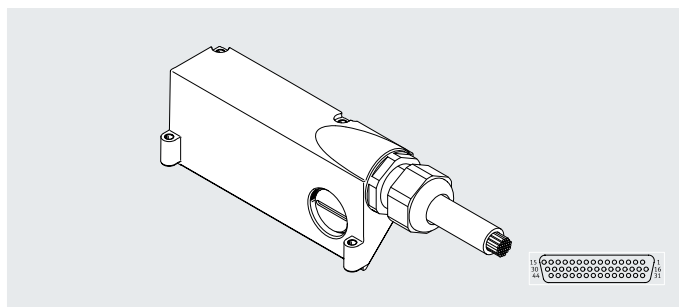
1) To IEC 757

Ordering data		Electrical connection 1	Cable sheath material	Cable length [m]	Weight [g]	Part no.	Type
	Angled socket, Sub-D	Cable outlet to the front	TPE-U(PUR)	2.5	605	<b>560410</b>	VMPAL-KMSK-V-SD25-IP67-2.5
				5	1120	<b>560411</b>	VMPAL-KMSK-V-SD25-IP67-5
				10	2150	<b>560412</b>	VMPAL-KMSK-V-SD25-IP67-10
				0.5 ... 30	-	<b>562391</b>	VMPAL-KMSK-V-SD25-IP67-
			PVC	2.5	640	<b>560416</b>	VMPAL-KM-V-SD25-IP67-2.5
				5	1190	<b>560417</b>	VMPAL-KM-V-SD25-IP67-5
				10	2290	<b>560418</b>	VMPAL-KM-V-SD25-IP67-10
				0.5 ... 30	-	<b>562389</b>	VMPAL-KM-V-SD25-IP67-
	Angled socket, Sub-D	Cable outlet to the side	TPE-U(PUR)	2.5	610	<b>560413</b>	VMPAL-KMSK-S-SD25-IP67-2.5
				5	1125	<b>560414</b>	VMPAL-KMSK-S-SD25-IP67-5
				10	2155	<b>560415</b>	VMPAL-KMSK-S-SD25-IP67-10
				0.5 ... 30	-	<b>562394</b>	VMPAL-KMSK-S-SD25-IP67-
			PVC	2.5	645	<b>560419</b>	VMPAL-KM-S-SD25-IP67-2.5
				5	1195	<b>560420</b>	VMPAL-KM-S-SD25-IP67-5
				10	2295	<b>560421</b>	VMPAL-KM-S-SD25-IP67-10
				0.5 ... 30	-	<b>562392</b>	VMPAL-KM-S-SD25-IP67-

## Datasheet

### Connecting cable VMPAL-KM

- Connecting cable for multi-pin plug connection of valve terminal MPA-L
- Pre-assembled at one end
- Cable outlet angled to the side or front
- Cable lengths 2.5 m, 5 m, 10 m or any length from 0.5 ... 30 m
- 36 wires
- Sub-D 44-pin



#### Technical data – Electrical connection 1

Electrical connection	Cable with plug
-----------------------	-----------------

#### Technical data – Cable

Cable diameter	[mm]	9.6
Cable characteristic		Standard
Minimum cable bending radius	[mm]	115
Cable composition	[mm <sup>2</sup> ]	36x 0.25

#### Materials

Cable sheath	PVC
Note on materials	RoHS-compliant

#### Operating and environmental conditions

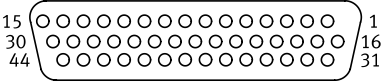
Ambient temperature with flexible cable installation	[°C]	-5 ... +80
Corrosion resistance class CRC <sup>1)</sup>		2
CE marking (see declaration of conformity) <sup>2)</sup>		To EU RoHS Directive
UKCA marking (see declaration of conformity) <sup>2)</sup>		To UK RoHS instructions
PWIS conformity		VDMA24364-B1/B2-L
Degree of protection		IP67
		To IEC 60529

1) Corrosion resistance class CRC 2 to Festo standard FN 940070

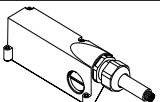
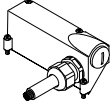
Moderate corrosion stress. Indoor applications in which condensation can occur. External visible parts with primarily decorative surface requirements which are in direct contact with a normal industrial environment.

2) Additional information: [www.festo.com/catalogue/NEBV](http://www.festo.com/catalogue/NEBV) → Support/Downloads.

## Datasheet

Circuitry (socket view)		Pin	Wire colour <sup>1)</sup>	Pin	Wire colour <sup>1)</sup>	Pin	Wire colour <sup>1)</sup>
		1	WH	18	BN PK	35	n.c.
		2	GN	19	BU WH	36	n.c.
		3	YE	20	BN BU	37	n.c.
		4	GY	21	RD WH	38	n.c.
		5	PK	22	BN RD	39	n.c.
		6	BU	23	BK WH	40	n.c.
		7	RD	24	BN	41	RD YE
		8	VT	25	BK BN	42	BK GN
		9	GY PK	26	GN GY	43	BK YE
		10	RD BU	27	YE GY	44	BK
		11	GN WH	28	GN PK		
		12	BN GN	29	YE PK		
		13	YE WH	30	GN BU		
		14	BN YE	31	YE BU		
		15	GY WH	32	RD GN		
		16	BN GY	33	n.c.		
		17	WH PK	34	n.c.		

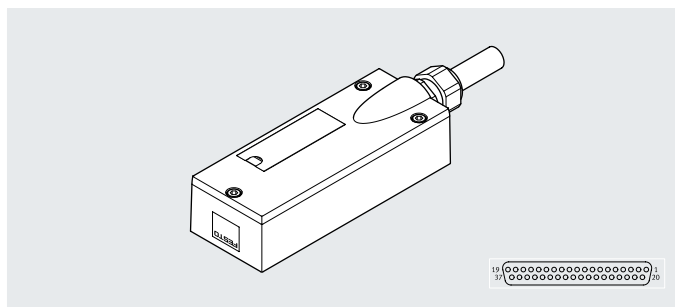
1) To IEC 757

Ordering data		Electrical connection 1	Cable length [m]	Weight [g]	Part no.	Type
	Angled socket, Sub-D	Cable outlet to the front	2.5	462	<b>560422</b>	<b>VMPAL-KM-V-SD44-IP67-2.5</b>
			5	832	<b>560423</b>	<b>VMPAL-KM-V-SD44-IP67-5</b>
			10	1572	<b>560424</b>	<b>VMPAL-KM-V-SD44-IP67-10</b>
			0.5 ... 30	–	<b>562390</b>	<b>VMPAL-KM-V-SD44-IP67-</b>
	Angled socket, Sub-D	Cable outlet to the side	2.5	467	<b>560425</b>	<b>VMPAL-KM-S-SD44-IP67-2.5</b>
			5	837	<b>560426</b>	<b>VMPAL-KM-S-SD44-IP67-5</b>
			10	1577	<b>560427</b>	<b>VMPAL-KM-S-SD44-IP67-10</b>
			0.5 ... 30	–	<b>562393</b>	<b>VMPAL-KM-S-SD44-IP67-</b>

## Datasheet

### Connecting cable NEBV-S1W37

- Connecting cable for multi-pin plug connection of valve terminal VTSA/VTSA-F
- Pre-assembled at one end
- Cable lengths 2.5 m, 5 m or 10 m
- 10, 26, 27 or 37 wires
- Sub-D 37-pin



General technical data				
Type	NEBV-...-LE10	NEBV-...-LE26	NEBV-...-LE27	NEBV-...-LE37
Conforms to standard	DIN 47100			
Cable designation	With inscription label holder			
Area of application	Only for multi-pin plug connection for valve terminal VTSA/VTSA-F			
Technical data – Electrical connection 1				
Function	Field device side			
Connection type	Socket			
Cable outlet	Angled			
Design	Rectangular			
Connection technology	Sub-D			
Number of pins/wires	37			
Assigned pins/wires	10	26	27	37
Type of mounting	3x screw M4			
Technical data – Electrical connection 2				
Function	Controller side			
Connection type	Cable			
Connection technology	Open end			
Number of pins/wires	10	26	27	37
Assigned pins/wires	10	26	27	37
Technical data – Electrics				
Type	NEBV-CS7WA44HS			
Operating voltage range	[V DC]	0 ... 30		
Acceptable current load at 40°C	[A]	2		
Surge resistance	[kV]	1		



## Datasheet

Technical data – Cable						
Type	NEBV-...-LE10	NEBV-...-KM-...-LE10	NEBV-...-LE26	NEBV-...-LE27	NEBV-...-LE37	NEBV-...-KM-...-LE37
Cable diameter [mm]	7.4	7.2	10.4	10.9	12.8	12.4
Cable characteristic	Suitable for energy chains	Standard	Suitable for energy chains	Standard	Standard	Standard
Cable test conditions	Test conditions on request					
Bending radius, fixed cable installation [mm]	≥30	≥29	≥42	≥44	≥51	≥50
Bending radius, flexible cable installation [mm]	≥74	≥54	≥104	≥82	≥128	≥93
Cable composition [mm <sup>2</sup> ]	10x 0.34	10x 0.34	26x 0.34	27x 0.34	37x 0.34	37x 0.34
Nominal conductor cross section [mm <sup>2</sup> ]	0.34					

Materials			
Type	NEBV-...-E-...	NEBV-...-K-...	NEBV-...-KM-...
Housing	PA	PA	PA
Cable sheath	PVC	PVC	TPE-U(PUR)
Cable sheath colour	Grey	Grey	Grey
Insulating sheath	PVC	PVC	PVC

Operating and environmental conditions	
Ambient temperature [°C]	-5 ... +50
Corrosion resistance class CRC <sup>1)</sup>	2
Degree of protection	IP65 NEMA 4
Note on degree of protection	In assembled state

1) Corrosion resistance class CRC 2 to Festo standard FN 940070

Moderate corrosion stress. Indoor applications in which condensation can occur. External visible parts with primarily decorative surface requirements which are in direct contact with a normal industrial environment.

Datasheet

Circuitry (socket view)		Open end, 10-wire		Open end, 26-wire		Open end, 27-wire		Open end, 37-wire	
		Pin	Wire colour <sup>1)</sup>	Pin	Wire colour <sup>1)</sup>	Pin	Wire colour <sup>1)</sup>	Pin	Wire colour <sup>1)</sup>
	1	WH	1	WH	1	WH	1	WH	
	2	BN	2	BN	2	BN	2	BN	
	3	GN	3	GN	3	GN	3	GN	
	4	YE	4	YE	4	YE	4	YE	
	5	GY	5	GY	5	GY	5	GY	
	6	PK	6	PK	6	PK	6	PK	
	7	BU	7	BU	7	BU	7	BU	
	8	RD	8	RD	8	RD	8	RD	
	9	-	9	GY PK	9	GY PK	9	GY PK	
	10	-	10	RD BU	10	RD BU	10	RD BU	
	11	-	11	WH GN	11	WH GN	11	WH GN	
	12	-	12	BN GN	12	BN GN	12	BN GN	
	13	-	13	WH YE	13	WH YE	13	WH YE	
	14	-	14	YE BN	14	YE BN	14	YE BN	
	15	-	15	WH GY	15	WH GY	15	WH GY	
	16	-	16	GY BN	16	GY BN	16	GY BN	
	17	-	17	WH PK	17	WH PK	17	WH PK	
	18	-	18	PK BN	18	PK BN	18	PK BN	
	19	-	19	WH BU	19	WH BU	19	WH BU	
	20	-	20	BN BU	20	BN BU	20	BN BU	
	21	-	21	WH RD	21	WH RD	21	WH RD	
	22	-	22	BN RD	22	BN RD	22	BN RD	
	23	-	23	-	23	GY GN	23	GY GN	
	24	-	24	-	24	-	24	YE GY	
	25	-	25	-	25	-	25	PK GN	
	26	-	26	-	26	-	26	YE PK	
	27	-	27	-	27	-	27	GN BU	
	28	-	28	-	28	-	28	YE BU	
	29	-	29	-	29	-	29	GN RD	
	30	-	30	-	30	-	30	YE RD	
	31	-	31	-	31	-	31	GN BK	
	32	-	32	-	32	-	32	GY BU	
	33	-	33	-	33	-	33	YE BK	
	34	-	34	WH BK	34	WH BK	34	WH BK	
	35	-	35	BN BK	35	BN BK	35	BN BK	
	36	BK	36	BK	36	BK	36	BK	
	37	VT	37	VT	37	VT	37	VT	

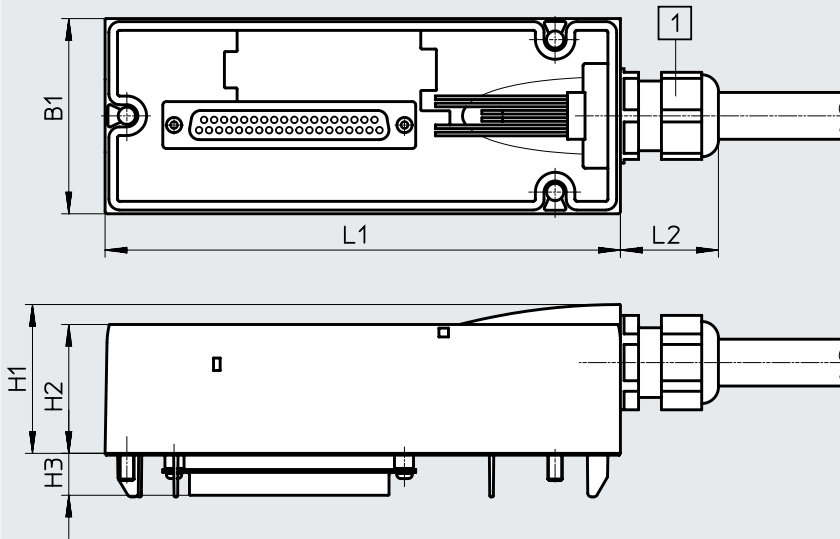
1) To IEC 757

Datasheet

Dimensions

Download CAD data → [www.festo.com](http://www.festo.com)

[1] Cable connector M20x1.5



Type	B1	H1	H2	H3	L1	L2
NEBV-S1W37	54	41	36	11.6	142	27

Ordering data

Electrical connection 1	Cable sheath material	Electrical connection 2 Number of pins/wires	Cable length [m]	Part no.	Type
Angled socket, Sub-D	TPE-U(PUR)	10	2.5	539240	NEBV-S1W37-E-2.5-LE10
			5	539241	NEBV-S1W37-E-5-LE10
			10	539242	NEBV-S1W37-E-10-LE10
		26	2.5	539243	NEBV-S1W37-E-2.5-LE26
			5	539244	NEBV-S1W37-E-5-LE26
			10	539245	NEBV-S1W37-E-10-LE26
		37	2.5	539246	NEBV-S1W37-K-2.5-LE37
			5	539247	NEBV-S1W37-K-5-LE37
			10	539248	NEBV-S1W37-K-10-LE37
	PVC	10	2.5	543271	NEBV-S1W37-KM-2.5-LE10
			5	543272	NEBV-S1W37-KM-5-LE10
			10	543273	NEBV-S1W37-KM-10-LE10
		27	2.5	543274	NEBV-S1W37-KM-2.5-LE27
			5	543275	NEBV-S1W37-KM-5-LE27
			10	543276	NEBV-S1W37-KM-10-LE27
37	2.5	543277	NEBV-S1W37-KM-2.5-LE37		
	5	543278	NEBV-S1W37-KM-5-LE37		
	10	543279	NEBV-S1W37-KM-10-LE37		

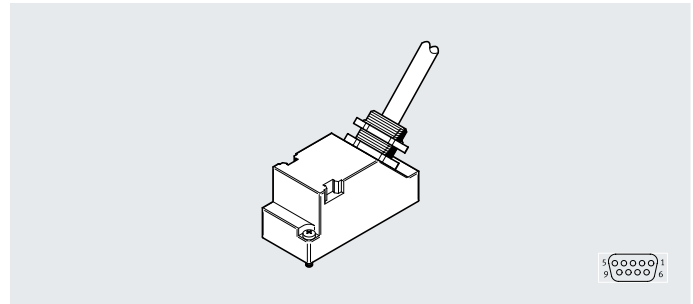
## Datasheet

### Connecting cable

**KMP3**

**KMP4**

- Connecting cable for multi-pin plug connection for valve terminal CPV
- Pre-assembled at one end
- Angled socket
- Cable lengths 5 m, 10 m or 1 ... 99 m
- 10 wires
- Sub-D 9-pin



#### General technical data

Based on standard	DIN 41652
Cable designation	With accessories
Contact durability	50

#### Technical data – Electrical connection 1

Function	Field device side
Connection type	Socket
Cable outlet	Angled
Design	Rectangular
Connection technology	Sub-D
Number of pins/wires	9
Assigned pins/wires	9
Type of mounting	2x screw M3

#### Technical data – Electrical connection 2

Function	Controller side
Connection type	Cable
Connection technology	Open end
Number of pins/wires	10
Assigned pins/wires	9
Wire ends	Cut off bluntly

#### Technical data – Electrics

Nominal operating voltage	[V DC]	24
Operating voltage range	[V DC]	0 ... 30
Acceptable current load at 40°C	[A]	3
Surge resistance	[kV]	1
Pollution degree		3

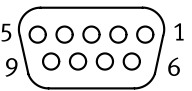
## Datasheet

Technical data – Cable		KMP3	KMP4-...-PVC	KMP4-...-PUR
Type				
Cable diameter	[mm]	7.15	7.4	7
Cable diameter tolerance	[mm]	±0.3	±0.4	±0.4
Cable characteristic		Standard	Suitable for energy chains	Suitable for energy chains
Cable test conditions		Test conditions on request	Test conditions on request	Test conditions on request
Bending radius, fixed cable installation	[mm]	≥30	≥24	≥23
Bending radius, flexible cable installation	[mm]	≥75	≥39	≥37
Cable composition	[mm <sup>2</sup> ]	10x0.34	10x0.25	10x0.25
Nominal conductor cross section	[mm <sup>2</sup> ]	0.34	0.25	0.25

Materials		KMP3	KMP4-...-PVC	KMP4-...-PUR
Type				
Housing		PA	PA	PA
Housing colour		–	Black	Black
Seals		NBR	NBR	NBR
Pin contacts		Gold-plated copper alloy	Gold-plated copper alloy	Gold-plated copper alloy
Cable sheath		PVC	PVC	TPE-U(PUR)
Cable sheath colour		Grey	Grey	Grey
Note on materials		RoHS-compliant	RoHS-compliant	RoHS-compliant

Operating and environmental conditions		KMP3	KMP4-...-PVC	KMP4-...-PUR
Type				
Ambient temperature	[°C]	–25 ... +70	–40 ... +70	–40 ... +70
Ambient temperature with flexible cable installation	[°C]	–5 ... +70	–5 ... +70	–40 ... +70
Storage temperature	[°C]	–25 ... +75	–25 ... +75	–25 ... +75
Degree of protection		IP65	IP65	IP65
Note on degree of protection		In assembled state	In assembled state	In assembled state
CE marking (see declaration of conformity) <sup>1)</sup>		To EU RoHS Directive		
UKCA marking (see declaration of conformity) <sup>1)</sup>		To UK RoHS regulations		
PWIS conformity		VDMA24364-B2-L		

1) Additional information: [www.festo.com/catalogue/NEBV](http://www.festo.com/catalogue/NEBV) → Support/Downloads.

Circuitry (socket view)		Pin	Wire colour <sup>1)</sup>
	1	WH	
	2	GN	
	3	YE	
	4	GY	
	5	PK	
	6	BU	
	7	RD	
	8	VT	
	9	BK	
–	BN		

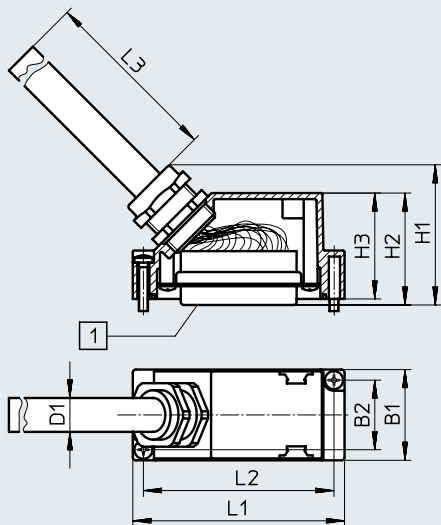
1) To IEC 757

Datasheet

Dimensions

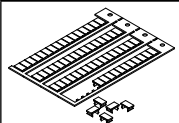
Download CAD data → [www.festo.com](http://www.festo.com)

[1] Sub-D socket, 9-pin



Type	B1	B2	D1	H1	H2	H3	L1	L2	L3
KMP3-9P-08-5	30	23	9.5	43	37	35	50	43	5000
KMP3-9P-08-10									10000
KMP3-9P-08-X									1000 ... 99000
KMP4-9P-5-PVC	30	23	8.3	43	37	35	50	43	5000
KMP4-9P-10-PVC			10000						
KMP4-9P-5-PUR			7.7						5000
KMP4-9P-10-PUR			7.7						10000

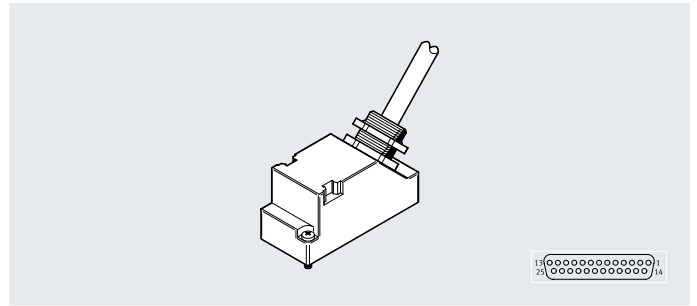
Ordering data						
Electrical connection	Cable composition	Cable sheath material	Cable length [m]	Weight [g]	Part no.	Type
Sub-D socket, 9-pin	10x0.34 mm <sup>2</sup>	PVC	5	425	<b>18698</b>	<b>KMP3-9P-08-5</b>
			10	814	<b>18579</b>	<b>KMP3-9P-08-10</b>
			1 ... 99	-	<b>18697</b>	<b>KMP3-9P-08-X</b>
	10x0.25 mm <sup>2</sup>	PVC	5	413	<b>193012</b>	<b>KMP4-9P-5-PVC</b>
			10	791	<b>193013</b>	<b>KMP4-9P-10-PVC</b>
		TPE-U(PUR)	5	378	<b>193014</b>	<b>KMP4-9P-5-PUR</b>
			10	723	<b>193015</b>	<b>KMP4-9P-10-PUR</b>

Ordering data – Accessories				
			Part no.	Type
	Inscription labels in frames, pack of 64	6x10 mm	<b>18576</b>	<b>IBS-6x10</b>

## Datasheet

### Connecting cable KMP3 KMP4

- Connecting cable for multi-pin plug connection for valve terminal CPV
- Pre-assembled at one end
- Angled socket
- Cable lengths 2.5 m, 5 m or 1 ... 99 m
- 18 and 25 wires
- Sub-D 25-pin



General technical data			
Type	KMP3	KMP4-...-PVC	KMP4-...-PUR
Based on standard	DIN 41652		
Cable designation	With accessories		
Contact durability	50		
<b>Technical data – Electrical connection 1</b>			
Function	Field device side	Field device side	Field device side
Connection type	Socket	Socket	Socket
Cable outlet	Angled	Angled	Angled
Design	Rectangular	Rectangular	Rectangular
Connection technology	Sub-D	Sub-D	Sub-D
Number of pins/wires	25	25	25
Assigned pins/wires	18	25	25
Type of mounting	2x screw M3	2x screw M3	2x screw M3
<b>Technical data – Electrical connection 2</b>			
Function	Controller side	Controller side	Controller side
Connection type	Cable	Cable	Cable
Connection technology	Open end	Open end	Open end
Number of pins/wires	18	25	25
Assigned pins/wires	18	25	25
Wire ends	Cut off bluntly	Cut off bluntly	Cut off bluntly
<b>Technical data – Electrics</b>			
Nominal operating voltage	[V DC]	24	
Operating voltage range	[V DC]	0 ... 30	
Acceptable current load at 40°C	[A]	3	
Surge resistance	[kV]	1	
Pollution degree		3	

## Datasheet

<b>Technical data – Cable</b>				
Type		KMP3	KMP4-...-PVC	KMP4-...-PUR
Cable diameter	[mm]	8.5	10.4	9.8
Cable diameter tolerance	[mm]	±0.5	±0.5	±0.4
Cable characteristic		Standard	Suitable for energy chains	Suitable for energy chains
Cable test conditions		Test conditions on request	Test conditions on request	Test conditions on request
Bending radius, fixed cable installation	[mm]	≥45	≥33	≥31
Bending radius, flexible cable installation	[mm]	≥90	≥55	≥51
Cable composition	[mm <sup>2</sup> ]	18x0.34	25x0.25	25x0.25
Nominal conductor cross section	[mm <sup>2</sup> ]	0.34	0.25	0.25

<b>Materials</b>				
Type		KMP3	KMP4-...-PVC	KMP4-...-PUR
Housing		PA	PA	PA
Housing colour		–	Black	Black
Seals		NBR	NBR	NBR
Pin contacts		Gold-plated copper alloy	Gold-plated copper alloy	Gold-plated copper alloy
Cable sheath		PVC	PVC	TPE-U(PUR)
Cable sheath colour		Grey	Grey	Grey
Note on materials		RoHS-compliant	RoHS-compliant	RoHS-compliant

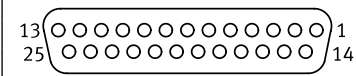
<b>Operating and environmental conditions</b>				
Type		KMP3	KMP4-...-PVC	KMP4-...-PUR
Ambient temperature	[°C]	–25 ... +70	–40 ... +70	–40 ... +70
Ambient temperature with flexible cable installation	[°C]	–5 ... +70	–5 ... +70	–40 ... +70
Storage temperature	[°C]	–25 ... +75	–25 ... +75	–25 ... +75
CE marking (see declaration of conformity) <sup>1)</sup>		To EU RoHS Directive		
UKCA marking (see declaration of conformity) <sup>1)</sup>		To UK RoHS regulations		
PWIS conformity		VDMA24364-B2-L		
Degree of protection		IP65	IP65	IP65
Note on degree of protection		In assembled state	In assembled state	In assembled state

<sup>1)</sup> Additional information: [www.festo.com/catalogue/...](http://www.festo.com/catalogue/...) → Support/Downloads.



Datasheet

Circuitry (socket view)



Pin	Wire colour <sup>1)</sup>	
	KMP3	KMP4
1	WH	WH
2	GN	GN
3	YE	YE
4	GY	GY
5	PK	PK
6	BU	BU
7	RD	RD
8	VT	VT
9	GY PK	GY PK
10	RD BU	RD BU
11	GN WH	GN WH
12	BN GN	BN GN
13	YE WH	YE WH
14	BN YE	BN YE
15	GY WH	GY WH
16	BN GY	BN GY
17	-	WH PK
18	-	BN PK
19	-	BU WH
20	-	BN BU
21	-	RD WH
22	-	BN RD
23	-	BK WH
24	BN	BN
25	BK	BK

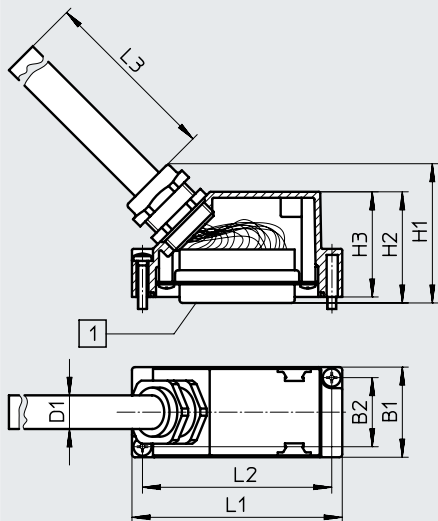
1) To IEC 757

Datasheet

Dimensions

Download CAD data → [www.festo.com](http://www.festo.com)

[1] Sub-D socket, 25-pin

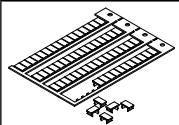


Type	B1	B2	D1	H1	H2	H3	L1	L2	L3
KMP3-25P-16-5	30	23	12	47	37	35	70	63	5000
KMP3-25P-16-10									10000
KMP3-25P-16-X									1000 ... 99000
KMP4-25P-5-PVC	30	23	11.2	47	37	35	70	63	5000
KMP4-25P-10-PVC			10000						
KMP4-25P-5-PUR			10.8						5000
KMP4-25P-10-PUR			10000						

Ordering data

Electrical connection	Cable composition	Cable sheath material	Cable length [m]	Weight [g]	Part no.	Type
Sub-D socket, 25-pin	18x0.34 mm <sup>2</sup>	PVC	5	672	<b>18624</b>	<b>KMP3-25P-16-5</b>
			10	1303	<b>18625</b>	<b>KMP3-25P-16-10</b>
			1 ... 99	-	<b>18699</b>	<b>KMP3-25P-16-X</b>
	25x0.25 mm <sup>2</sup>	PVC	5	854	<b>193016</b>	<b>KMP4-25P-5-PVC</b>
			10	1657	<b>193017</b>	<b>KMP4-25P-10-PVC</b>
		TPE-U(PUR)	5	702	<b>193018</b>	<b>KMP4-25P-5-PUR</b>
			10	1617	<b>193019</b>	<b>KMP4-25P-10-PUR</b>

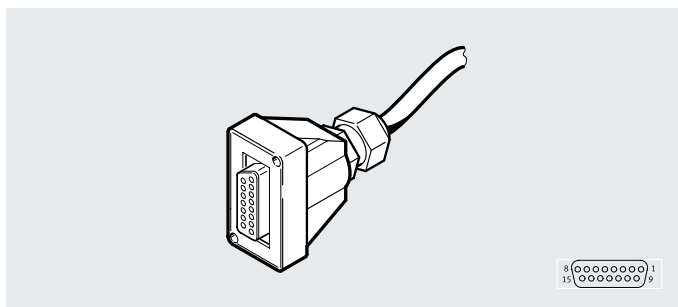
Ordering data – Accessories

			Part no.	Type
	Inscription labels in frames, pack of 64	6x10 mm	<b>18576</b>	<b>IBS-6x10</b>

## Datasheet

### Connecting cable KMPV-SUB

- Connecting cable for multi-pin plug distributor MPV-E/A-...-M8
- Pre-assembled at one end
- Straight socket
- Cable lengths 5 m or 10 m
- 15 wires
- Sub-D 15-pin



#### Technical data – Electrical connection 1

Connection type	Socket
Connection technology	Sub-D
Number of pins/wires	15
Type of mounting	Via through-hole

#### Technical data – Electrics

Operating voltage range	[V DC]	≤30
Acceptable current load at 40°C	[A]	2.8

#### Technical data – Cable

Cable diameter	[mm]	8.2
Cable composition	[mm <sup>2</sup> ]	15x0.25

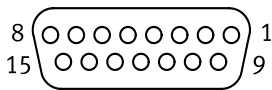
#### Materials

Housing	Reinforced PBT
Pin contacts	Gold-plated copper alloy
Cable sheath	PUR

#### Operating and environmental conditions

Ambient temperature	[°C]	-20 ... +80
Degree of protection		IP65

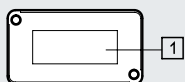
## Datasheet

Circuitry (socket view)	Pin	Wire colour <sup>1)</sup>
	1	WH
	2	BN
	3	GN
	4	YE
	5	GY
	6	PK
	7	BU
	8	RD
	9	BK
	10	VT
	11	GY PK
	12	RD BU
	13	GN WH
	14	BN GN
	15	YE WH

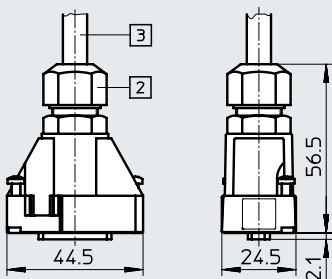
1) To IEC 757

### Dimensions

Download CAD data → [www.festo.com](http://www.festo.com)



- [1] Socket, Sub-D, 15-pin
- [2] Cable connector PG9
- [3] Cable length 5 m or 10 m



### Ordering data

Electrical connection	Cable length [m]	Weight [g]	Part no.	Type
Sub-D socket, 15-pin	5	300	<b>177673</b>	<b>KMPV-SUB-D-15-5</b>
	10	400	<b>177674</b>	<b>KMPV-SUB-D-15-10</b>