

Guide axes ELFC, without drive

FESTO



Characteristics

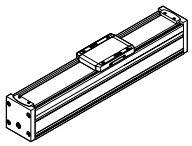
At a glance

- Driveless linear units with guide and freely movable slide
- The guide axis is designed to provide force and torque support in multi-axis applications
- Higher torsional resistance
- Reduced vibrations with dynamic loads
- Recommended for production systems for manufacturing lithium-ion batteries
- Drive axis and guide axis can be positioned adjacent to or above one another
- Two position sensing functions can be selected:
 - With magneto-resistive proximity switches SMT-8M (detection via integrated magnets)
 - With inductive proximity switches SIES-8M (detection via switch lug EAPM)

Characteristic values of the axes

The specifications shown in the table are maximum values.

The precise values for each of the variants can be found in the relevant data sheet in the catalogue.

Design	Can be combined with	Size	Working stroke [mm]	Guide characteristics Forces and torques				
				Fy [N]	Fz [N]	Mx [Nm]	My [Nm]	Mz [Nm]
Recirculating ball bearing guide								
	Toothed belt axis ELGC-TB-KF Spindle axis ELGC-BS-KF	32	100, 200, 300, 400, 500, 600, 800	356	356	1.3	1.1	1.1
		45	100, 200, 300, 400, 500, 600, 800, 1000, 1200, 1500	880	880	5.5	4.7	4.7
		60	100, 200, 300, 400, 500, 600, 800, 1000, 1200, 1500, 1800, 2000	3641	3641	29.1	31.8	31.8
		80	100, 200, 300, 400, 500, 600, 800, 1000, 1200, 1500, 1800, 2000	5543	5543	59.8	56.2	56.2

Guide axes and the corresponding axes

Guide axis EGC-FA



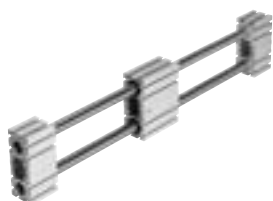
- Can be combined with:
 - Toothed belt axis EGC-TB
 - Spindle axis EGC-BS
- For size 70 ... 185
- Load capacity up to max. 15200 N or 1157 Nm

Guide axis ELFA



- Can be combined with:
 - Toothed belt axis ELGA-TB-KF, ELGA-TB-RF
 - Spindle axis ELGA-BS-KF
- For size 70 ... 120
- Load capacity up to max. 6890 N or 680 Nm

Guide axis ELFR



- Can be combined with:
 - Toothed belt axis ELGR
- For size 35 ... 55
- Load capacity up to max. 300 N or 124 Nm

Guide axis DGC-FA



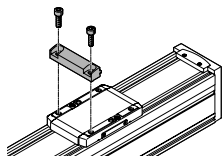
- Can be combined with:
 - Linear drive DGC-KF
- For size 8 ... 63
- Load capacity up to max. 15200 N or 1157 Nm

Characteristics

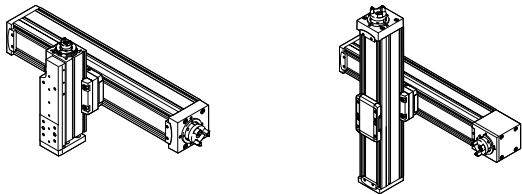
Matrix showing combinations between axis ELGC/ELGS-TB, ELGC/ELGS-BS, mini slide EGSC/EGSS-BS, electric cylinder EPCC/EPCS-BS and guide axis ELFC
Mounting options with profile mounting and via angle kit

	Size	Assembly axis ELGC-BS/-TB; ELFC; EGSC-BS; EPCC-BS; ELGS-BS/-TB; EGSS-BS; EPCS-BS			
		25	32	45	60
Base axis	32	■	–	–	–
ELGC-BS/-TB; ELFC; ELGS-BS/-TB	45	–	■	–	–
	60	–	–	■	–
	80	–	–	–	■

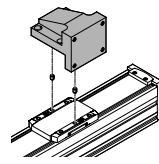
With profile mounting EAHF-L2-...-P-D...



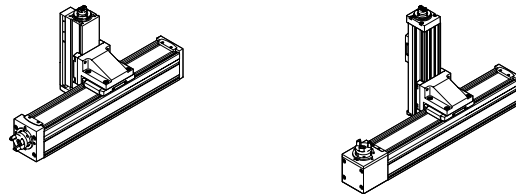
- Mounting option: base axis with one-size-down assembly axis



With angle kit EHAA-D-L2-...-AP



- Mounting option: base axis rotated through 90° with one-size-down assembly axis



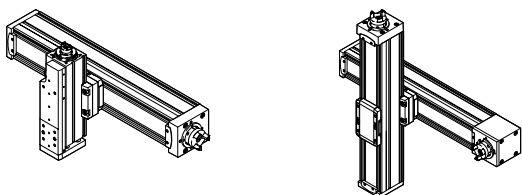
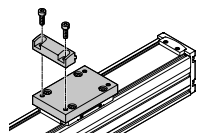
Matrix showing combinations between axis ELGC/ELGS-TB, ELGC/ELGS-BS, mini slide EGSC/EGSS-BS, electric cylinder EPCC/EPCS-BS and guide axis ELFC
Assembly options with adapter kit or direct mounting

	Size	Assembly axis ELGC-BS/-TB; ELFC; EGSC-BS; EPCC-BS; ELGS-BS/-TB; EGSS-BS; EPCS-BS				
		25	32	45	60	80
Base axis	32	■	–	–	–	–
ELGC-BS/-TB; ELFC; ELGS-BS/-TB	45	–	■	–	–	–
	60	–	–	■	–	–
	80	–	–	–	■	–

	Size	Assembly axis EGSC-BS; EGSS-BS			
		25	32	45	60
Base axis	25	■	–	–	–
EGSC-BS; EGSS-BS	32	–	■	–	–
	45	–	–	■	–
	60	–	–	–	■

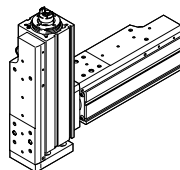
With adapter kit EHAA-D-L2

- Mounting option: base axis with the same size assembly axis
- Mounting option: base axis with height adjustment for one-size-down assembly axis
- When motors are mounted using parallel kits, this may lead to interfering contours. In this case, the adapter plate is required for height compensation

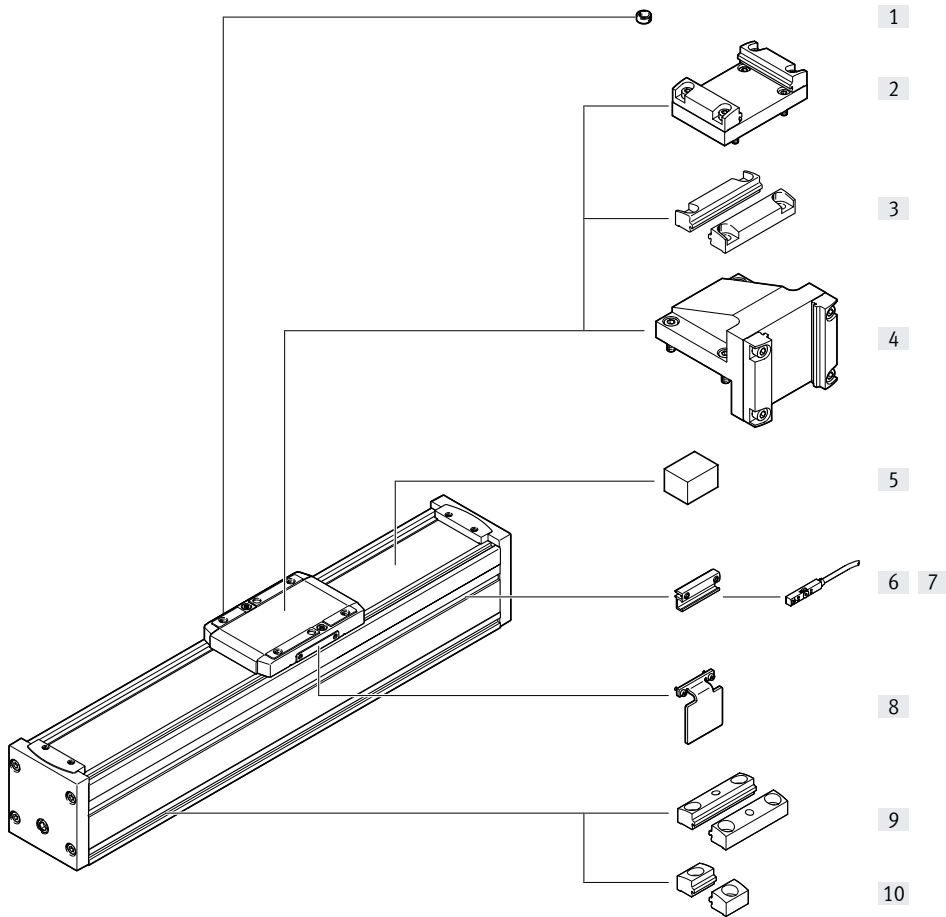


With direct mounting

- Mounting option: base axis with the same size assembly axis



Peripherals overview



Peripherals overview

Accessories		
Type	Description	→ Page/Internet
[1] Centring pin/sleeve ZBS/ZBH	For centring loads and attachments on the slide	22
[2] Adapter kit EHAA-D-L2	<ul style="list-style-type: none"> • For axis/axis mounting with adapter plate • Mounting option: base axis with same size or one-size-down assembly axis • When motors are mounted using parallel kits, this may lead to interfering contours. In this case, the adapter plate is required for height compensation (download CAD data → www.festo.com) 	19
[3] Profile mounting EAHF-L2-...-P-D...	<ul style="list-style-type: none"> • For axis/axis mounting without adapter plate • Mounting option: base axis with one-size-down assembly axis 	18
[4] Angle kit EHAA-D-L2-...-AP	For mounting one-size-down vertical axes (assembly axes) on base axes with mounting position "slide at top"	20
[5] Clamping element EADTS-L5-32	Tool for re-tensioning the cover strip	22
[6] Sensor bracket EAPM-L2-SH	For mounting the proximity switches on the axis. The proximity switches can only be mounted using the sensor bracket	21
[7] Proximity switches SIES-8M	Inductive proximity switches, for T-slot	22
Proximity switches SMT-8M	Magnetic proximity switches, for T-slot	22
[8] Switch lug EAMP-L2-...-SLS	For sensing the slide position in conjunction with inductive proximity switches SIES-8M	21
[9] Profile mounting EAHF-L2-...-P	For mounting the axis on the side of the profile. The profile mounting can be attached to the mounting surface using the drilled hole in the centre	17
[10] Profile mounting EAHF-L2-...-PS	For mounting the axis on the side of the profile	16

Type codes

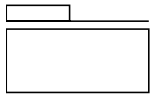
001	Series
ELFC	Guide axis, without drive



002	Guide
KF	Recirculating ball bearing guide

003	Size
32	32
45	45
60	60
80	80

004	Stroke
100	100
200	200
300	300
400	400
500	500
600	600
800	800
1000	1000
1200	1200
1500	1500
1800	1800
2000	2000

Data sheet



-  Size
32 ... 80
-  Stroke length
100 ... 2000 mm



General technical data					
Size		32	45	60	80
Design		Guide			
Guide		Recirculating ball bearing guide			
Mounting position		Any			
Working stroke	[mm]	100, 200, 300, 400, 500, 600, 800	100, 200, 300, 400, 500, 600, 800, 1000, 1200, 1500	100, 200, 300, 400, 500, 600, 800, 1000, 1200, 1500, 1800, 2000	100, 200, 300, 400, 500, 600, 800, 1000, 1200, 1500, 1800, 2000
Max. displacement force	[N]	2	4.5	6.75	15
Max. speed	[m/s]	1.5			
Max. acceleration	[m/s ²]	15			
Position sensing		Magneto-resistive, inductive			

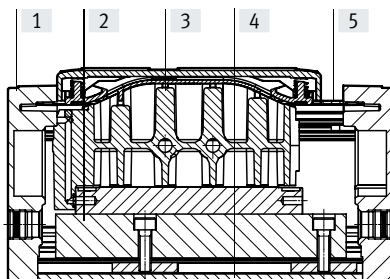
Operating and environmental conditions	
Ambient temperature	[°C] 0 ... +50
Degree of protection	IP40
Duty cycle	[%] 100
Cleanroom class	Class 7 according to ISO 14644-1
Maintenance interval	Life-time lubrication

Weight [g]					
Size		32	45	60	80
Basic weight with 0 mm stroke ¹⁾		168	384	1029	1905
Additional weight per 10 mm stroke		11	23	43	73
Moving mass		61	144	407	815

1) Including slide

Materials

Sectional view

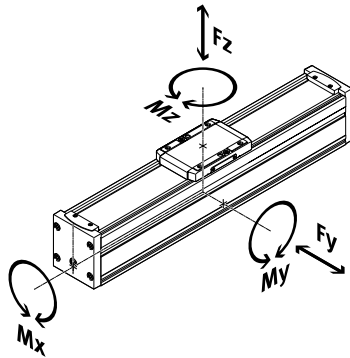


Axis		
[1]	End cap	Painted die-cast aluminium
[2]	Guide	Steel
[3]	Slide	Die-cast aluminium
[4]	Profile	Anodised wrought aluminium alloy
[5]	Cover strip	High-alloy stainless steel
Note on materials		RoHS-compliant
PWIS conformity		VDMA24364 zone III
Suitable for the production of lithium-ion batteries		Metals with more than 1% copper, zinc or nickel by mass are excluded from use. Exceptions are nickel in steel, chemically nickel-plated surfaces, printed circuit boards, cables, electrical plug connectors and coils

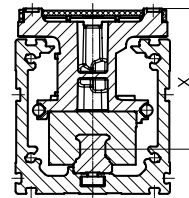
Data sheet

Characteristic load values

The indicated forces and torques refer to the centre of the guide. The point of application of force is the point where the centre of the guide and the longitudinal centre of the slide intersect. These values must not be exceeded during dynamic operation. Special attention must be paid to the deceleration phase.



Distance from the slide surface to the centre of the guide



Max. permissible forces and torques on the slide (strength limits)

Size		32	45	60	80
$F_{y_{max}}$	[N]	150	300	600	900
$F_{z_{max}}$	[N]	300	600	1800	2700
$M_{x_{max}}$	[Nm]	1.3	5.5	29.1	59.8
$M_{y_{max}}$	[Nm]	1.1	4.7	31.8	56.2
$M_{z_{max}}$	[Nm]	1.1	4.7	31.8	56.2

Distance from the slide surface to the centre of the guide

Size		32	45	60	80
Dimension x	[mm]	31.4	42.8	54.6	72.5

Max. permissible forces and torques for the guide calculation, for a service life of 5000 km or 5×10^6 cycles

Size		32	45	60	80
$F_{y_{max}}$	[N]	356	880	3641	5543
$F_{z_{max}}$	[N]	356	880	3641	5543
$M_{x_{max}}$	[Nm]	1.3	5.5	29.1	59.8
$M_{y_{max}}$	[Nm]	1.1	4.7	31.8	56.2
$M_{z_{max}}$	[Nm]	1.1	4.7	31.8	56.2

Note

For a guide system to have a service life of 5000 km, the load comparison factor must have a value of $f_v \leq 1$, based on the maximum permissible forces and torques for a service life of 5000 km.

Calculating the load comparison factor: if the axis is subjected to two or more of the indicated forces and torques simultaneously, the following equation must be satisfied in addition to the indicated maximum loads:

Calculating the load comparison factor:

$$f_v = \frac{|F_{y1}|}{F_{y2}} + \frac{|F_{z1}|}{F_{z2}} + \frac{|M_{x1}|}{M_{x2}} + \frac{|M_{y1}|}{M_{y2}} + \frac{|M_{z1}|}{M_{z2}} \leq 1$$

F_1/M_1 = dynamic value

F_2/M_2 = maximum value

Data sheet

Calculating the service life

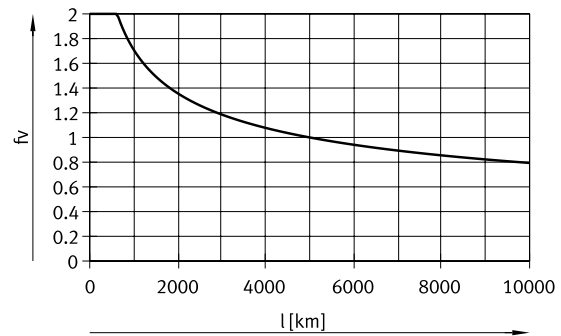
The service life of the guide depends on the load. To be able to make a statement as to the service life of the guide, the graph below plots the load comparison factor f_v against the service life.

These values are only theoretical. You must consult your local Festo contact for a load comparison factor f_v greater than 1.

Load comparison factor f_v as a function of service life l

Example:

A user wants to move an X kg load. Using the formula (→ page 8) gives a value of 1.5 for the load comparison factor f_v . According to the graph, the guide would have a service life of approx. 1500 km. Reducing the acceleration reduces the M_z and M_y values. A load comparison factor f_v of 1 now gives a service life of 5000 km.



Comparison of the characteristic load values for 5000 km with dynamic forces and torques of recirculating ball bearing guides

The characteristic load values of bearing guides are standardised to ISO and JIS using dynamic and static forces and torques. These forces and torques are based on an expected service life of the guide system of 100 km according to ISO or 50 km according to JIS.

As the characteristic load values are dependent on the service life, the maximum permissible forces and torques for a 5000 km service life cannot be compared with the dynamic forces and torques of bearing guides to ISO/JIS.

To make it easier to compare the guide capacity of guide axes ELFC with bearing guides, the table below lists the theoretically permissible forces and torques for a calculated service life of 100 km. This corresponds to the dynamic forces and torques to ISO.

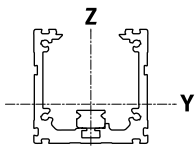
These 100 km values have been calculated mathematically and are only to be used for comparing with dynamic forces and torques to ISO. The drives must not be loaded with these characteristic values as this could damage the axes.

Max. permissible forces and torques for a theoretical service life of 100 km (from a guide perspective only)

Size		32	45	60	80
$F_{y_{max}}$	[N]	1310	3240	13400	20400
$F_{z_{max}}$	[N]	1310	3240	13400	20400
$M_{x_{max}}$	[Nm]	5	20	107	220
$M_{y_{max}}$	[Nm]	4	17	117	207
$M_{z_{max}}$	[Nm]	4	17	117	207

Data sheet

2nd moment of area

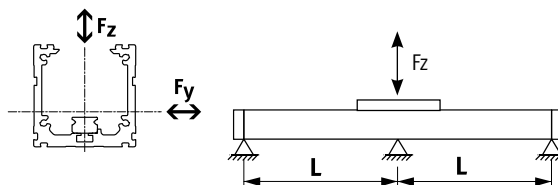


Size		32	45	60	80
I_y	[mm ⁴]	38×10^3	140×10^3	441×10^3	1.37×10^6
I_z	[mm ⁴]	45×10^3	170×10^3	542×10^3	1.66×10^6

Maximum permissible support spacing L (without profile mounting) as a function of force F

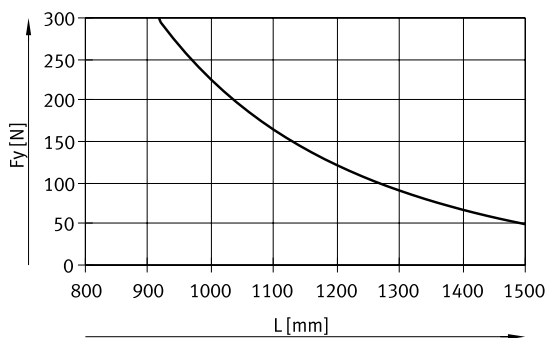
In order to limit deflection in the case of large strokes, the axis may need to be supported.

The following graphs can be used to determine the maximum permissible support spacing L as a function of force F acting on the axis. The deflection is $f = 0.5$ mm.

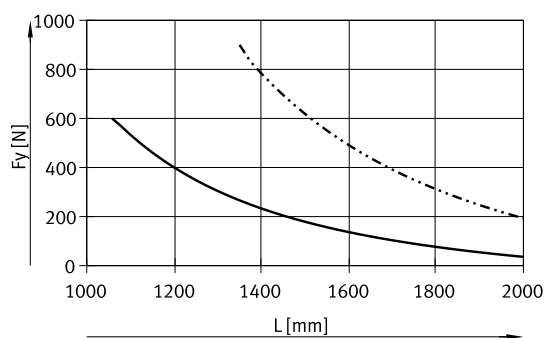


No support spacings are required for size 32.

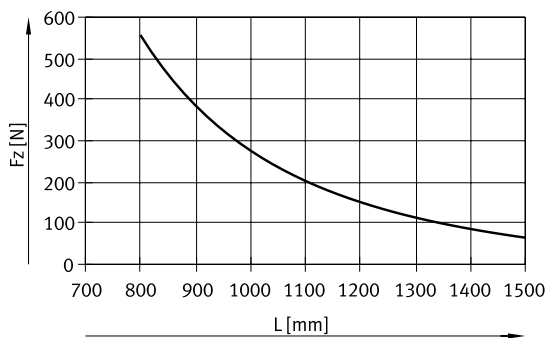
Force F_y
Size 45



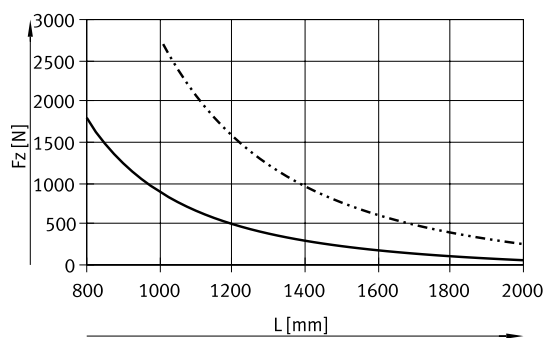
Size 60/80



Force F_z
Size 45



Size 60/80



— ELFC-KF-45

— ELFC-KF-60

- - - - - ELFC-KF-80

Recommended deflection limits

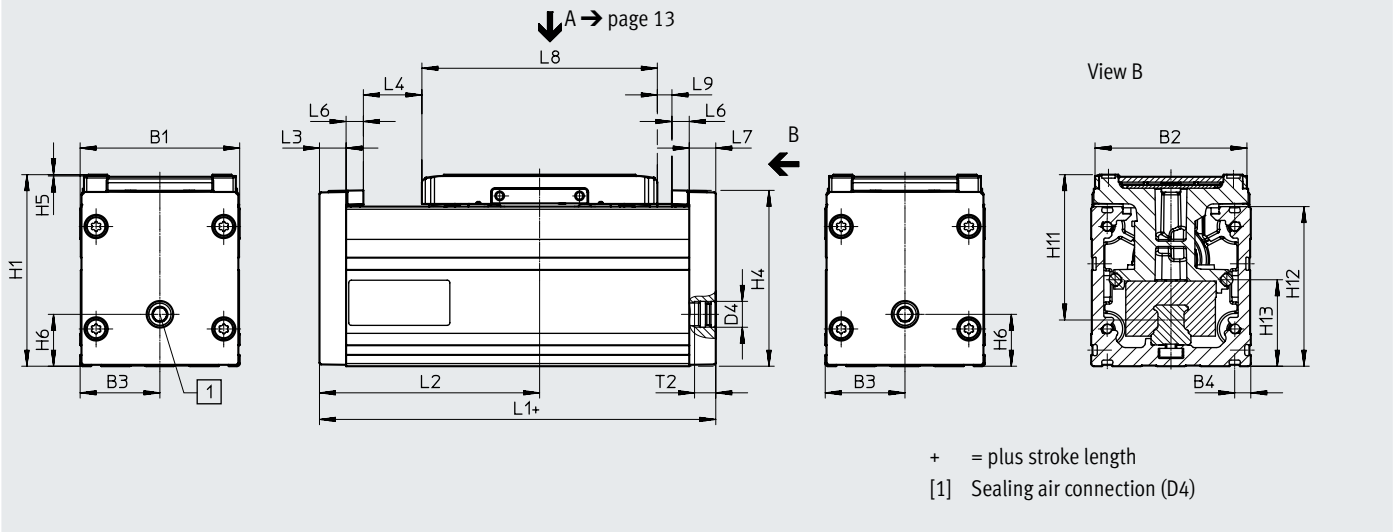
Adherence to the following deflection limits is recommended so as not to impair the functionality of the axes. Greater deformation can result in increased friction, greater wear and reduced service life.

Size	Dynamic deflection (moving load)	Static deflection
32 ... 80	0.05% of the axis length, max. 0.5 mm	0.1% of the axis length

Data sheet

Dimensions

Download CAD data → www.festo.com



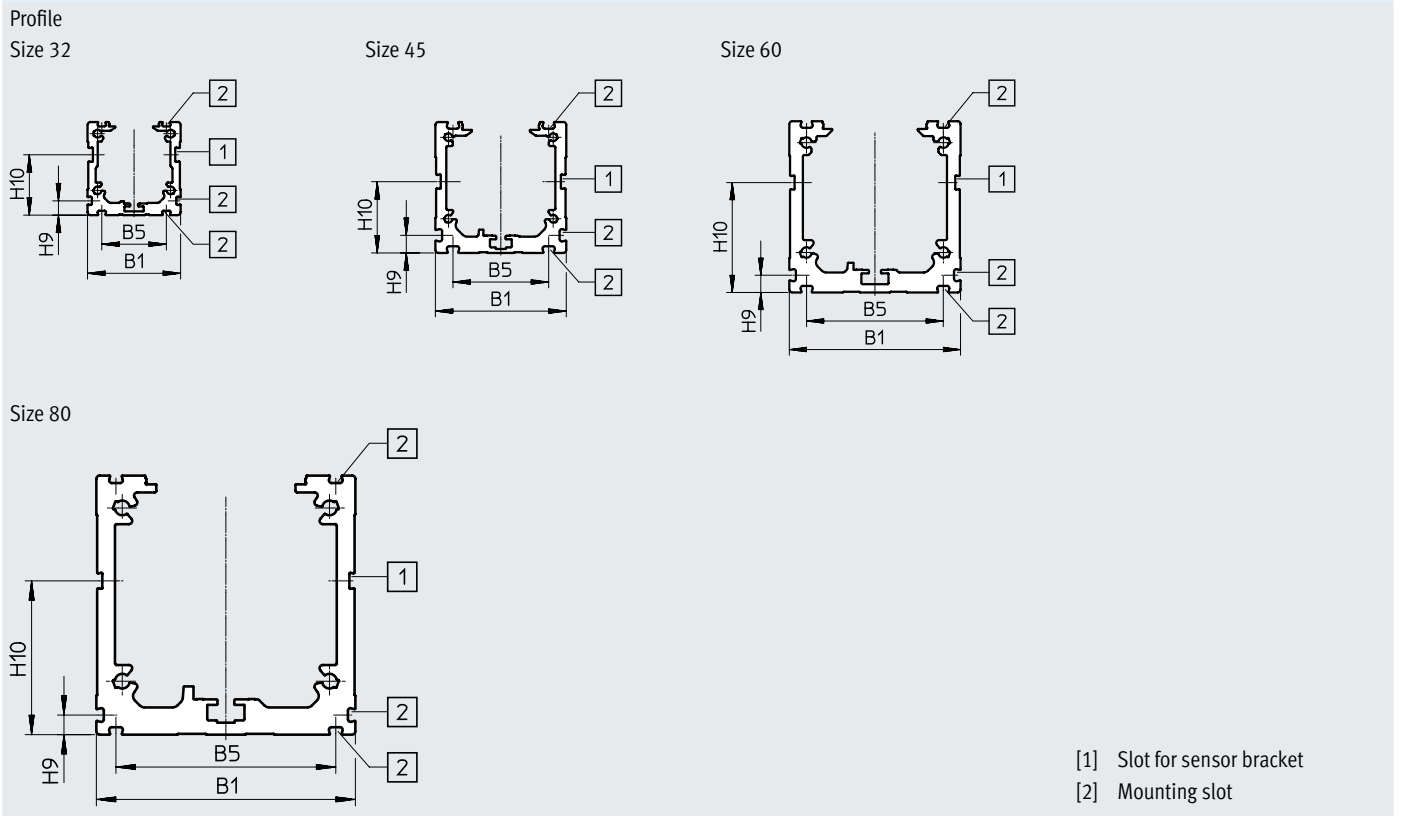
Size	B1	B2	B3	B4	D4	H1	H4	H5	H6	H11	H12
32	32	29.6	16	4.9	M5	38.5	35.6	0.3	8	31.4	32
45	45	42.6	22.5	6.1	G1/8	54	49.6	0.5	12.5	42.8	45
60	60	57.1	30	6.1	G1/8	72	66.1	0.5	19.5	54.6	60
80	80	77.1	40	6.1	G1/8	96	88.1	0.5	20	72.5	80

Size	H13	L1	L2	L3	L4	L6	L7	L8	L9	T2
			min.		min.				min.	
32	13.7	87	40.5	5	1.5	4.5	5	59	7.5	5.5
45	18.5	110.5	48.8	7	0	6.5	7	67.5	7.5	8
60	32.5	130.5	62.3	10	0	6.5	10	88.5	7.5	8
80	41.5	152	73	12	0	6.5	12	106	7.5	8

Data sheet

Dimensions

Download CAD data → www.festo.com



Size	B1	B5	H9	H10
32	32	22.2	4.9	20.8
45	45	32.9	6.1	24.5
60	60	47.9	6.1	38.5
80	80	67.9	6.1	47.5

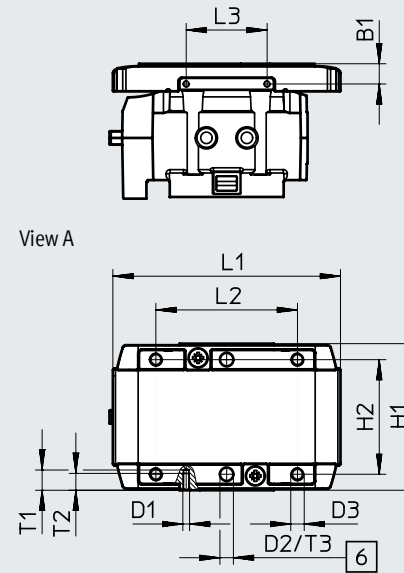
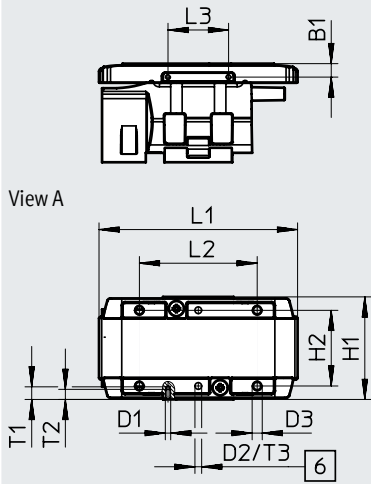
Data sheet

Dimensions

Download CAD data → www.festo.com

Slide
Size 32

Size 45



[6] Drill hole for centring pin ZBS

Size	B1 ±0.1	D1	D2 ∅ H8	D3	H1 ±0.1	H2 ±0.1 For D2 ±0.03
32	4	M1.6	2	M3	30.5	22.5
45	6	M2	4	M4	43.5	34

Size	L1	L2 ±0.1	L3 ±0.1	T1	T2	T3 +0.1	T4 ¹⁾
32	59	35	18	3.8	3	3.1	4 ... 5
45	67.5	42	24	6	5	3.1	6 ... 7.5

1) Recommended screw-in depth

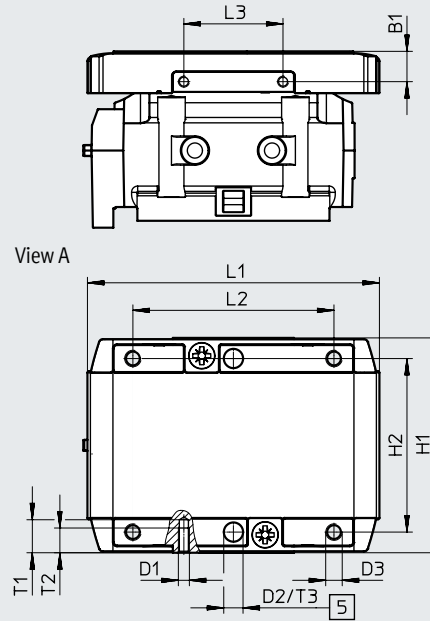
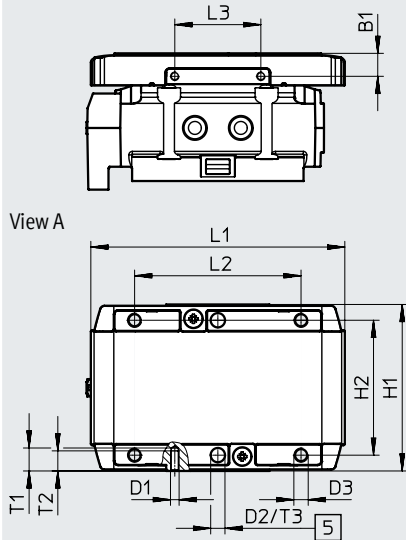
Data sheet

Dimensions

Download CAD data → www.festo.com

Slide
Size 60

Size 80



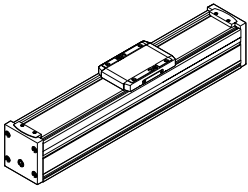
[5] Drill hole for centring sleeve ZBH

Size	B1 ±0.1	D1	D2 ∅ H8	D3	H1 ±0.1	H2 ±0.1 For D2 ±0.03
60	8	M3	5	M5	58	47
80	11	M4	7	M6	78	63

Size	L1	L2 ±0.1	L3 ±0.1	T1	T2	T3 +0.1	T4 ¹⁾
60	88.5	58	30	9	7	1.3	8.5 ... 10
80	106	73	36	12	9	1.6	11 ... 14

1) Recommended screw-in depth

Data sheet

Ordering data	Size	Stroke [mm]	Part no.	Type
	32	100	8062796	ELFC-KF-32-100
		200	8062797	ELFC-KF-32-200
		300	8062798	ELFC-KF-32-300
		400	8062799	ELFC-KF-32-400
		500	8062800	ELFC-KF-32-500
		600	8062801	ELFC-KF-32-600
		800	8062876	ELFC-KF-32-800
	45	100	8062802	ELFC-KF-45-100
		200	8062803	ELFC-KF-45-200
		300	8062804	ELFC-KF-45-300
		400	8062805	ELFC-KF-45-400
		500	8062806	ELFC-KF-45-500
		600	8062807	ELFC-KF-45-600
		800	8062808	ELFC-KF-45-800
		1000	8062809	ELFC-KF-45-1000
		1200	8062810	ELFC-KF-45-1200
	1500	8062811	ELFC-KF-45-1500	
	60	100	8062812	ELFC-KF-60-100
		200	8062813	ELFC-KF-60-200
		300	8062814	ELFC-KF-60-300
		400	8062815	ELFC-KF-60-400
		500	8062816	ELFC-KF-60-500
		600	8062817	ELFC-KF-60-600
		800	8062818	ELFC-KF-60-800
		1000	8062819	ELFC-KF-60-1000
		1200	8062820	ELFC-KF-60-1200
		1500	8062821	ELFC-KF-60-1500
		1800	8062822	ELFC-KF-60-1800
		2000	8062823	ELFC-KF-60-2000
		80	100	8062824
	200		8062825	ELFC-KF-80-200
	300		8062826	ELFC-KF-80-300
	400		8062827	ELFC-KF-80-400
	500		8062828	ELFC-KF-80-500
	600		8062829	ELFC-KF-80-600
800	8062830		ELFC-KF-80-800	
1000	8062831		ELFC-KF-80-1000	
1200	8062832		ELFC-KF-80-1200	
1500	8062833		ELFC-KF-80-1500	
1800	8062834		ELFC-KF-80-1800	
2000	8062835		ELFC-KF-80-2000	

Accessories

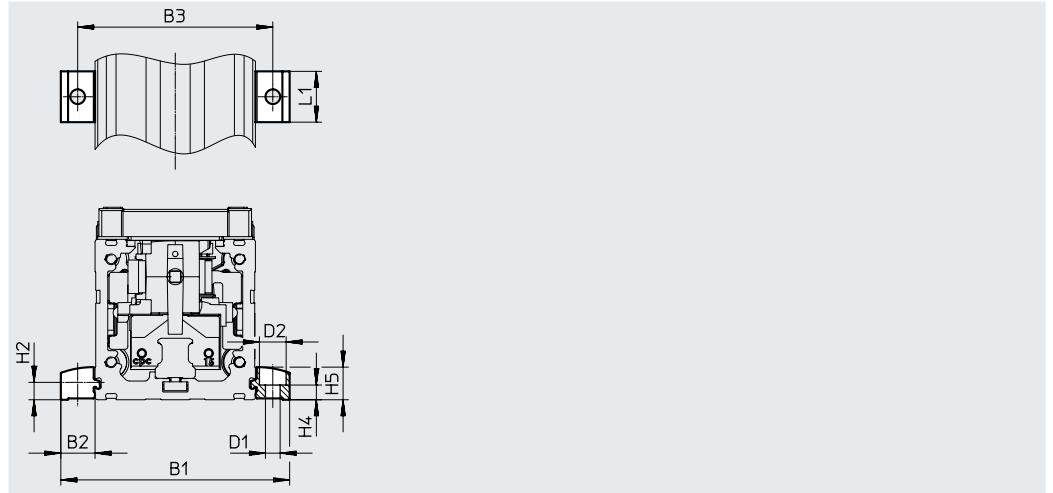
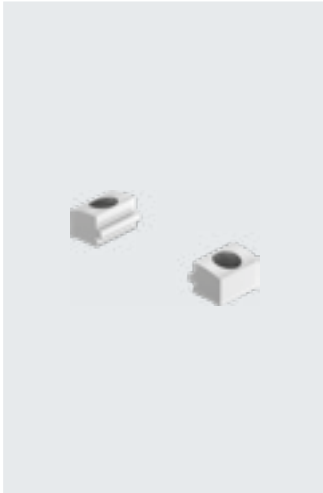
Profile mounting EAHF-L2-...-P-S

Material:

Anodised wrought aluminium alloy

RoHS-compliant

- For mounting the axis on the side of the profile



Dimensions and ordering data

For size	B1	B2	B3	D1 ∅ H13	D2 ∅ H13	H2
32	51.4	9.7	42	4.5	8	4.9
45	70.6	12.8	58	5.5	10	6.1
60	85.6	12.8	73	5.5	10	6.1
80	105.6	12.8	93	5.5	10	6.1

For size	H4 ±0.1	H5	L1	Weight [g]	Part no.	Type
32	4.2	9	19	4	5183153	EAHF-L2-25-P-S
45	5.5	12.2	19	6	5184133	EAHF-L2-45-P-S
60	5.5	12.2	19	6	5184133	EAHF-L2-45-P-S
80	5.5	12.2	19	6	5184133	EAHF-L2-45-P-S

Accessories

Profile mounting EAHF-L2-...-P

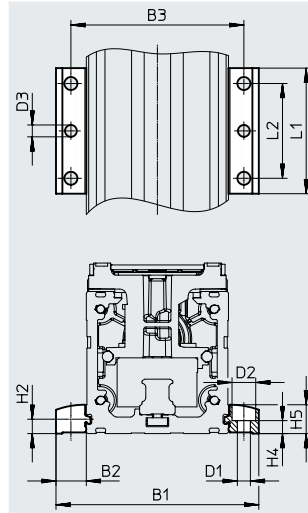
Material:

Anodised wrought aluminium alloy

RoHS-compliant

- For mounting the axis on the side of the profile.

The profile mounting can be attached to the mounting surface using the drilled hole in the centre.



Dimensions and ordering data

For size	B1	B2	B3	D1 ∅ H13	D2 ∅ H13	D3 ∅	H2
32	51.4	9.7	42	4.5	8	4	4.9
45	70.6	12.8	58	5.5	10	5	6.1
60	85.6	12.8	73	5.5	10	5	6.1
80	105.6	12.8	93	5.5	10	5	6.1

For size	H4 ±0.1	H5	L1	L2	Weight [g]	Part no.	Type
32	4.2	9	53	40	19	4835684	EAHF-L2-25-P
45	5.5	12.2	53	40	35	4835728	EAHF-L2-45-P
60	5.5	12.2	53	40	35	4835728	EAHF-L2-45-P
80	5.5	12.2	53	40	35	4835728	EAHF-L2-45-P

Accessories

Profile mounting EAHF-L2-...-P-D...

Material:

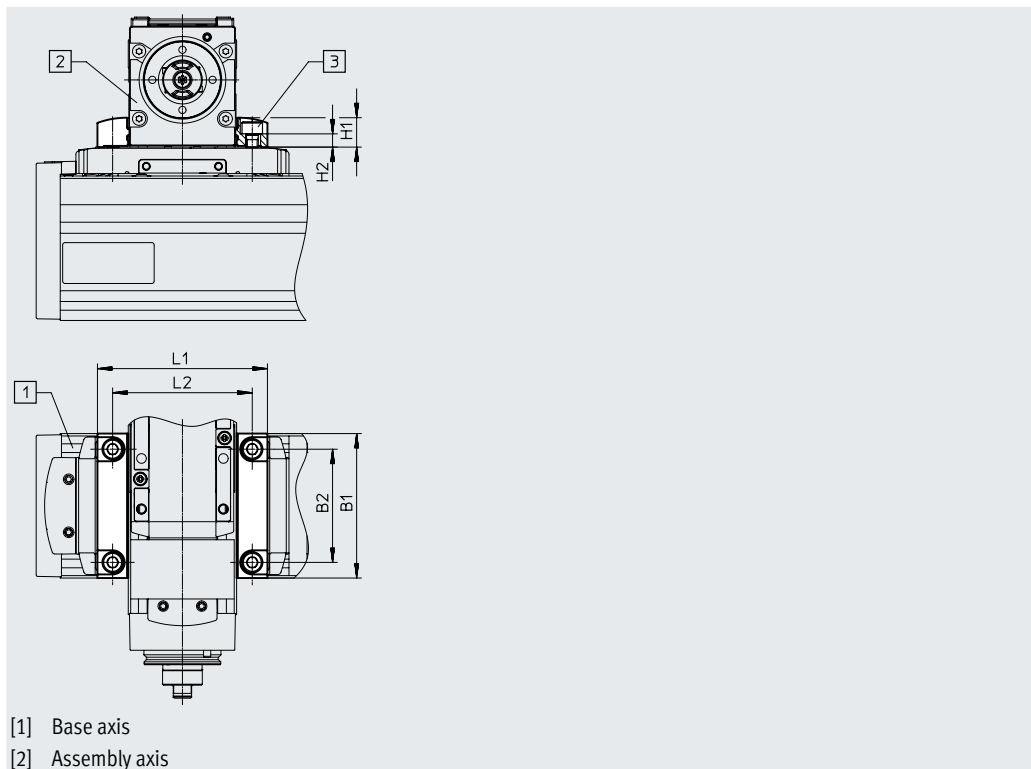
Anodised wrought aluminium alloy

RoHS-compliant

- For axis/axis mounting without adapter plate
- Mounting option: base axis with one-size-down assembly axis

Combination matrix

	Size	[2] Assembly axis ELGC-BS/-TB; ELFC; EGSC-BS			
		25	32	45	60
[1] Base axis ELGC-BS/-TB; ELFC	32	4759753	–	–	–
	45	–	4759748	–	–
	60	–	–	4759739	–
	80	–	–	–	4759726



Dimensions and ordering data

For combination (size)	B1	B2	D1	H1
32/25	32	22.5	M3	9
45/32	45	34	M4	9
60/45	60	47	M5	12.2
80/60	78	63	M6	12.2

For combination (size)	H2 ±0.1	L1	L2	Weight [g]	Part no.	Type
32/25	5.1	44.4	35	16	4759753	EAHF-L2-25-P-D1
45/32	3.7	51.4	42	24	4759748	EAHF-L2-25-P-D2
60/45	5.5	70.6	56	56	4759739	EAHF-L2-45-P-D3
80/60	4.5	85.6	73	77	4759726	EAHF-L2-45-P-D4

Accessories

Adapter kit EHAA-D-L2

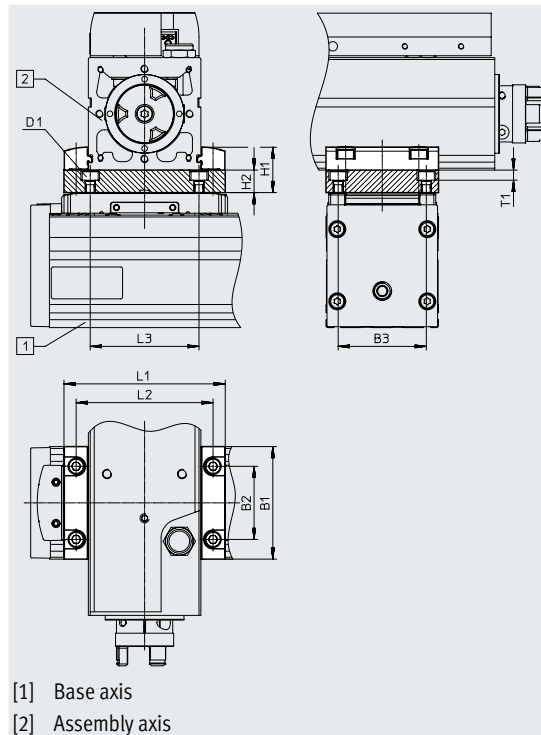
Material:

Anodised wrought aluminium alloy

RoHS-compliant

- For axis/axis mounting with adapter plate
- Mounting option: base axis with same size or one-size-down assembly axis
- When motors are mounted using parallel kits, this may lead to interfering contours. In this case, the adapter plate is required for height compensation (download CAD data → www.festo.com)

Combination matrix		[2] Assembly axis ELGC-BS/-TB; ELFC; EGSC-BS				
Size		25	32	45	60	80
[1] Base axis ELGC-BS/-TB; ELFC	32	8066713		–	–	–
	45	–	8066714		–	–
	60	–	–	8066715		–
	80	–	–	–	8066716	



Dimensions and ordering data												
For combination (size)	B1	B3 ±0.05	D1	H1	H2	L1	L2	L3	T1	Weight [g]	Part no.	Type
32/25	32	22.5	M3	19	10	44.4	35	35	4.2	60	8066713	EHAA-D-L2-32-L2-32
45/32	45	34	M4	19	10	51.4	42	42	5.4	136	8066714	EHAA-D-L2-45-L2-45
60/45	60	47	M5	24.2	12	70.6	58	58	5.4	205	8066715	EHAA-D-L2-60-L2-60
80/60	78	63	M6	24.2	12	85.6	73	73	6.4	315	8066716	EHAA-D-L2-80-L2-80

For combination (size)	B1	B2	B3 ±0.05	D1	H1	H2	L1	L2	L3	T1	Weight [g]	Part no.	Type
32/32	32	14.5	22.5	M3	19	10	52	42	35	4.2	60	8066713	EHAA-D-L2-32-L2-32
45/45	45	32	34	M4	22.2	10	71	58	42	5.4	136	8066714	EHAA-D-L2-45-L2-45
60/60	60	39	47	M5	24.2	12	86	73	58	5.4	205	8066715	EHAA-D-L2-60-L2-60
80/80	78	63	63	M6	24.2	12	106	93	73	6.4	315	8066716	EHAA-D-L2-80-L2-80

Accessories

Angle kit EHAA-D-L2-...-AP

Material:

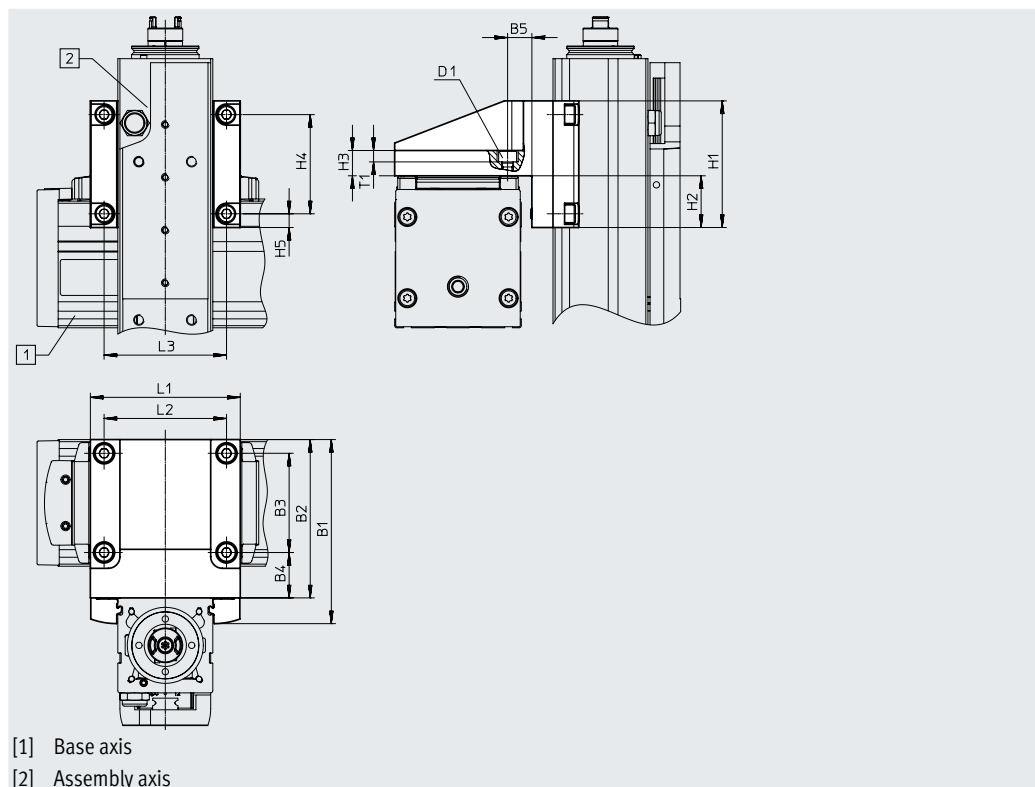
Anodised wrought aluminium alloy

RoHS-compliant

- For mounting one-size-down vertical axes (assembly axes) on base axes with mounting position "slide at top"

Combination matrix

	Size	[2] Assembly axis ELGC-BS/-TB; ELFC; EGSC-BS			
		25	32	45	60
[1] Base axis ELGC-BS/-TB; ELFC	32	8066717	-	-	-
	45	-	8066718	-	-
	60	-	-	8066719	-
	80	-	-	-	8066720



Dimensions and ordering data

For combination (size)	B1	B2	B3	B4	B5	D1	H1	H2	H3
32	53	44	22.5	16.8	8.8	M3	32	11	10
45	69	60	34	20.5	11.5	M4	45	17.5	10
60	87.2	75	47	21.5	11.5	M5	60	24.5	12
80	107.2	95	63	23.5	13.5	M6	78	33.5	12

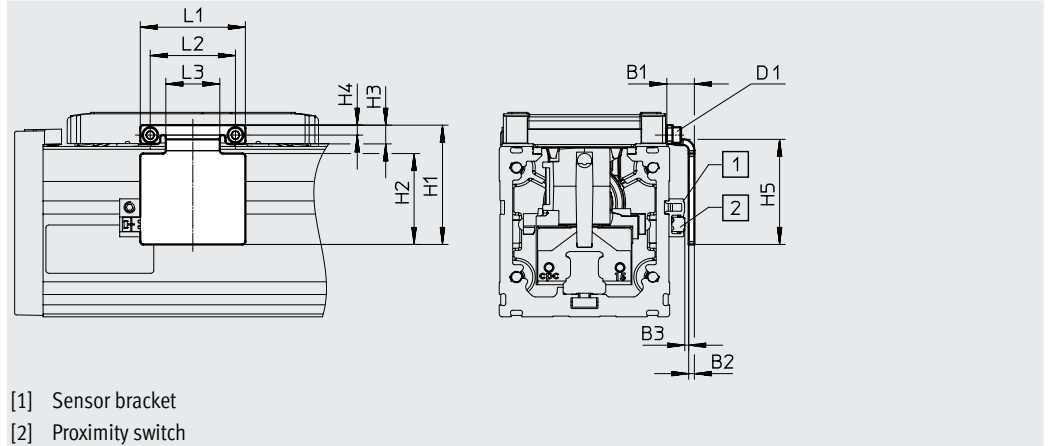
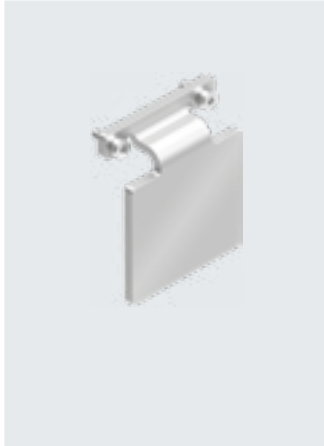
For combination (size)	H4	H5	L1	L2	L3	T1	Weight [g]	Part no.	Type
32	22.5	4.8	45	35	35	4.2	107	8066717	EHAA-D-L2-32-L2-25-AP
45	34	5.5	52	42	42	5.4	222	8066718	EHAA-D-L2-45-L2-32-AP
60	47	6.5	71	58	58	5.4	433	8066719	EHAA-D-L2-60-L2-45-AP
80	63	7.5	86	73	73	6.4	768	8066720	EHAA-D-L2-80-L2-60-AP

Accessories

Switch lug EAPM-L2-SLS

for sensing using inductive proximity switches SIES-8M

Material:
Galvanised steel
RoHS-compliant



[1] Sensor bracket
[2] Proximity switch

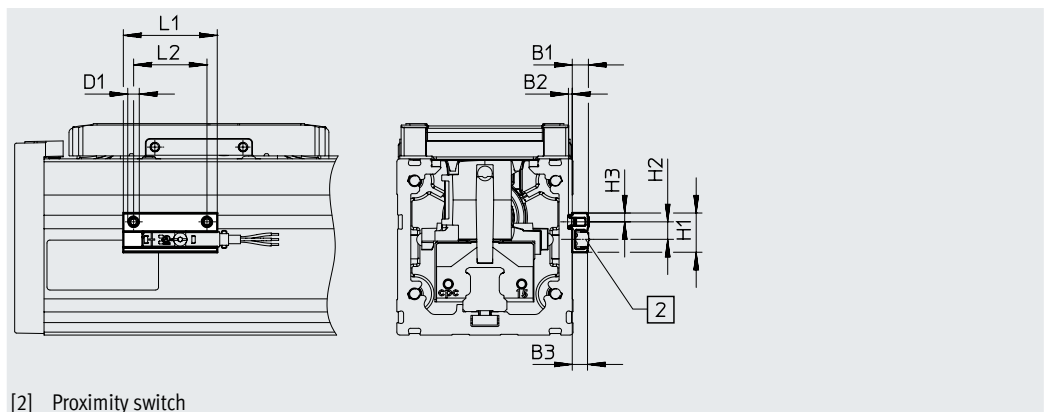
Dimensions and ordering data

For size	B1	B2	B3	D1	H1 ±0.2	H2	H3	H4
32	9.2	2	1.0±0.31	M1.6	27	19	4.3	2.5
45	9.4	2	1.2±0.31	M2	37	28	5.5	3.3
60	9.7	2	1.3±0.31	M3	42	32	6.6	3.5
80	9.5	2	1.1±0.32	M4	53.5	42	8.3	4.5

For size	H5 ±0.2	L1 ±0.2	L2 ±0.15	L3	Weight [g]	Part no.	Type
32	24	22	18	10	10	8067259	EAPM-L2-32-SLS
45	33	30	24	14	18	8067260	EAPM-L2-45-SLS
60	37	37	30	19	27	8067261	EAPM-L2-60-SLS
80	47	44.6	36	23.4	42	8067262	EAPM-L2-80-SLS

Sensor bracket EAPM-L2-SH

Material:
Anodised wrought aluminium alloy
RoHS-compliant





[2] Proximity switch

Dimensions and ordering data

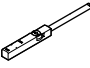
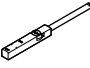
For size	B1	B2	D1	H1	H2
32, 45, 60, 80	5.5	1.3	M4	13.4	6

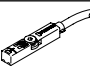
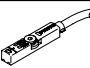
For size	H3	L1	L2	Weight [g]	Part no.	Type
32, 45, 60, 80	3	32	25	4	4759852	EAPM-L2-SH



Accessories

Ordering data					
	For size	Description	Part no.	Type	PU ¹⁾
Centring pin ZBS/centring sleeve ZBH					
	32	For slide	525273	ZBS-2	10
	45		562959	ZBS-4	
	60		8146543	ZBH-5-B	
	80		8146544	ZBH-7-B	
Clamping element EADT					
	32, 45	Tool for re-tensioning the cover strip	8065818	EADT-S-L5-32	1
	60, 80		8058451	EADT-S-L5-70	

1) Packaging unit

Ordering data – Proximity switches for T-slot, inductive						Data sheets → Internet: sies
	Type of mounting	Switching output	Electrical connection	Cable length [m]	Part no.	Type
N/O contact						
	Insertable in the slot from above, flush with the cylinder profile	PNP	Cable, 3-wire	7.5	551386	SIES-8M-PS-24V-K-7.5-OE
			Plug M8x1, 3-pin	0.3	551387	SIES-8M-PS-24V-K-0.3-M8D
		NPN	Cable, 3-wire	7.5	551396	SIES-8M-NS-24V-K-7.5-OE
			Plug M8x1, 3-pin	0.3	551397	SIES-8M-NS-24V-K-0.3-M8D
N/C contact						
	Insertable in the slot from above, flush with the cylinder profile	PNP	Cable, 3-wire	7.5	551391	SIES-8M-PO-24V-K-7.5-OE
			Plug M8x1, 3-pin	0.3	551392	SIES-8M-PO-24V-K-0.3-M8D
		NPN	Cable, 3-wire	7.5	551401	SIES-8M-NO-24V-K-7.5-OE
			Plug M8x1, 3-pin	0.3	551402	SIES-8M-NO-24V-K-0.3-M8D

Ordering data – Proximity switches for T-slot, magneto-resistive						Data sheets → Internet: smt
	Type of mounting	Switching output	Electrical connection	Cable length [m]	Part no.	Type
N/O contact						
	Insertable in the slot from above, flush with the cylinder profile, short design	PNP	Cable, 3-wire	2.5	574335	SMT-8M-A-PS-24V-E-2.5-OE
			Plug M8x1, 3-pin	0.3	574334	SMT-8M-A-PS-24V-E-0.3-M8D
N/C contact						
	Insertable in the slot from above, flush with the cylinder profile, short design	PNP	Cable, 3-wire	7.5	574340	SMT-8M-A-PO-24V-E-2.5-OE

Ordering data – Connecting cables						Data sheets → Internet: nebu
	Electrical connection, left	Electrical connection, right	Cable length [m]	Part no.	Type	
	Straight socket, M8x1, 3-pin	Cable, open end, 3-wire	2.5	541333	NEBU-M8G3-K-2.5-LE3	
			5	541334	NEBU-M8G3-K-5-LE3	
	Angled socket, M8x1, 3-pin	Cable, open end, 3-wire	2.5	541338	NEBU-M8W3-K-2.5-LE3	
			5	541341	NEBU-M8W3-K-5-LE3	